



**EGO400 - Quattro Titanium**

**EM4446 - Enduro**

**DE**

**WOHNWAGEN-FERNVERSCHIEBER**

*Rahmen und Motorinstallationsanleitung*

**NL**

**CARAVAN MOVER OP AFSTAND**

*Handleiding voor de installatie  
van frame en motor*

**FR**

**DÉPLACEUR DE CARAVANE À DISTANCE**

*Guide d'installation du cadre et du moteur*

**ES**

**MOTOR REMOTO PARA CARAVANAS**

*Guía de instalación de la  
estructura y el motor*

**DK**

**FJERNBETJENT CAMPINGVOGN MOVER**

*Vejledning til installation af ramme og motor*

**PL**

**ZDALNE PRZEMIESZCZANIE**

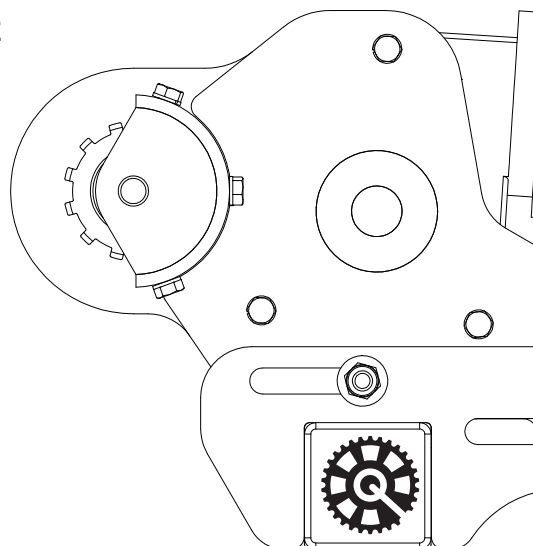
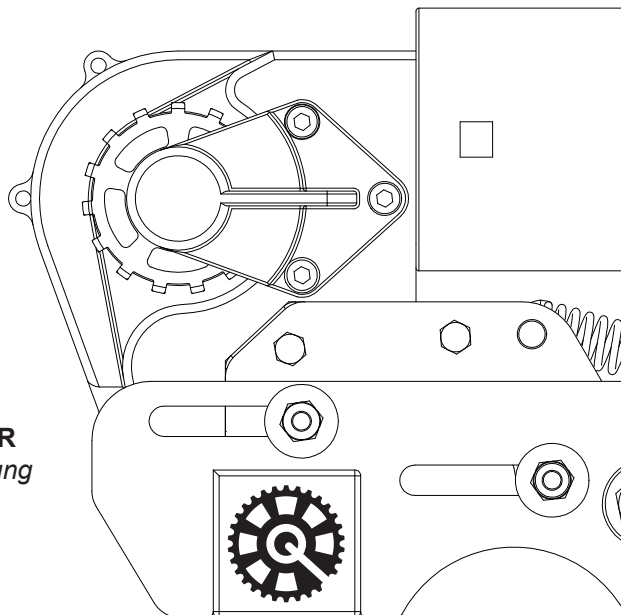
**PRZYCZEPY KEMPINGOWEJ**

*Instrukcja montażu ramy i silnika*

**EN**

**REMOTE CARAVAN MOVER**

Framework and Motor Installation Guide



**Blank page**



- EN** Please visit [www.purpleline.co.uk/caravan-movers](http://www.purpleline.co.uk/caravan-movers) before installation to check for any updates on product specifications, usage, safety or installation instructions.
- DE** Bitte besuchen Sie [www.purpleline.co.uk/caravan-movers](http://www.purpleline.co.uk/caravan-movers) VOR Installation auf Aktualisierungen zu Produktspezifikationen, Nutzung, Sicherheit und Einbauvorschriften zu überprüfen.
- NL** Kunt u terecht op [www.purpleline.co.uk/caravan-movers](http://www.purpleline.co.uk/caravan-movers) vóór de installatie te controleren of er updates over productspecificaties, het gebruik, de veiligheid of de installatie-instructies.
- FR** Se il vous plaît visitez [www.purpleline.co.uk/caravan-movers](http://www.purpleline.co.uk/caravan-movers) avant l'installation pour vérifier les mises à jour sur les spécifications des produits, l'utilisation, la sécurité ou les instructions d'installation.
- ES** Por favor, visite [www.purpleline.co.uk/caravan-movers](http://www.purpleline.co.uk/caravan-movers) ANTES de la instalación para comprobar si hay actualizaciones sobre especificaciones de productos, el uso, la seguridad o las instrucciones de instalación.
- DK** Besøg venligst [www.purpleline.co.uk/caravan-movers](http://www.purpleline.co.uk/caravan-movers) før installation for at tjekke eventuelle opdateringer af produktspecifikationer, brug, sikkerhed eller installationsvejledninger.
- PL** Przed instalacją należy odwiedzić stronę [www.purpleline.co.uk/caravan-movers](http://www.purpleline.co.uk/caravan-movers), aby sprawdzić wszelkie aktualizacje dotyczące specyfikacji produktu, użytkowania, bezpieczeństwa lub instrukcji instalacji.

## Document Control

### Original Instructions

Manual Reference: QTR-M004

REVISION	DESCRIPTION	ISSUE DATE
-	Original Instructions	22/12/2020
05	Ammendments to shark clamp visuals and fitment instructions. Compliance documentation update.	09/12/2022
06	Translation from original English	10/01/2023



## Table of Contents

CONTENTS	PAGE NO.
Table of Contents	03
Package Contents (Fig.A)	04 - 05
Technical Reference Diagrams	06 - 10
Introduction	11
Fitting Guidelines	11
Specification	11
Installation - Safety Guidelines	12
Installation - Mechanical Components	13
Installation - Classic Clamp System	13 - 14
Installation - Shark Clamp System	14 - 15
Installation - Mechanical Components (AWD Configuration)	15
Mover Engagement/Disengagement	15
Installation - Electrical/Electronic Components	15
Maintenance	16
Product Registration	16
Guarantee	17
Optional Fitting Adaptors	18
Approval Information	19
Contact Information	19
EU Declaration of Conformity	20 - 21
UKCA Declaration of Conformity	22 - 23

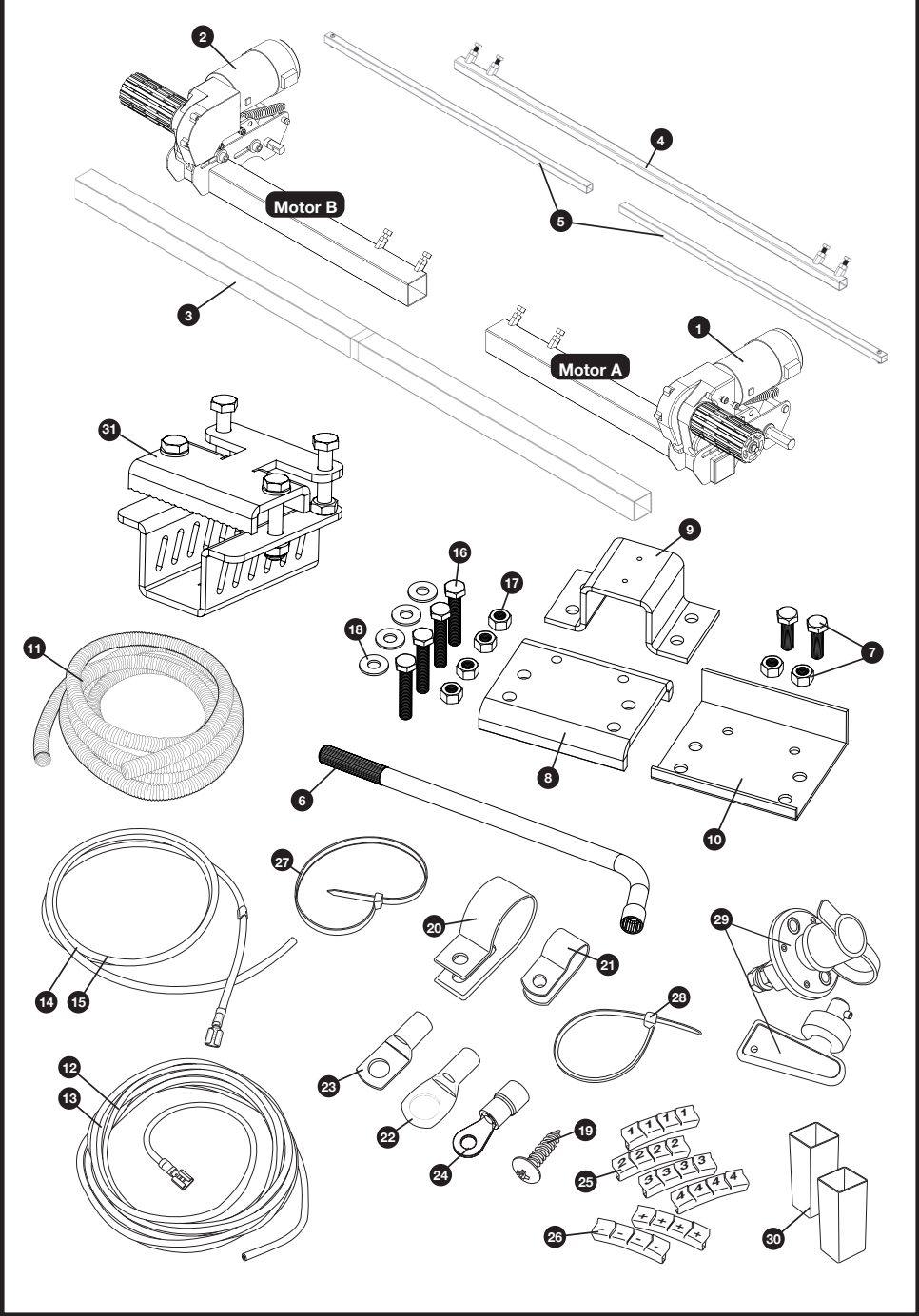
## Package Contents (Fig.A)

REF	QTY	DESCRIPTION
1	1	Motor Unit (A)
2	1	Motor Unit (B)
3	1	Main Cross Bar
4	1	Cross Actuation Centre Bar
5	2	Cross Actuation Insert Bars
6	1	Engagement Tool
7	4	Classic Clamp - Stop Nut and Bolt*
8	2	Classic Clamp - Upper Plate*
9	2	Classic Clamp - U Plate*
10	2	Classic Clamp - Lower Plate*
11	1	Convolute Cable Trunking
12	2	Positive (+) Red Motor Wire
13	2	Negative (-) Black Motor Wire
14	1	Positive (+) Red Battery Wire
15	1	Negative (-) Black Battery Wire
16	8	Classic Clamp - M10x55mm Bolt
17	8	Classic Clamp - M10 Nyloc Nut
18	8	Classic Clamp - Ø10mm Washer
19	20	M4x15mm P-Clip Screw
20	10	Cable P-Clips 19.2mm
21	10	Cable P-Clips 10.4mm
22	4	Battery Terminal Connector Ø8mm
23	4	Terminal Ring Connector Ø6mm
24	4	Terminal Ring Connector Ø4mm
25	3	Cable Number Markers (1,2,3,4)
26	3	Cable Polarity Markers (+,-)
27	4	Motor Unit Cable Ties 8x400
28	10	Cable Ties 2x70
29	1	Power Isolation Switch (inc. Key and Fixings)
30	2	20mm Roller Distance Spacers
31	2	Shark Clamp Mounting System*



\*Depending on model, either Classic Clamp or Shark Clamp will be supplied.

Fig.A



# Technical Reference Diagrams

Fig.1

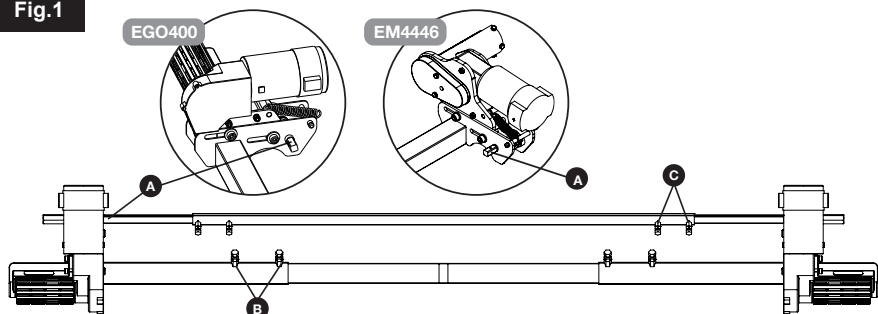
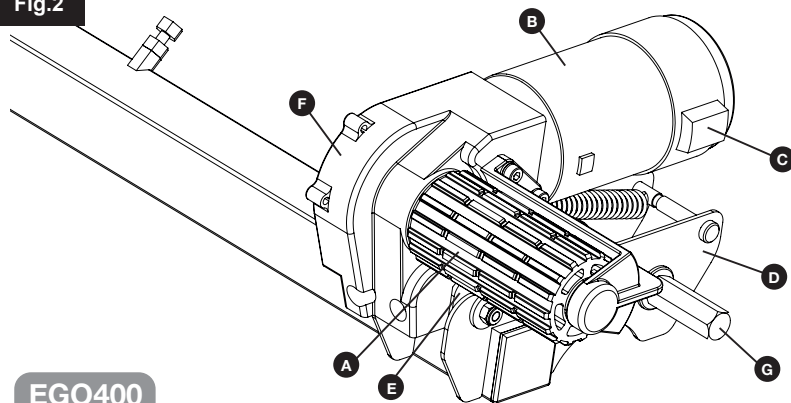
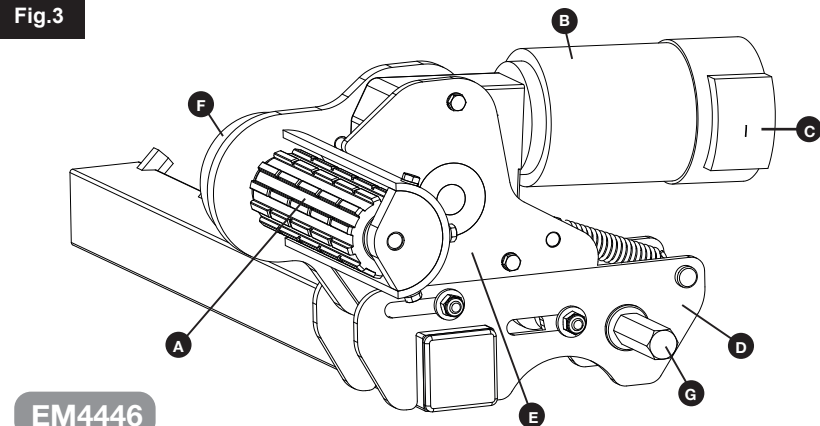


Fig.2



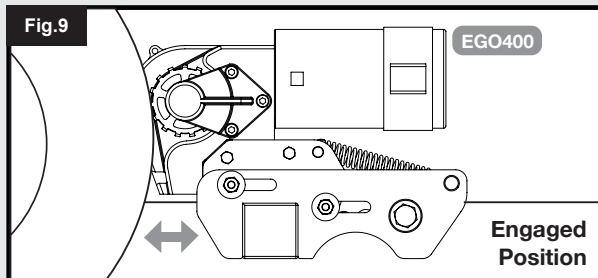
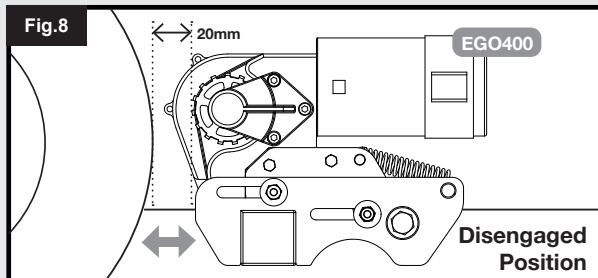
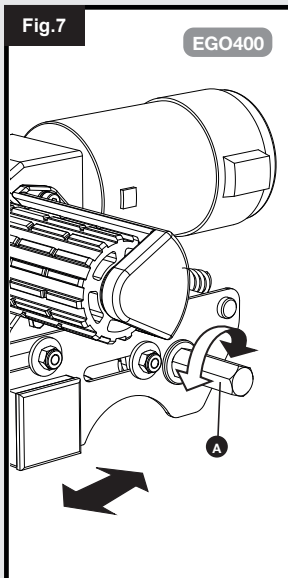
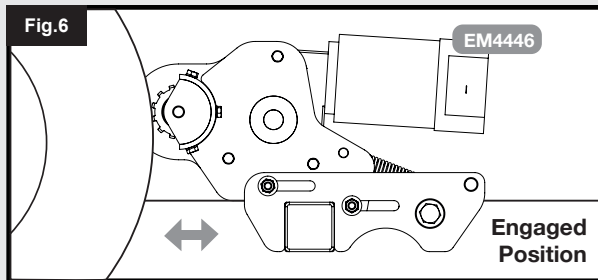
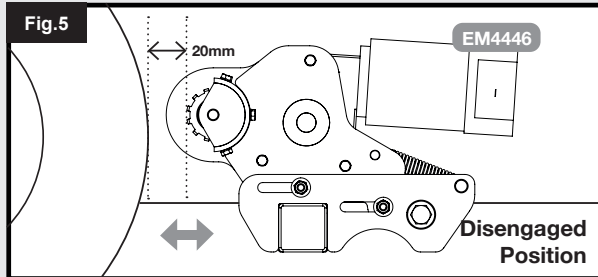
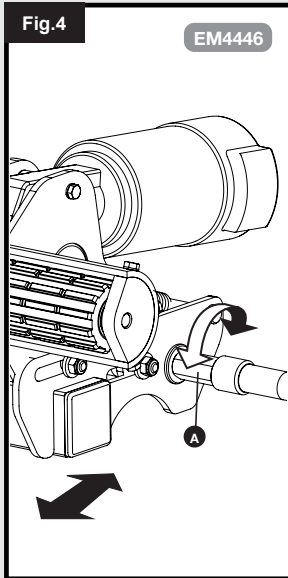
EGO400

Fig.3

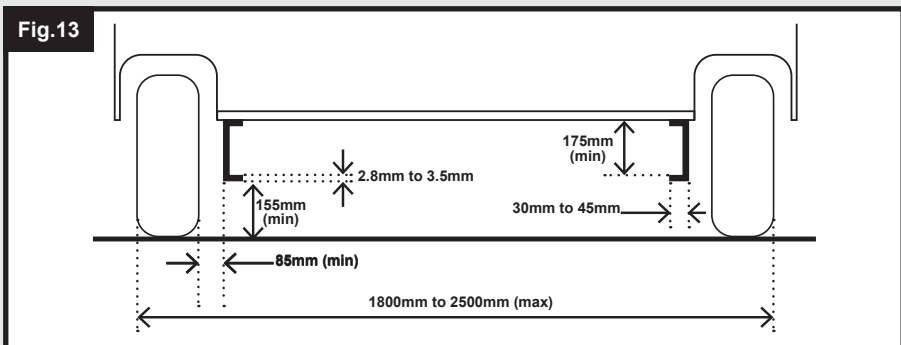
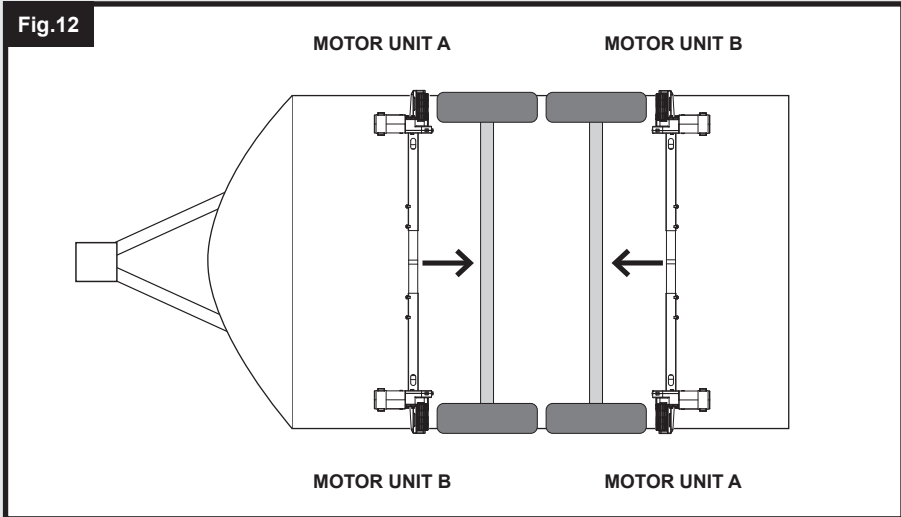
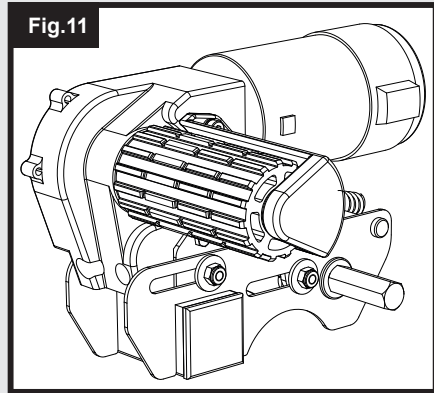
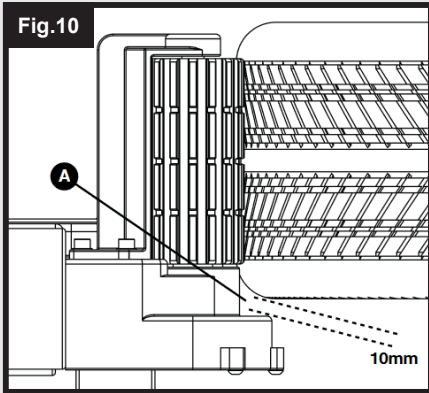


EM4446

# Technical Reference Diagrams

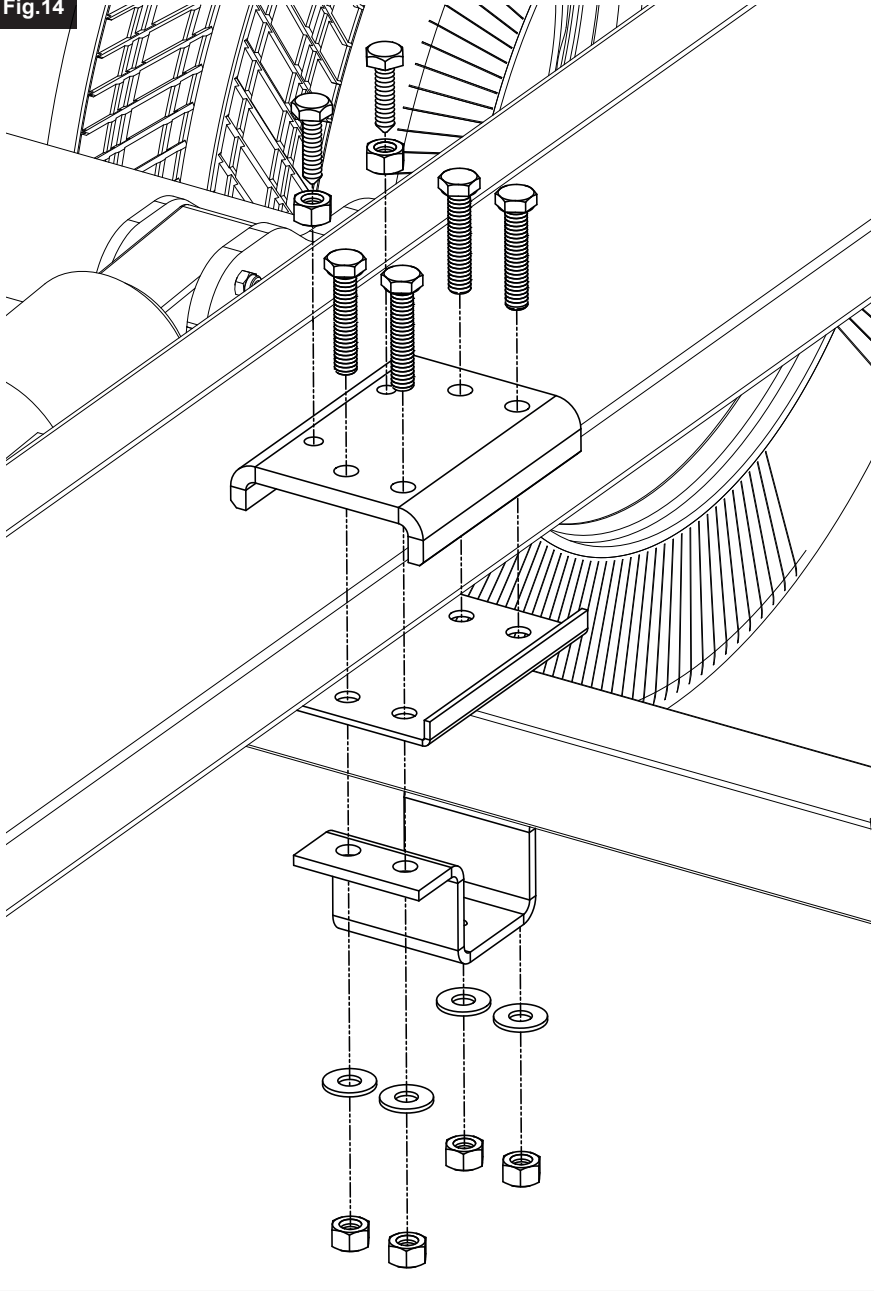


# Technical Reference Diagrams



Technical Reference Diagrams

Fig.14



# Technical Reference Diagrams

Fig.15

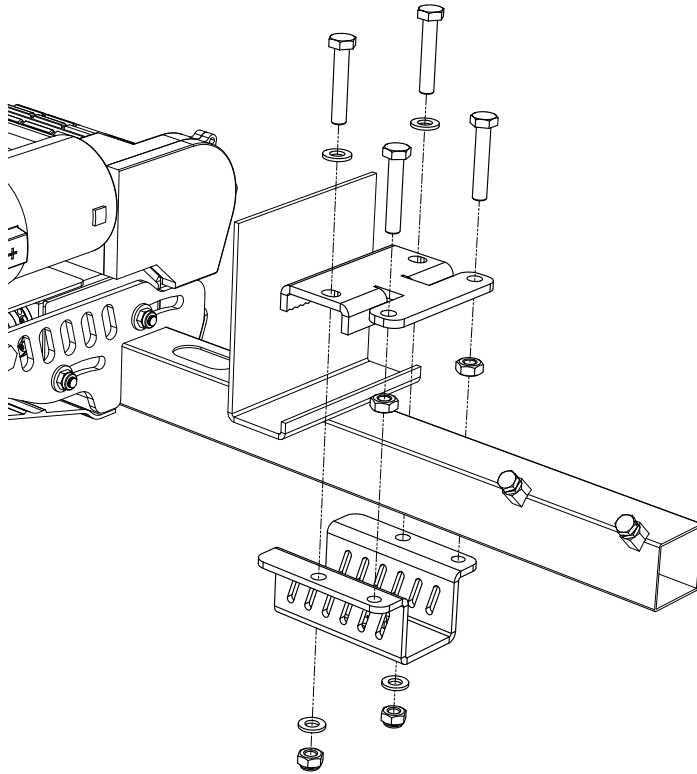
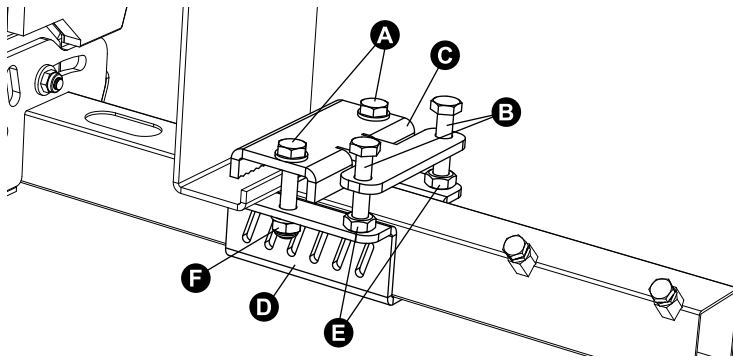


Fig.16



## Introduction

Thank you for choosing this caravan mover. This product has been produced according to high standards and has undergone careful quality control procedures. Simply by using the remote control you can move your caravan effortlessly into any position required within operating guidelines.



Before proceeding with installation and starting to use the mover, please read this manual very carefully and be aware of all the safety instructions! The owner of the caravan will always be responsible for correct use. Keep this manual inside your caravan for future reference.

This installation manual covers two models of Caravan Mover: EM4446 - Ego Enduro and EGO400 - Quattro Titanium. Any differences between the models are detailed where appropriate. The mover system consists of two 12V motor-powered rollers, a 12V electronic control box and a remote control. To function, the motor-powered rollers must be engaged against the tyres of your caravan. The cross actuation system enables you to simultaneously engage the rollers of both movers. Once this is done the mover is ready for operation. The remote control will allow you to move your caravan in any direction.

Please be aware that certain installations in Germany are subject to further technical requirements than in the rest of Europe. If after installation the caravan mover has easily accessible exposed sharp edges not covered by the caravan bodywork, it is likely that an additional cover will need to be installed. Please contact Purple Line for further assistance and see 'Optional fitting adapters' where these optional covers are listed with installation explained.

## Fitting Guidelines

The chassis clamps provided with this system are suitable for fitting onto most standard caravan chassis that have an L-shape or U-shape profile (Fig.11). Please refer to Fig.13 for reference on dimensions and clearances BEFORE you proceed any further with installation. If your chassis has different dimensions to those shown in Fig.13 then various chassis clamp adapters are available to suit the majority of UK and Continental caravans; please refer to the section of this manual entitled 'Optional Fitting Adapters'.

## Specification

Model Number	EGO400	EM4446
Operational Voltage	12V DC	12V DC
Average Current Consumption *	25A (approx.)	25A (approx.)
Maximum Current Consumption **	120A	120A
Speed	12cm/s (approx.)	9cm/s (approx.)
Approx. Net Weight (inc. all fixings & accessories)	35 kg	40 kg
Safe Working Load (SWL) Twin Motor/Quad Motor	2250kg / 3500kg	2250kg / 3500kg
Minimum Width (caravan/trailer)	1800mm	1800mm
Maximum Width (caravan/trailer)	2500mm	2500mm
Power Source (caravan leisure battery)	12V	12V

\* Average Current Consumption readings when using an approx. 1100kg single axle caravan on a hard, level surface.

\*\* Maximum Current Consumption readings when using an approx. 1100kg single axle caravan ascending a 1:4 (25%) gradient.

## Installation - Safety Guidelines



Read this User Manual carefully before installation and use. Failure to comply with these rules could result in serious injury or damage to property.

Before starting installation of the caravan mover:

**DO** check that the caravan is disconnected from the battery supply and the mains electrical supply.

**DO** only use adapters and accessories that are supplied or recommended by the manufacturer.

**DO** check that the tyres are not over worn (fitting to new or nearly new tyres is the best option).

**DO** make sure that the tyre-pressures are correct to the manufacturer's recommendation.

**DO** make sure the chassis is in good condition without any damage and is free from rust, dirt etc.

**DO** stop work immediately if you are in doubt about the assembly or any procedures and consult one of our engineers.

**DO** locate the battery isolation switch to be accessible at all times when parking and moving the caravan.

**DO NOT** remove, change or alter any parts of the chassis, axle, suspension or brake mechanism.

**DO NOT** operate the unit if you are under the influence of drugs, alcohol or medication that could impair your ability to use the equipment safely.



These instructions are for general guidance. Installation procedures may vary depending on caravan type.



Use appropriate support! Working under a vehicle without appropriate support is extremely dangerous. If you are fitting the mover system yourself, it is advisable that the installation is conducted by two people, as the mover will need to be raised up to the bottom of the caravan's chassis before the clamps can be installed.



Remember to complete the product registration form with the serial numbers of each motor assembly prior to fitting (see details within the Guarantee section of this manual).

## Installation - Mechanical Components

To begin mechanical installation, ensure that your caravan is placed on a hard, level surface. Where possible the use of a lifting ramp or an assembly pit is ideal for access and personal safety.

Make sure your caravan is prepared for installation. Clean the relevant mounting areas of your chassis to ensure a secure fitting of the mover system. Check before installation that important areas, such as drains, spare tyres etc. do not cause any obstruction to the installation of the mover system and its intended functionality.

Unpack all of the components and check that all parts are present (see Package Contents Fig.A). The installation instructions will continue to reference the part numbers displayed in Fig.A. Prior to and throughout the installation, ensure that the movers remain in the DISENGAGED position (see Fig.5 or Fig.8), as the unit will not fit correctly otherwise.

## Installation - Classic Clamp System (Fig.14)

Loosely assemble motor framework side (1), motor framework side (2) and main cross bar (3) (see Fig.1). The nuts (Fig.1.B) for cross bar fixing must be no more than finger-tight at this stage. Assemble the cross actuation bar by sliding the actuation bars (5) into the actuation centre bar (4) and mount to the motor assembly rods (Fig.1.A). Fix the actuation bars to these rods using the provided nyloc nut and bolt (pre attached to actuation bars). The nuts (Fig.1.C) for fixing must be no more than fingertight at this stage.

Place the assembly (Fig.1) loosely under the caravan. In principle, the unit should be fitted in front of the caravan road wheels, but if fitting in this position is not possible, it is permissible to fit it to the rear of the wheels by rotating the whole assembly by 180° degrees (note: in this scenario, refer to the rear axle schematic when wiring up your system). Ensure that the Main Cross Bar (3) is positioned in the centre of the caravan/mover assembly (the centre is marked). Adjust the lateral position of each motorside so that the rollers are central to the tyre, or as close to the centre as possible, ensuring 10mm of space is left between the tyre and gearbox of the mover (Fig.10)

Study Fig.14. On one side of the vehicle, elevate the framework assembly and loosely fit the clamping assembly to the framework and chassis as per Fig.14. Provided clamp fixings (7,16,17,18) must be no more than finger-tight at this stage. Once self supported via the loose fixings, proceed to repeat the process on the other side of the vehicle.



Take due care when elevating and fixing the framework and clamps. Use lifting aids and/or a second persons when lifting/fitting.

With the main assembly loosely fitted onto the chassis, slide the whole assembly along the chassis until the rollers (Fig.2.A or Fig.3.A) are 20mm away from the surface of the each tyre (see Fig.5 or Fig.8). Two 20mm spacers (30) are provided to set this distance. Note that the movers should be in the disengaged position when the 20mm spacing is set. When setting the spacing, ensure that the rollers on both movers are centrally in line with the vehicle tyres both horizontally and vertically, to allow for the best possible wheel contact (see Fig.10 for reference). If the roller widths exceed that of the tyre, ensure that the end of the roller is aligned with the outer wall of the tyre. Overhang on the inside wall of the tyre is acceptable on thinner tyres, and should not drastically affect function or grip.



It is important that each roller is at exactly the same distance away from the tyre. The whole assembly must be parallel to the caravan/trailer axle for the system to operate as intended.

## Installation - Classic Clamp System (Fig.14) cont.

Once satisfied with mover spacing, fully tighten the four nyloc nuts (17) on both clamping assemblies (Fig.14) to a torque setting of 40 ft lbs/55Nm, then the bolts (Fig.1.B and Fig.1.C) on each motor side framework to a torque setting of 9ft lbs/12Nm. Re-check the distance of 20mm from the rollers to the tyres and if necessary, loosen the bolts and re-adjust the position of the assembly. Once satisfied with the position of the assembly, fit and tighten the Chassis Stop Nuts & Bolts (7) in each of the Classic Clamp Upper Plates (8) (see Fig.14). Tighten to a torque setting of 40 ft lbs/55Nm. The Stop Bolts grip the lip of the chassis and help prevent the mover from sliding along the chassis.

The main mechanical components have now been installed.

## Installation - Shark Clamp System (Fig.15)

Loosely assemble the main cross bar (3) inside motor framework side (1) and motor framework side (2) (see Fig.1). The nuts/bolts (Fig.1.B) on the motor frameworks, must be no more than finger-tight at this stage. Assemble the cross actuation bar by sliding the actuation bars (5) into the actuation centre bar (4) and mount to the motor assembly rods (Fig.1.A). Fix the actuation bars to these rods using the provided nyloc nut and bolt (pre attached to actuation bars). The nuts (Fig.1.C) for fixing must be no more than fingertight at this stage.

Place the assembly (Fig.1) loosely under the caravan. In principle, the unit should be fitted in front of the caravan road wheels, but if fitting in this position is not possible, it is permissible to fit it to the rear of the wheels by rotating the whole assembly by 180° degrees.

Typically the Shark Clamp will be pre-assembled onto the motorsides for ease of fitting, but if the clamps have been purchased separately or are not pre-assembled, they should be assembled onto the framework as shown in (Fig.15). Before attempting to install the mover onto your caravan chassis ensure that the fastening nuts (Fig.16.E) are tightened, fixing the rear bolts (Fig.16.B) in place, allowing the top jaw (Fig.16.C) to translate in the vertical axis.

With fixing nuts and bolts loosely installed (Fig.16.A and F), slide the top jaw (Fig.16.C) up to open the jaws of the clamp at one motorside. Hook the top jaw onto the caravan chassis, allowing the motorside to hang in place. Repeat this process with the second motorside so that the full assembly is suspended in place.

With the crossbar nuts/bolts loose (Fig.1B), adjust the lateral position of each motorside so that the rollers are central to the tyre, or as close to the centre as possible, ensuring 10mm of space is left between the tyre and gearbox of the mover (Fig.10). After adjusting ensure the clamps haven't moved out of position by holding the framework motorside firmly, while reaching round and pushing the clamps outwards until the fastening bolts and chassis are within 1-2mm of each other. Once happy with the overall width of the mover system, tighten crossbar nuts/bolts (Fig.1B) and cross actuation nuts/bolts (Fig.1C) to 9ft lbs/12Nm to set the width.

Slide the whole assembly along the chassis until the rollers (Fig.2.A or Fig.3.A) are 20mm away from the surface of the centre each tyre (Fig.5 or Fig.8). Two 20mm spacers (30) are provided. Fully tighten the clamp bolts (Fig.16.A) on both clamping assemblies to a torque setting of 40 ft lbs/55Nm. When tightening one clamp bolt, the other may loosen slightly so it may take several passes to get both bolts fully torqued on each clamp. A tip is to do all clamp bolts up until there is a strong resistance before torquing fully.

## Installation - Shark Clamp System (Fig.15) cont.

Note that no tightening/torquing of the rear nuts/bolts (Fig.16.B and E) is required. These components are in place purely to assist with the installation process and are not a method of affixation.

## Installation - Mechanical Components (AWD Configuration)

To install an All Wheel Drive configuration on your caravan, follow the same instructions outlined in the previous 'Installation - Mechanical Components' sections. AWD set up follows the exact same process, with the only difference being the orientation of the movers. In an AWD configuration, the movers powering the rear axle of the vehicle must be orientated facing the front of the trailer (see Fig.12).

Ensure to follow the AWD configuration section of the Electrical/Electronic installation manual closely to ensure that these motor assemblies work as intended and not against one another.

## Mover Engagement/Disengagement

With the EM4446 Ego Enduro and EGO400 Titanium mover models, the process of engaging is a manual one. To engage your motors, place the engagement tool (6) onto the motor spindle (Fig.2.G or Fig.3.G) parallel to the ground at a position facing away from the wheel in question. To engage the motor, rotate the engagement tool through 180deg rotating toward the wheel in question (see Fig.4 or Fig.7). If you cross actuation bars have been mounted correctly, the process of engaging one mover, should subsequently also engage the opposite side of the vehicle.

The engagement mechanism utilises a simple over-centre cam that pushes the rollers onto the tyres and then locks into place automatically. If the mover has been installed correctly, at exactly 20mm away from the tyres when disengaged, the amount of force provided onto the tyre by the roller will be sufficient for most circumstances of use (Fig.6 or Fig.9).

**Note:** Irrespective of which side of the vehicle you are operating the engagement from, the tool should always rotate toward the wheel to engage, and away from the wheel to disengage.

To disengage the rollers, simply refit the tool onto one of the spindles and rotate away from the tyre. Please note that you will feel a small amount of resistance initially as you disengage the cam from its locked position; the spring will then do the rest of the work and pull the roller away from the tyre and into the fully disengaged position (Fig.5 or Fig.8).

## Installation - Electrical/Electronic Components

*Please refer to manual supplied with electronics for wiring installation, operation instructions and troubleshooting, or visit [www.purpleline.co.uk/qtr-m003](http://www.purpleline.co.uk/qtr-m003)*



## Guarantee

Quattro® caravan mover systems are provided with a UK parts only warranty for a period of 7-years (EGO400 Quattro Titanium) and 5-years (EM4446 Ego Enduro) which includes the first 12 months statutory, plus an additional extended warranty period of 6 and 4 years respectively. Please note that the extended warranty periods are only offered if Product Registration is completed and returned within 14 days from the date of purchase. Any warranty claims must be directed through the place of purchase with a proof of purchase provided. Warranty cover is limited to products within UK mainland only.

Within the five year period, the manufacturer will, at their sole discretion, replace or repair any parts that have failed if deemed to be due to a manufacturing defect.

The manufacturer does not take responsibility for any consequential loss whatsoever.

Upon inspection, components that are missing when checked against the packing contents list must be reported to the place of purchase within 5 working days.

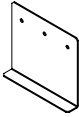
This warranty cover is available only to the original purchaser of the product and is non-transferable.

What is not covered:

- Normal wear and tear.
- Damage that is deemed to be due to customer misuse or neglect.
- The cost of repair following accidental damage, abuse of product or deliberate tampering.
- Warranty is not offered for any type of trade or commercial usage.
- As a result of the recall or modification of all equipment in a model range.
- Force Majeure e.g. Damage caused by extraordinary events or circumstance beyond anyone's control.
- Damage as a consequence of water ingress.
- Carriage or any additional charges incurred including travel or labour.
- Caravan electrics, including fuses, plugs, batteries, wiring connections and looms. Scratches, dents, paintwork and cosmetic trim.
- Damage as a result of incorrect installation and/or disregard to manufacturers fitting instructions.
- Cover will not be given to any part or component which is out of manufacture or no longer available.
- Cover will not be given if the product has been modified in any way.
- Damage occurring as a result of the product being used outside manufacturer's load recommendations.

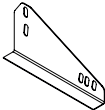
## Optional Fitting Adapters

Additional chassis clamp adapters shown below are available for purchase:



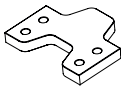
### Low Profile Chassis Adapter Plates (Part No. CM-029)

If your chassis frame height is less than 140mm these plates must be fitted to lower the assembly to provide the correct height of 185mm. Drilling of your chassis may be required. Note: In some countries, the installation must be checked by a professional technician in order to adhere to local regulations.



### Narrow Gauge Chassis Adapters (Part No. CM-030)

These plates must be utilised if you have an AL-KO Vario III/AV chassis which has a frame thickness of less than 2.8mm. These must be positioned behind the axle using pre-drilled holes already available on the chassis; so your mover must be fitted behind the axle.



### 16mm Spacers - 1 pair (Part No. CM-028/Q)

Use spacers to lower the mover assembly if your chassis has a frame height of between 140 to 185mm. A maximum of 3 sets of spacers can be utilised to achieve correct frame height of 185mm. A set of extended clamp bolts must be used in conjunction with these spacers (Part No. CM-031).

*[For use with Classic Clamp only.]*



### Set of 8 M10 x 100 Bolts (Part No. CM-031)

Set of 8 extended clamp bolts for use with 16mm spacers.

*[For use with Classic Clamp only.]*

## APPROVAL INFORMATION

	MOVER MODEL				
<b>APPROVAL</b>	QUATTRO600	EGO500	QUATTRO500	EGO400	EM4446
<b>UNECE R10</b>	E1*10R06/01*9650		E1*10R06/01*9651		
<b>ABE</b>	KBA 91897	KBA 91896	KBA 91897	KBA 91509	KBA 91230

All motor mover models have been issued general operating permits (ABE) for Germany. Approvals are listed in the table above and are referenced accordingly on the corresponding products. ABE approval documents can be requested from Purple Line, or downloaded from our website and must be carried in the vehicle in Germany. Approval is invalidated if the product is used outside of the intended operation as outlined throughout this manual.

All motor move models have been approved against the harmonised technical standards relating to Electromagnetic compatibility of automotive equipment (UNECE R10 Add.9 Rev.6). Approvals are listed in the table above and are referenced accordingly on the corresponding products. Approval is invalidated if the product is used outside of the intended operation as outlined throughout this manual.

The technical and administrative regulations of the country in which the vehicle is registered must be complied with when any Mover system is being installed. Any modifications to the unit, or the use of spare parts and accessories important to the operation of the system that are not original Purple Line parts and failure to follow the installation and operating instructions will cancel the warranty and indemnify Purple Line from any liability claims. In addition to this, the operational approval for the device will be cancelled.

## CONTACT INFORMATION

UK	Purple Line Limited Peninsula Business Centre Wherstead, Suffolk IP9 2BB, United Kingdom	Tel: +44 (0) 1473 601200 E-mail: <a href="mailto:info@purpleline.co.uk">info@purpleline.co.uk</a>
EU	Purple Line GmbH Jägerhofstraße 29, Düsseldorf, 40479, Deutschland	Tel: +44 (0) 1473 601200 E-mail: <a href="mailto:info@purpleline.co.uk">info@purpleline.co.uk</a>

## EU DECLARATION OF CONFORMITY

**Manufacturer:**

Purple Line Limited  
Peninsula Business Centre,  
Wherstead, Suffolk, IP9 2BB,  
United Kingdom

**Authorised Representative:**

Purple Line GmbH  
Jägerhofstraße 29,  
40479 Düsseldorf,  
Germany

**Objects of the declaration:****Product Designation:  
(Reference Code)**

Quattro Caravan Motor Movers with  
Quattro Smart Electronics (QUATTRO400-001)

**Models:**

QUATTRO500, QUATTRO500/S, QUATTRO600, QUATTRO600/S  
EGO500, EGO500/S, EGO400, EGO400/S, EM4446, EM4446/S

Purple Line Limited, declare under our sole responsibility that the above products conform to the essential requirements of the following European Union Directives, when used as intended:

Electromagnetic Compatibility [EMC] Directive (2014/30/EU)

ETSI EN301489-1 V2.2.0 (2017-03)

ETSI EN301489-17 V3.2.0 (2017-03)

ETSI EN301489-9

Radio Equipment Directive [RED] (2014/53/EU)

ETSI EN300328 V2.2.0 (2017-11)

EN 62479: 2010

Restriction of the use of certain hazardous substances [RoHS] Directive (2011/65/EU)

EN IEC 63000:2018

Low Voltage [LV] Directive (2014/35/EU)

EN 62368-1:2014+A11:2017

**Issuer:**

Purple Line Limited

**Location:**

Suffolk, United Kingdom

**Authorised Signatory:**

Jonathan Harrison, Managing Director

**Date:**

09/12/2022

**Signature:**

A handwritten signature in black ink, appearing to read 'Jonathan Harrison', written over a horizontal line.

DOC-CE-QUATTRO400-001

## EU DECLARATION OF CONFORMITY

**Manufacturer:**

Purple Line Limited  
Peninsula Business Centre,  
Wherstead, Suffolk, IP9 2BB,  
United Kingdom

**Authorised Representative:**

Purple Line GmbH  
Jägerhofstraße 29,  
40479 Düsseldorf,  
Germany

**Objects of the declaration:****Product Designation:  
(Reference Code)**

Quattro Caravan Motor Movers with  
Basic Auto Engage Electronics (CM-071)

**Models:**

QUATTRO500, QUATTRO500/B, QUATTRO600, QUATTRO600/B  
EGO500, EGO500/B, EGO400, EGO400/B, EM4446, EM4446/B

Purple Line Limited, declare under our sole responsibility that the above products conform to the essential requirements of the following European Union Directives, when used as intended:

Electromagnetic Compatibility [EMC] Directive (2014/30/EU)

ETSI EN 301 489-1 V2.2.3

EN 55032:2015

EN 61000-3-2:2014

EN 61000-3-3:2013

EN 55035:2017

Radio Equipment Directive [RED] (2014/53/EU)

EN IEC 63000:2018

Restriction of the use of certain hazardous substances [RoHS] Directive (2011/65/EU)

EN IEC 63000:2018

**Issuer:**

Purple Line Limited

**Location:**

Suffolk, United Kingdom

**Authorised Signatory:**

Jonathan Harrison, Managing Director

**Date:**

09/12/2022

**Signature:**

A handwritten signature in black ink, appearing to read 'Jonathan Harrison', written over a horizontal line.

DOC-CE-CM071

# UKCA DECLARATION OF CONFORMITY

**Manufacturer:**

Purple Line Limited  
Peninsula Business Centre,  
Wherstead, Suffolk, IP9 2BB,  
United Kingdom

**Objects of the declaration:**

**Product Designation:** Quattro Caravan Motor Movers with  
**(Reference Code)** Quattro Smart Electronics (QUATTRO400-001)

**Models:** QUATTRO500, QUATTRO500/S, QUATTRO600, QUATTRO600/S  
EGO500, EGO500/S, EGO400, EGO400/S, EM4446, EM4446/S

Purple Line Limited, declare under our sole responsibility that the above products conform to the essential requirements of the following UK Legislation, when used as intended:

Electromagnetic Compatibility Regulations 2016 (S.I. 2016:1091)

ETSI EN301489-1 V2.2.0 (2017-03)

ETSI EN301489-17 V3.2.0 (2017-03)

ETSI EN301489-9

Radio Equipment Regulations 2017 (S.I. 2017:1206)

ETSI EN300328 V2.2.0 (2017-11)

EN 62479: 2010

The Restriction of the Use of Certain Hazardous Substances in Electrical and Electronic Equipment Regulations 2012 (S.I. 2012:3032)

EN IEC 63000:2018

Electrical Equipment (Safety) Regulations 2016 (S.I. 2016:1101)

EN 62368-1:2014+A11:2017

**Issuer:** Purple Line Limited

**Location:** Suffolk, United Kingdom

**Authorised Signatory:** Jonathan Harrison, Managing Director

**Date:** 09/12/2022

**Signature:**

A handwritten signature in black ink, appearing to read 'Jonathan Harrison', written over a horizontal line.

DOC-UKCA-QUATTRO400-001

# UKCA DECLARATION OF CONFORMITY

**Manufacturer:**

Purple Line Limited  
Peninsula Business Centre,  
Wherstead, Suffolk, IP9 2BB,  
United Kingdom



**Objects of the declaration:**

**Product Designation:** Quattro Caravan Motor Movers with  
**(Reference Code)** Basic Auto Engage Electronics (CM-071)

**Models:** QUATTRO500, QUATTRO500/B, QUATTRO600, QUATTRO600/B  
EGO500, EGO500/B, EGO400, EGO400/B, EM4446, EM4446/B

Purple Line Limited, declare under our sole responsibility that the above products conform to the essential requirements of the following UK Legislation, when used as intended:

Electromagnetic Compatibility Regulations 2016 (S.I. 2016:1091)

ETSI EN 301 489-1 V2.2.3

EN 55032:2015

EN 61000-3-2:2014

EN 61000-3-3:2013

EN 55035:2017

Radio Equipment Regulations 2017 (S.I. 2017:1206)

EN IEC 63000:2018

The Restriction of the Use of Certain Hazardous Substances in Electrical and Electronic Equipment Regulations 2012 (S.I. 2012:3032)

EN IEC 63000:2018

**Issuer:** Purple Line Limited

**Location:** Suffolk, United Kingdom

**Authorised Signatory:** Jonathan Harrison, Managing Director

**Date:** 09/12/2022

**Signature:**

A handwritten signature in black ink, appearing to read 'Jonathan Harrison', written over a horizontal line.

DOC-UKCA-CM071



# INHALT

INHALT	SEITE NR.
Inhaltsübersicht	24
Packungsinhalt (Abb.A)	25 - 26
Technische Referenzdiagramme	27 - 31
Einführung	32
Leitlinien für den Einbau	32
Spezifikation	32
Installation - Sicherheitsrichtlinien	33
Einbau - Mechanische Komponenten	33 - 34
Einbau - Klassisches Klemmsystem	34 - 35
Einbau - Shark Clamp System	35 - 36
Einbau - Mechanische Komponenten (AWD-Konfiguration)	36
Engagement/Deaktivierung von Umsteigern	36
Installation - Elektrische/Elektronische Komponenten	36
Wartung	37
Produktregistrierung	37
Bürgschaft	38
Optionale Anpassungsadapter	39
Informationen zur Zulassung	40
Kontaktinformationen	40
EU-Konformitätserklärung	41 - 42

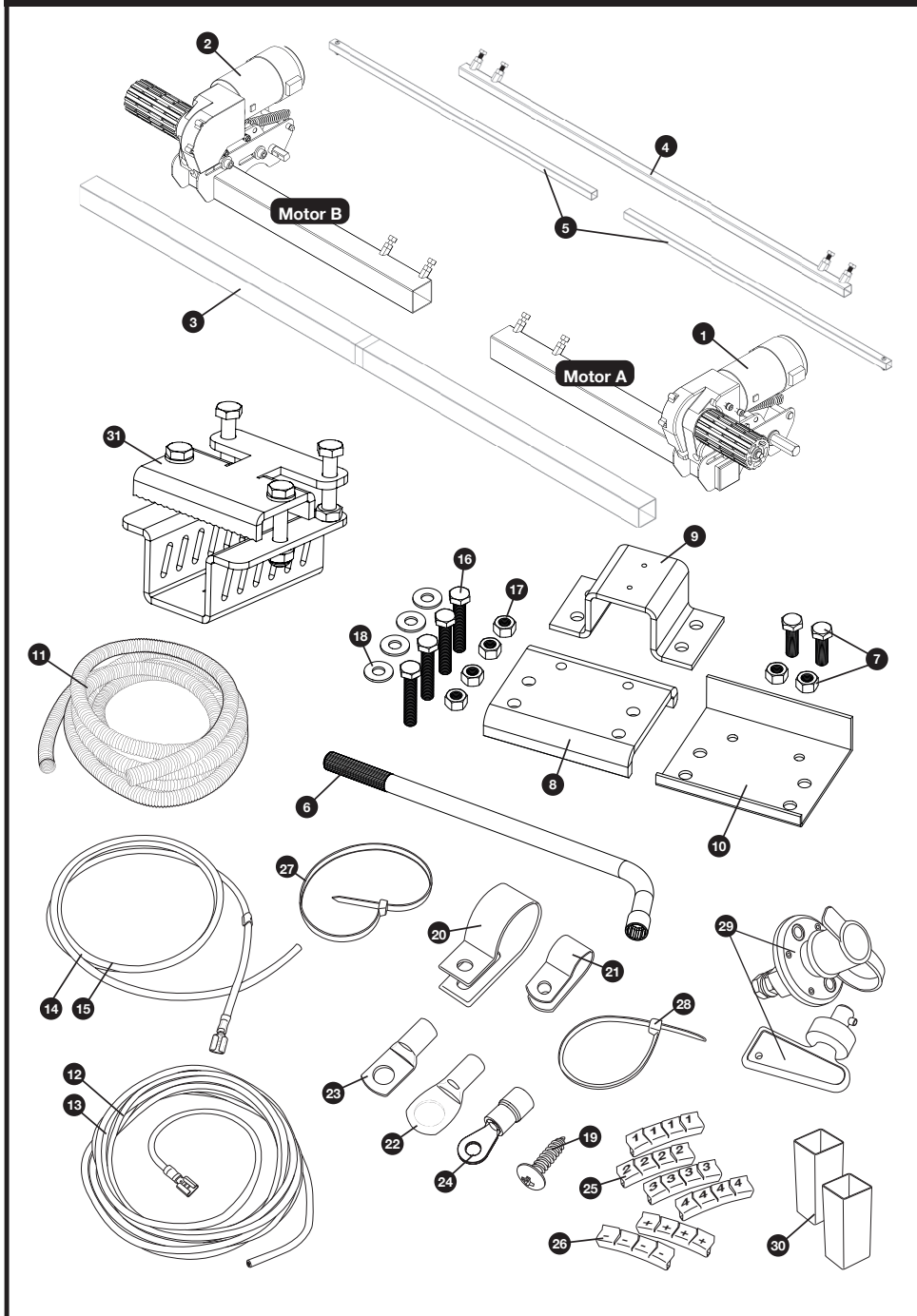
## Packungsinhalt (Abb.A)

REF	QTY	BESCHREIBUNG
1	1	Motoreinheit (A)
2	1	Motoreinheit (B)
3	1	Haupttraverse
4	1	Querbetätigung Mittelstange
5	2	Querbetätigung Einsatzleisten
6	1	Engagement-Tool
7	4	Classic Clamp - Stopfmutter und Schraube*
8	2	Classic Clamp - Obere Platte*
9	2	Klassische Klemme - U-Platte*
10	2	Classic Clamp - Untere Platte*
11	1	Gewundene Kabelkanäle
12	2	Positives (+) rotes Motorkabel
13	2	Negativ (-) Schwarzes Motorkabel
14	1	Positives (+) rotes Batteriekabel
15	1	Negatives (-) schwarzes Batteriekabel
16	8	Klassische Klemme - M10x55mm Schraube
17	8	Klassische Klemme - M10 Nyloc-Mutter
18	8	Klassische Klemme - Ø10mm Unterlegscheibe
19	20	M4x15mm P-Clip Schraube
20	10	Kabel P-Clips 19,2mm
21	10	Kabel P-Clips 10.4mm
22	4	Batterieklemmenanschluss Ø8mm
23	4	Klemmringverbinder Ø6mm
24	4	Klemmringverbinder Ø4mm
25	3	Kabelnummernmarkierer (1,2,3,4)
26	3	Kabelpolaritätsmarkierungen (+,-)
27	4	Motoreinheit Kabelbinder 8x400
28	10	Kabelbinder 2x70
29	1	Netzfreischalter (inkl. Schlüssel und Befestigungen)
30	2	20mm Rollendistanzstücke
31	2	Shark Clamp Befestigungssystem*



\*Je nach Modell wird entweder die Classic Clamp oder die Shark Clamp geliefert.

Abb.A



# Technische Referenzdiagramme

Abb.1

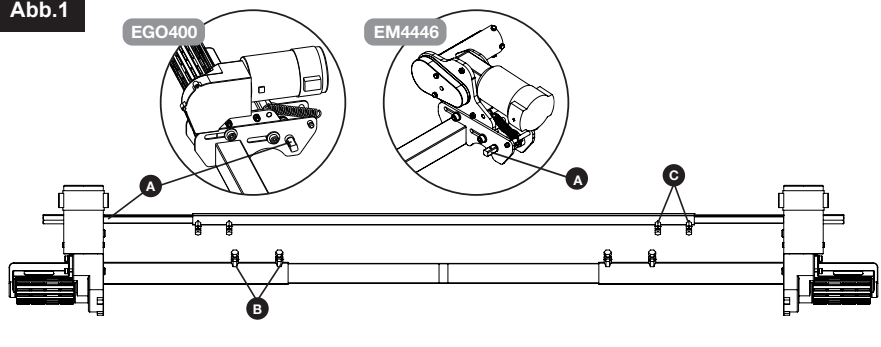
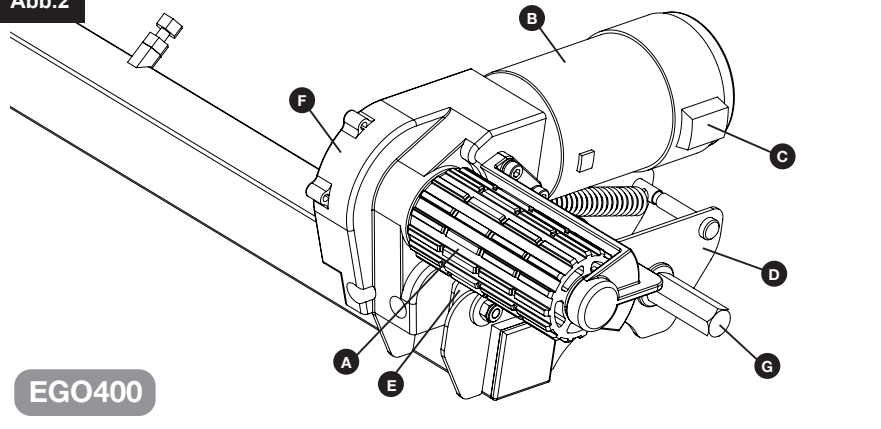
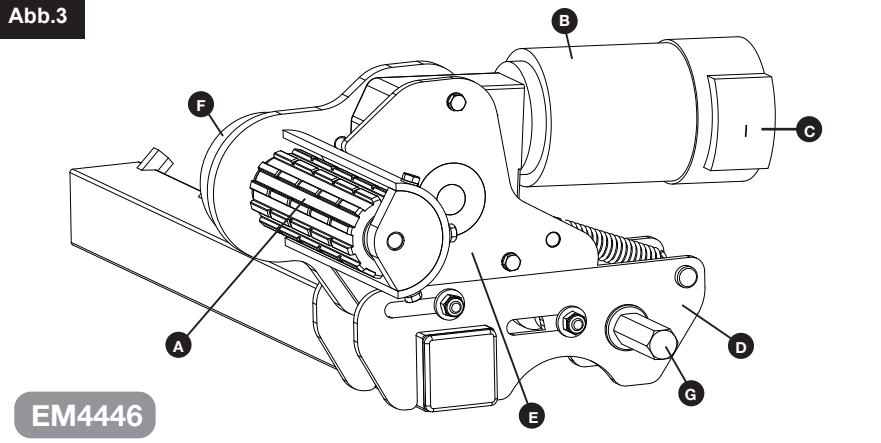


Abb.2



EGO400

Abb.3



EM4446

# Technische Referenzdiagramme

Abb.4

EM4446

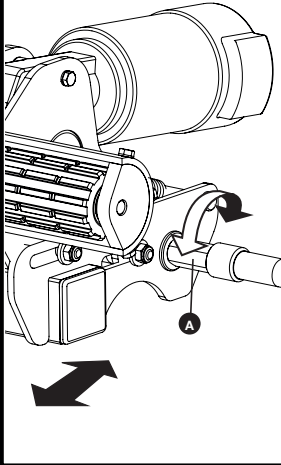


Abb.5

EM4446

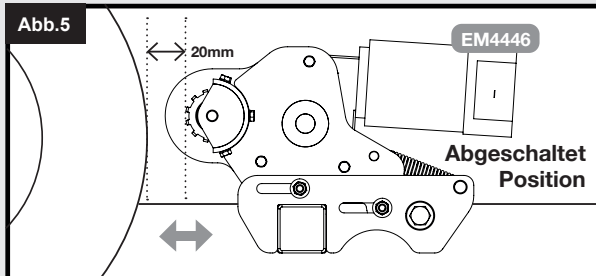


Abb.6

EM4446

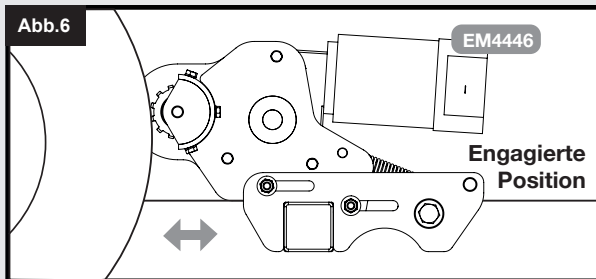


Abb.7

EGO400

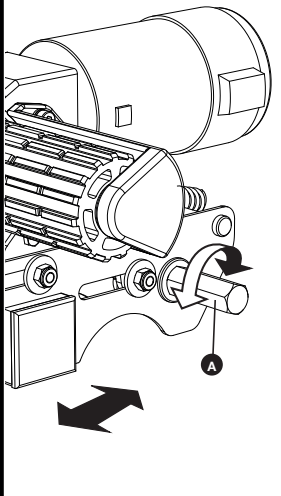


Abb.8

EGO400

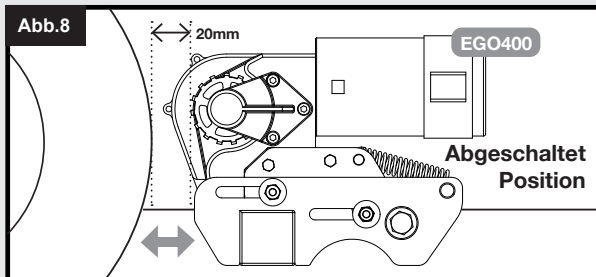
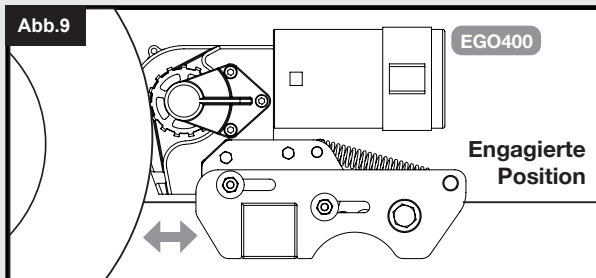


Abb.9

EGO400



# Technische Referenzdiagramme

Abb.10

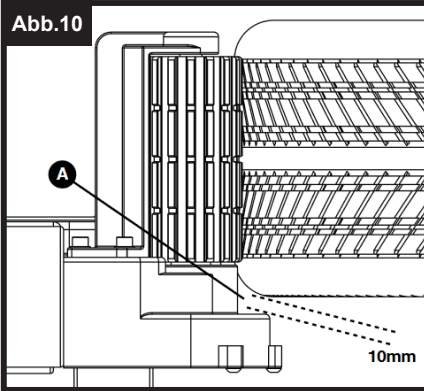


Abb.11

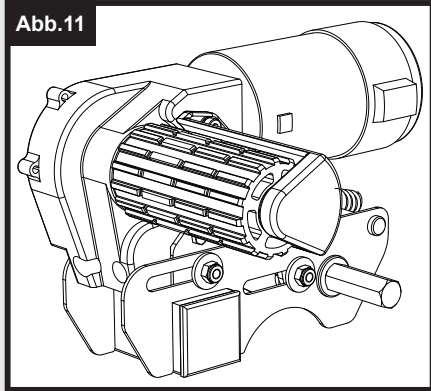


Abb.12

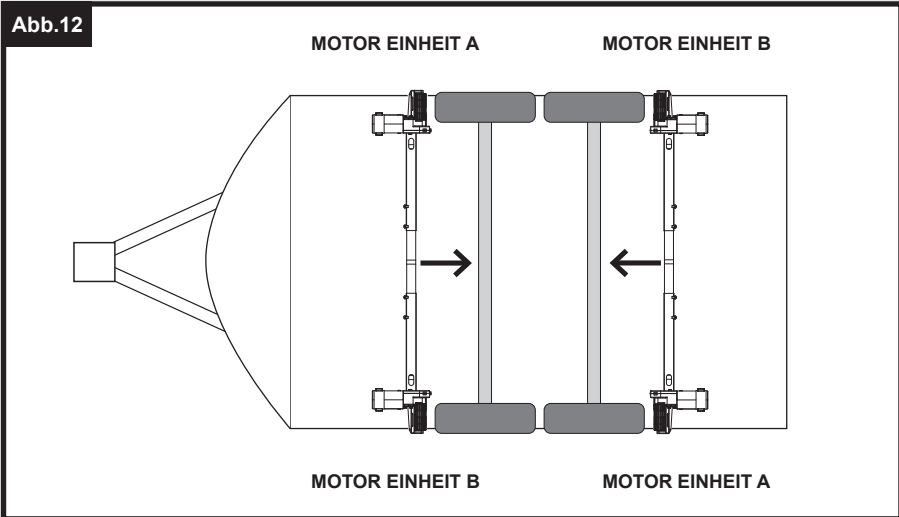


Abb.13

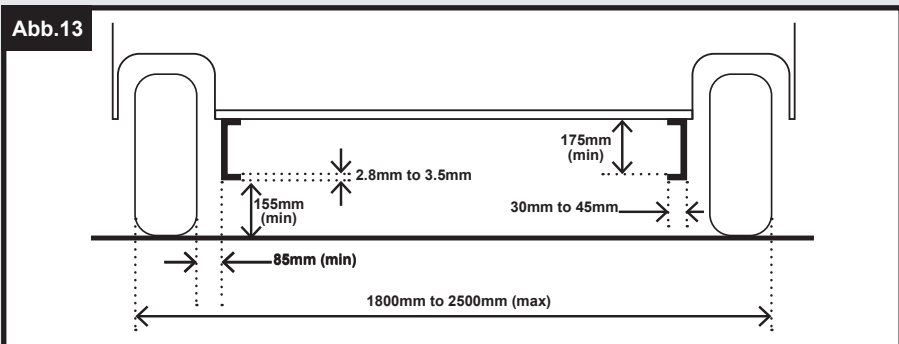
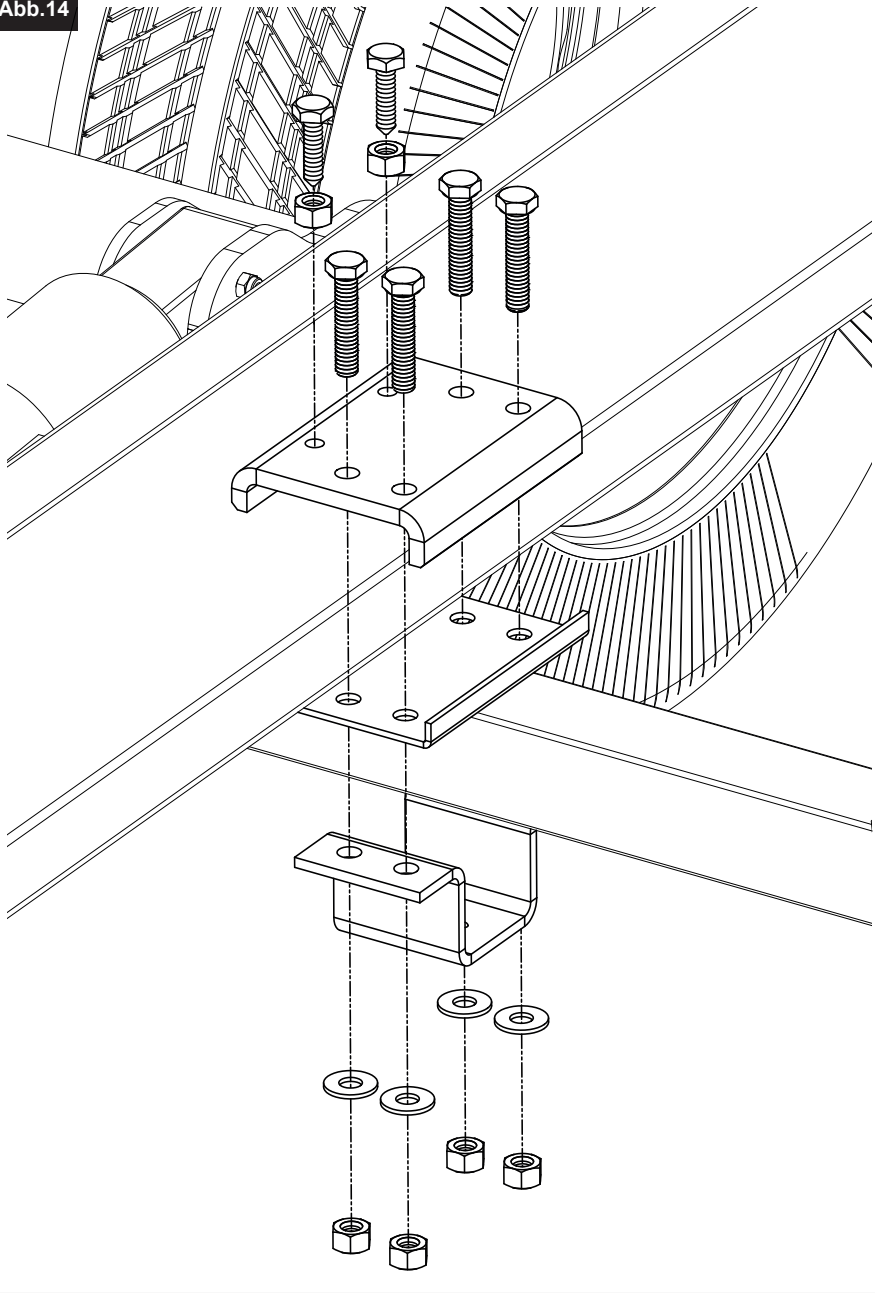


Abb.14



# Technische Referenzdiagramme

Abb.15

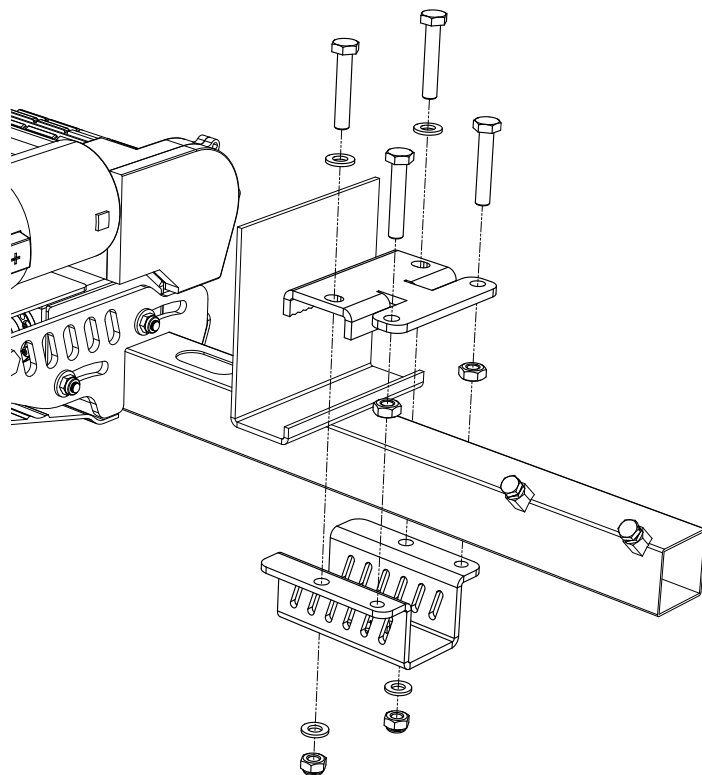
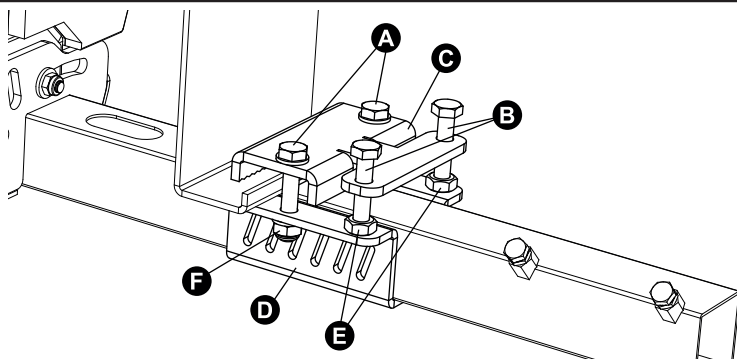


Abb.16



## Einführung

Vielen Dank, dass Sie sich für diesen Caravan Mover entschieden haben. Dieses Produkt wurde nach hohen Standards hergestellt und hat eine sorgfältige Qualitätskontrolle durchlaufen. Mit Hilfe der Fernbedienung können Sie Ihren Wohnwagen mühelos in jede beliebige Position innerhalb der Betriebsrichtlinien bringen.



Bevor Sie mit dem Aufbau beginnen und den Mover in Betrieb nehmen, lesen Sie bitte diese Anleitung sehr sorgfältig durch und beachten Sie alle Sicherheitshinweise! Der Besitzer des Wohnwagens ist immer für die korrekte Benutzung verantwortlich. Bewahren Sie diese Anleitung in Ihrem Wohnwagen auf, um zukünftige Referenz.

Dieses Installationshandbuch bezieht sich auf zwei Modelle von Caravan Mover: EM4446 - Ego Enduro und EGO400 - Quattro Titanium. Etwaige Unterschiede zwischen den Modellen werden an entsprechender Stelle erläutert. Das Mover-System besteht aus zwei 12-V-Motorrollen, einem elektronischen 12-V-Steuerggerät und einer Fernbedienung. Um zu funktionieren, müssen die motorbetriebenen Rollen an den Reifen Ihres Wohnwagens anliegen. Das Kreuzantriebssystem ermöglicht es Ihnen, die Rollen beider Mover gleichzeitig einzurasten. Danach ist der Mover einsatzbereit. Mit der Fernbedienung können Sie Ihren Wohnwagen in jede beliebige Richtung bewegen. Bitte beachten Sie, dass bestimmte Installationen in Deutschland weiteren technischen Anforderungen unterliegen als im übrigen Europa. Wenn der Caravan Mover nach der Installation leicht zugängliche, scharfe Kanten aufweist, die nicht durch die Karosserie abgedeckt sind, muss wahrscheinlich eine zusätzliche Abdeckung angebracht werden. Bitte wenden Sie sich an Purple Line, um weitere Unterstützung zu erhalten, und sehen Sie unter "Optionale Montageadapter" nach, wo diese optionalen Abdeckungen aufgeführt und deren Montage erklärt wird.

## Leitlinien für den Einbau

The chassis clamps provided with this system are suitable for fitting onto most standard caravan chassis that have an L-shape or U-shape profile (Abb.11). Please refer to Abb.13 for reference on dimensions and clearances BEFORE you proceed any further with installation. If your chassis has different dimensions to those shown in Abb.13 then various chassis clamp adapters are available to suit the majority of UK and Continental caravans; please refer to the section of this manual entitled 'Optional Fitting Adapters'.

## Spezifikation

Modellnummer	EGO400	EM4446
Betriebsspannung	12 V GLEICHSTROM	12 V GLEICHSTROM
Durchschnittlicher Stromverbrauch *	25A (ca.)	25A (ca.)
Maximale Stromaufnahme **	120A	120A
Geschwindigkeit	12cm/s (ca.)	9cm/s (ca.)
Ungefähres Nettogewicht (inkl. aller Befestigungen und Zubehör)	35 kg	40 kg
Sichere Arbeitslast (SWL) Doppelmotor/Quadratmotor	2250kg / 3500kg	2250kg / 3500kg
Mindestbreite (Wohn-wagen/Anhänger)	1800mm	1800mm
Maximale Breite (Wohn-wagen/Anhänger)	2500mm	2500mm
Stromquelle (Caravan-Batterie)	12V	12V

\* Durchschnittliche Stromverbrauchswerte bei Verwendung eines ca. 1100 kg schweren einachsigen Wohnwagens auf einer harten, ebenen Fläche.

\*\* Maximale Stromverbrauchswerte bei Verwendung eines ca. 1100 kg schweren einachsigen Wohnwagens bei einer Steigung von 1:4 (25%).

## Installation - Sicherheitsrichtlinien



Lesen Sie dieses Benutzerhandbuch vor der Installation und Verwendung sorgfältig durch. Die Nichtbeachtung dieser Vorschriften kann zu schweren Verletzungen oder Sachschäden führen.

Bevor Sie mit der Montage des Caravan Mover beginnen:

Vergewissern Sie sich, dass der Wohnwagen von der Batterie und dem Stromnetz getrennt ist.

Verwenden Sie nur Adapter und Zubehör, die vom Hersteller geliefert oder empfohlen werden. Achten Sie darauf, dass die Reifen nicht zu stark abgenutzt sind (die Montage neuer oder fast neuer Reifen ist die beste Option). Achten Sie darauf, dass der Reifendruck den Empfehlungen des Herstellers entspricht.

Vergewissern Sie sich, dass das Fahrgestell in gutem Zustand ist und keine Schäden aufweist und frei von Rost, Schmutz usw. ist.

Stellen Sie die Arbeit sofort ein, wenn Sie Zweifel an der Montage oder an einem Verfahren haben, und wenden Sie sich an einen unserer Ingenieure.

Bringen Sie den Batterietrennschalter so an, dass er beim Abstellen und Bewegen des Wohnwagens jederzeit zugänglich ist.

Entfernen, verändern oder modifizieren Sie KEINE Teile des Fahrgestells, der Achse, der Aufhängung oder des Bremsmechanismus.

Bedienen Sie das Gerät NICHT, wenn Sie unter dem Einfluss von Drogen, Alkohol oder Medikamenten stehen, die Ihre Fähigkeit, das Gerät sicher zu bedienen, beeinträchtigen könnten.



Diese Anleitung dient als allgemeiner Leitfaden. Die Installationsverfahren können je nach Wohnwagentyp variieren.



Verwenden Sie eine geeignete Abstützung! Das Arbeiten unter einem Fahrzeug ohne entsprechende Abstützung ist äußerst gefährlich. Wenn Sie das Mover-System selbst montieren, ist es ratsam, dass die Montage von zwei Personen durchgeführt wird, da der Mover bis zur Unterseite des Wohnwagenchassis angehoben werden muss, bevor die Klemmen montiert werden können.



Denken Sie daran, vor dem Einbau das Produktregistrierungsformular mit den Seriennummern jeder Motorbaugruppe auszufüllen (siehe Einzelheiten im Abschnitt "Garantie" in diesem Handbuch).

## Einbau - Mechanische Komponenten

Um mit der mechanischen Montage zu beginnen, stellen Sie Ihren Wohnwagen auf eine harte, ebene Fläche. Wenn möglich, ist die Verwendung einer Hebebühne oder einer Montagegrube ideal für den Zugang und die persönliche Sicherheit.

Stellen Sie sicher, dass Ihr Wohnwagen für den Einbau vorbereitet ist. Reinigen Sie die relevanten Montagebereiche Ihres Fahrgestells, um einen sicheren Einbau des Mover-Systems zu gewährleisten. Prüfen Sie vor dem Einbau, ob wichtige Bereiche, wie die Abflüsse, Reservereifen usw. die Installation des Mover-Systems und seine vorgesehene Funktion nicht behindern.

## Einbau - Mechanische Komponenten Forts.

Packen Sie alle Komponenten aus und überprüfen Sie, ob alle Teile vorhanden sind (siehe Verpackungsinhalt, Abb.A). In der Montageanleitung wird weiterhin auf die in Abb.A dargestellten Teilenummern verwiesen. Vor und während der gesamten Montage ist darauf zu achten, dass die Mover in der AUSGESTELLTEN Position bleiben (siehe Abb.5 oder Abb.8), da die Einheit sonst nicht korrekt montiert werden kann.

## Einbau - Klassisches Klemmsystem (Abb.14)

Motorrahmenseite (1), Motorrahmenseite (2) und Hauptquerträger (3) lose zusammenbauen (siehe Abb.1). Die Muttern (Abb.1.B) zur Befestigung der Querstange dürfen zu diesem Zeitpunkt nur handfest angezogen sein. Montieren Sie die Querstange, indem Sie die Betätigungsstangen (5) in die mittlere Betätigungsstange (4) schieben und an den Stangen der Motorbaugruppe befestigen (Abb.1.A). Befestigen Sie die Betätigungsstangen mit den mitgelieferten Schrauben und Muttern (bereits an den Betätigungsstangen befestigt) an diesen Stangen. Die Muttern (Abb.1.C) zur Befestigung dürfen in diesem Stadium nur handfest angezogen sein.

Legen Sie die Baugruppe (Abb.1) lose unter den Wohnwagen. Grundsätzlich sollte das Aggregat vor den Rädern des Wohnwagens montiert werden, ist eine Montage in dieser Position jedoch nicht möglich, so ist eine Montage an der der Räder, indem Sie die gesamte Baugruppe um 180° Grad drehen (Hinweis: Beziehen Sie sich in diesem Fall bei der Verkabelung Ihres Systems auf den Schaltplan der Hinterachse). Vergewissern Sie sich, dass der Hauptquerträger (3) in der Mitte der Caravan/Mover-Baugruppe positioniert ist (die Mitte ist markiert). Stellen Sie die seitliche Position jeder Motorseite so ein, dass sich die Rollen in der Mitte des Reifens oder so nahe wie möglich an der Mitte befinden, und stellen Sie sicher, dass zwischen dem Reifen und dem Getriebe des Mover ein Abstand von 10 mm verbleibt (Abb.10).

Studieren Sie Abb.14. Heben Sie auf einer Seite des Fahrzeugs die Rahmenbaugruppe an und befestigen Sie die Klemmbaugruppe lose an Rahmen und Chassis, wie in Abb. 14 dargestellt. Die mitgelieferten Klemmbefestigungen (7, 16, 17, 18) dürfen in diesem Stadium nur fingerfest angezogen werden. Sobald die losen Befestigungen selbsttragend sind, wiederholen Sie den Vorgang auf der anderen Seite des Fahrzeugs.



Gehen Sie beim Anheben und Befestigen des Rahmens und der Klammern mit der gebotenen Vorsicht vor. Verwenden Sie beim Anheben/Montieren Hebehilfen und/oder eine zweite Person.

Wenn die Hauptbaugruppe lose auf dem Fahrgestell montiert ist, schieben Sie die gesamte Baugruppe am Fahrgestell entlang, bis die Rollen (Abb.2.A oder Abb.3.A) 20 mm von der Oberfläche jedes Reifens entfernt sind (siehe Abb.5 oder Abb.8). Um diesen Abstand einzustellen, werden zwei 20-mm-Abstandshalter (30) mitgeliefert. Beachten Sie, dass sich die Mover in der ausgerasteten Position befinden müssen, wenn der 20-mm-Abstand eingestellt ist. Achten Sie bei der Einstellung des Abstands darauf, dass die Rollen beider Mover sowohl horizontal als auch vertikal mittig zu den Fahrzeugreifen ausgerichtet sind, um den bestmöglichen Radkontakt zu gewährleisten (siehe Abb. 10 als Referenz). Wenn die Rollenbreiten die des Reifens überschreiten, ist darauf zu achten, dass das Ende der Rolle mit der Außenwand des Reifens fluchtet. Ein Überstand an der Innenwand des Reifens ist bei dünneren Reifen akzeptabel und sollte die Funktion oder Haftung nicht drastisch beeinträchtigen.



Es ist wichtig, dass jede Rolle genau den gleichen Abstand zum Reifen hat. Die gesamte Baugruppe muss parallel zur Achse des Wohnwagens/Anhängers sein, damit das System wie vorgesehen funktioniert.

## Einbau - Klassisches Klemmsystem (Abb.14) Forts.

Wenn Sie mit dem Abstand zufrieden sind, ziehen Sie die vier Nyloc-Muttern (17) an beiden Spannvorrichtungen (Abb. 14) mit einem Anzugsmoment von 40 ft lbs/55Nm fest, dann die Schrauben (Abb. 1.B und Abb. 1.C) an jedem motorseitigen Rahmen mit einem Anzugsmoment von 9 ft lbs/12Nm. Überprüfen Sie erneut den Abstand von 20 mm zwischen den Rollen und den Reifen und lösen Sie gegebenenfalls die Schrauben und justieren Sie die Position der Baugruppe neu. Wenn Sie mit der Position der Baugruppe zufrieden sind, montieren Sie die Chassis-Stopp-Muttern und -Schrauben (7) in jeder der oberen Classic Clamp-Platten (8) und ziehen sie fest (siehe Abb.14). Ziehen Sie sie mit einem Drehmoment von 40 ft lbs/55Nm an. Die Anschlagschrauben greifen die Lippe des Fahrgestells und verhindern, dass der Mover auf dem Fahrgestell rutscht. Die wichtigsten mechanischen Komponenten sind nun installiert.

## Einbau - Haifischklemmsystem (Abb.15)

Montieren Sie die Haupttraverse (3) lose in die Motorrahmenseite (1) und die Motorrahmenseite (2) (siehe Abb.1). Die Muttern/Schrauben (Abb.1.B) an den Motorrahmen dürfen zu diesem Zeitpunkt nur handfest angezogen sein. Montieren Sie die Querbetätigungsstange, indem Sie die Betätigungsstangen (5) in die mittlere Betätigungsstange (4) schieben und an den Stangen der Motorbaugruppe befestigen (Abb.1.A). Befestigen Sie die Betätigungsstangen mit den mitgelieferten Schrauben und Muttern (bereits an den Betätigungsstangen befestigt) an diesen Stangen. Die Muttern (Abb.1.C) zur Befestigung dürfen in diesem Stadium nur handfest angezogen sein.

Legen Sie die Baugruppe (Abb.1) lose unter den Wohnwagen. Im Prinzip sollte die Einheit vor den Rädern des Wohnwagens montiert werden, aber wenn die Montage in dieser Position nicht möglich ist, kann sie auch hinter den Rädern montiert werden, indem die gesamte Baugruppe um 180° Grad gedreht wird.

Normalerweise wird die Shark Clamp auf den Motorseiten vormontiert, um die Montage zu erleichtern. Wenn die Klemmen jedoch separat gekauft wurden oder nicht vormontiert sind, sollten sie wie in (Abb.15) gezeigt auf dem Rahmen montiert werden. Bevor Sie versuchen, den Mover auf Ihrem Wohnwagenchassis zu installieren, vergewissern Sie sich, dass die Befestigungsmuttern (Abb.16.E) angezogen sind und die hinteren Bolzen (Abb.16.B) fixiert sind, so dass sich die obere Backe (Abb.16.C) in der vertikalen Achse verschieben kann.

Schieben Sie die obere Klemmbacke (Abb. 16.C) nach oben, um die Klemmbacken an einer Motorseite zu öffnen, wobei die Befestigungsmuttern und -schrauben lose montiert sind (Abb. 16.A und F). Hängen Sie die obere Klemmbacke in das Fahrgestell des Wohnwagens ein und lassen Sie die Motorseite einhängen. Wiederholen Sie diesen Vorgang mit der zweiten Motorseite, so dass die gesamte Baugruppe an Ort und Stelle aufgehängt ist.

Stellen Sie die seitliche Position jeder Motorseite so ein, dass sich die Rollen mittig zum Reifen oder so nah wie möglich an der Mitte befinden, wobei ein Abstand von 10 mm zwischen dem Reifen und dem Getriebe des Mover gewährleistet sein muss (Abb. 10). Vergewissern Sie sich nach dem Einstellen, dass die Klammern nicht verrutscht sind, indem Sie den Rahmen auf der Motorseite festhalten, während Sie die Klammern nach außen drücken, bis die Befestigungsbolzen und das Chassis nur noch 1-2 mm voneinander entfernt sind. Wenn Sie mit der Gesamtbreite des Mover-Systems zufrieden sind, ziehen Sie die Muttern/Schrauben der Querstange (Abb. 1B) und die Muttern/Schrauben der Kreuzbetätigung (Abb. 1C) mit 12 Nm an, um die Breite einzustellen.

Schieben Sie die gesamte Baugruppe am Fahrgestell entlang, bis die Rollen (Abb.2.A oder Abb.3.A) 20 mm von der Oberfläche des mittleren Reifens entfernt sind (Abb.5 oder Abb.8). Zwei 20-mm-Abstandshalter (30) werden mitgeliefert. Ziehen Sie die Klemmschrauben (Abb.16.A) an beiden Klemmbaugruppen mit einem Anzugsmoment von 40 ft lbs/55Nm fest.

## Einbau - Haifischklemmsystem (Abb. 15) Forts.

Beim Anziehen einer Klemmschraube kann sich die andere leicht lösen, so dass mehrere Durchgänge erforderlich sein können, bis beide Schrauben an jeder Klemme vollständig angezogen sind. Ein Tipp: Ziehen Sie alle Klemmbolzen an, bis ein starker Widerstand spürbar ist, bevor Sie sie vollständig festziehen.

Beachten Sie, dass die hinteren Muttern/Schrauben (Abb. 16.B und E) nicht angezogen werden müssen. Diese Komponenten dienen lediglich zur Unterstützung des Installationsprozesses und sind keine Befestigungsmethode.

## Installation - Mechanical Components (AWD Configuration)

Um eine Allradkonfiguration an Ihrem Caravan zu installieren, folgen Sie den Anweisungen, die in den vorherigen Abschnitten "Installation - Mechanische Komponenten" beschrieben sind. Der AWD-Einbau erfolgt nach genau demselben Verfahren, der einzige Unterschied besteht in der Ausrichtung der Mover. Bei einer AWD-Konfiguration müssen die Mover, die die Hinterachse des Fahrzeugs antreiben, zur Vorderseite des Anhängers hin ausgerichtet sein (siehe Abb. 12).

Beachten Sie unbedingt den Abschnitt zur AWD-Konfiguration im Installationshandbuch für Elektrik/Elektronik, um sicherzustellen, dass diese Motorbaugruppen wie vorgesehen und nicht gegeneinander arbeiten.

## Engagement/Deaktivierung von Umsteigern

Bei den Mover-Modellen EM4446 Ego Enduro und EGO400 Titanium erfolgt das Einkuppeln manuell. Um die Motoren einzukuppeln, setzen Sie das Einkuppelwerkzeug (6) auf die Motorspindel (Abb. 2.G oder Abb. 3.G) parallel zum Boden in einer vom Rad abgewandten Position. Zum Einkuppeln des Motors drehen Sie das Einkuppelwerkzeug um 180° in Richtung des betreffenden Rades (siehe Abb.4 oder Abb.7). Wenn Sie die Betätigungsstangen richtig montiert haben, sollte der Vorgang des Einkuppelns eines Motors anschließend auch die gegenüberliegende Seite des Fahrzeugs Einkuppeln.

Der Einrastmechanismus besteht aus einem einfachen Nocken, der die Rollen auf die Reifen drückt und dann automatisch einrastet. Wenn der Mover korrekt installiert wurde und im ausgerückten Zustand genau 20 mm von den Reifen entfernt ist, reicht die von der Rolle auf den Reifen ausgeübte Kraft für die meisten Anwendungsfälle aus (Abb. 6 oder Abb. 9).

Hinweis: Unabhängig davon, von welcher Seite des Fahrzeugs aus Sie die Einrastung vornehmen, sollte sich das Werkzeug zum Einrasten immer zum Rad hin und zum Ausrasten vom Rad weg drehen.

Um die Rollen zu lösen, setzen Sie das Werkzeug einfach wieder auf eine der Spindeln und drehen Sie es vom Reifen weg. Bitte beachten Sie, dass Sie anfangs einen kleinen Widerstand spüren, wenn Sie die Nocke aus ihrer verriegelten Position lösen; die Feder erledigt dann den Rest der Arbeit und zieht die Rolle vom Reifen weg und in die vollständig gelöste Position (Abb.5 oder Abb.8).

## Installation - elektrische/elektronische Komponenten

*Bitte lesen Sie das mit der Elektronik gelieferte Handbuch für die Verdrahtung, den Betrieb und die Fehlersuche, oder besuchen Sie [www.purpleline.co.uk/qtr-m003](http://www.purpleline.co.uk/qtr-m003)*



## Bürgschaft

Quattro® Caravan Mover Systeme haben in Großbritannien eine reine Teilegarantie für einen Zeitraum von 7 Jahren (EGO400 Quattro Titanium) und 5 Jahren (EM4446 Ego Enduro), die die ersten 12 Monate der gesetzlichen Gewährleistung sowie eine zusätzliche erweiterte Garantiezeit von 6 bzw. 4 Jahren umfasst. Bitte beachten Sie, dass die verlängerten Garantiezeiten nur gewährt werden, wenn die Produktregistrierung ausgefüllt und innerhalb von 14 Tagen nach dem Kaufdatum zurückgeschickt wird. Jegliche Garantieansprüche müssen unter Vorlage eines Kaufbelegs über den Ort des Kaufs abgewickelt werden. Die Garantie gilt nur für Produkte auf dem britischen Festland.

Innerhalb der Fünfjahresfrist wird der Hersteller nach eigenem Ermessen alle Teile ersetzen oder reparieren, die aufgrund eines Herstellungsfehlers ausgefallen sind.

Der Hersteller übernimmt keine Verantwortung für Folgeschäden jeglicher Art.

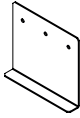
Bauteile, die bei der Überprüfung anhand der Packungsinhaltsliste fehlen, müssen innerhalb von 5 Arbeitstagen an die Verkaufsstelle gemeldet werden.

Diese Garantie gilt nur für den Erstkäufer des Produkts und ist nicht übertragbar. Was nicht abgedeckt ist:

- Normale Abnutzung und Verschleiß.
- Schäden, die auf Missbrauch oder Nachlässigkeit des Kunden zurückzuführen sind.
- Die Kosten für die Reparatur nach einer versehentlichen Beschädigung, einem Missbrauch des Produkts oder einer vorsätzlichen Manipulation.
- Die Garantie wird nicht für jede Art von gewerblicher Nutzung gewährt.
- Infolge des Rückrufs oder der Änderung aller Geräte einer Modellreihe.
- Höhere Gewalt, z. B. Schäden, die durch außergewöhnliche Ereignisse oder Umstände verursacht werden, auf die niemand Einfluss hat.
- Schäden infolge des Eindringens von Wasser.
- Beförderung oder zusätzliche Kosten, einschließlich Reisekosten oder Arbeitsaufwand.
- Caravan-Elektrik, einschließlich Sicherungen, Stecker, Batterien, Kabelverbindungen und Kabelbäume. Kratzer, Beulen, Lackierung und kosmetische Verkleidung.
- Schäden infolge unsachgemäßer Installation und/oder Nichtbeachtung der Montageanweisungen des Herstellers.
- Für Teile oder Komponenten, die nicht mehr hergestellt werden oder nicht mehr erhältlich sind, wird kein Versicherungsschutz gewährt.
- Der Versicherungsschutz wird nicht gewährt, wenn das Produkt in irgendeiner Weise verändert wurde.
- Schäden, die dadurch entstanden sind, dass das Produkt außerhalb der Belastungsempfehlungen des Herstellers verwendet wurde.

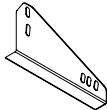
## Optionale Fitting-Adapter

Die unten gezeigten zusätzlichen Chassis-Klemmadapter sind käuflich zu erwerben:



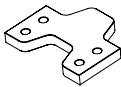
### Niedrigprofil-Gehäuseadapterplatten (Teile-Nr. CM-029)

Wenn Ihre Fahrgestellrahmenhöhe weniger als 140 mm beträgt, müssen diese Platten montiert werden, um die Baugruppe auf die richtige Höhe von 185 mm abzusenken. Möglicherweise sind Bohrungen am Fahrgestell erforderlich. Hinweis: In einigen Ländern muss die Installation von einem professionellen Techniker überprüft werden, um die örtlichen Vorschriften einzuhalten.



### Schmalspur-Fahrgestelladapter (Teile-Nr. CM-030)

Diese Platten müssen verwendet werden, wenn Sie ein AL-KO Vario III/AV Chassis haben, das eine Rahmenstärke von weniger als 2,8 mm hat. Sie müssen hinter der Achse mit Hilfe der bereits am Fahrgestell vorhandenen vorgebohrten Löcher angebracht werden; Ihr Mover muss also hinter der Achse montiert werden.



### 16mm Abstandshalter - 1 Paar (Teile-Nr. CM-028/Q)

Verwenden Sie Distanzstücke, um die Mover-Baugruppe abzusenken, wenn Ihr Fahrgestell eine Rahmenhöhe zwischen 140 und 185 mm hat. Es können maximal 3 Sätze Abstandshalter verwendet werden, um eine korrekte Rahmenhöhe von 185 mm zu erreichen. In Verbindung mit diesen Abstandshaltern muss ein Satz verlängerter Klemmbolzen verwendet werden (Teile-Nr. CM-031). (Nur zur Verwendung mit der Classic Clamp.)



### Satz mit 8 Schrauben M10 x 100 (Teile-Nr. CM-031)

Satz mit 8 verlängerten Klemmbolzen zur Verwendung mit 16-mm-Abstandshaltern. (Nur zur Verwendung mit der Classic Clamp.)

## GENEHMIGUNGSINFORMATIONEN

	BEWEGUNGSMODELL				
<b>GENEHMIGUNG</b>	QUATTRO600	EGO500	QUATTRO500	EGO400	EM4446
<b>UNECE R10</b>	E1*10R06/01*9650		E1*10R06/01*9651		
<b>ABE</b>	KBA 91897	KBA 91896	KBA 91897	KBA 91509	KBA 91230

Alle Motormobile verfügen über eine Allgemeine Betriebserlaubnis (ABE) für Deutschland. Die Zulassungen sind in der obigen Tabelle aufgeführt und auf den entsprechenden Produkten entsprechend vermerkt. ABE-Zulassungsdokumente können bei Purple Line angefordert oder von unserer Website heruntergeladen werden und müssen in Deutschland im Fahrzeug mitgeführt werden. Die Zulassung wird ungültig, wenn das Produkt außerhalb der in diesem Handbuch beschriebenen bestimmungsgemäßen Verwendung eingesetzt wird.

Alle Motorantriebsmodelle wurden gemäß den harmonisierten technischen Normen für die elektromagnetische Verträglichkeit von Kraftfahrzeuggeräten (UNECE R10 Add.9 Rev.6) zugelassen. Die Zulassungen sind in der obigen Tabelle aufgeführt und werden auf den entsprechenden Produkten entsprechend referenziert. Die Zulassung wird ungültig, wenn das Produkt außerhalb des in diesem Handbuch beschriebenen Betriebs verwendet wird.

Bei der Installation eines Mover-Systems müssen die technischen und administrativen Vorschriften des Landes, in dem das Fahrzeug zugelassen ist, beachtet werden. Jegliche Änderungen am Gerät oder die Verwendung von Ersatzteilen und Zubehör, die für den Betrieb des Systems wichtig sind und keine Originalteile von Purple Line sind, sowie die Nichtbeachtung der Installations- und Betriebsanleitung führen zum Erlöschen der Garantie und zur Freistellung von Purple Line von jeglichen Haftungsansprüchen. Darüber hinaus erlischt die Betriebserlaubnis für das Gerät.

## KONTAKTINFORMATIONEN

UK	Purple Line Limited Peninsula Business Centre Wherstead, Suffolk IP9 2BB, United Kingdom	Tel: +44 (0) 1473 601200 E-mail: <a href="mailto:info@purpleline.co.uk">info@purpleline.co.uk</a>
EU	Purple Line GmbH Jägerhofstraße 29, Düsseldorf, 40479, Deutschland	Tel: +44 (0) 1473 601200 E-mail: <a href="mailto:info@purpleline.co.uk">info@purpleline.co.uk</a>

# EU-KONFORMITÄTSERKLÄRUNG

**Hersteller:**

Purple Line Limited  
Peninsula Business Centre,  
Wherstead, Suffolk, IP9 2BB,  
United Kingdom

**Bevollmächtigter Vertreter:**

Purple Line GmbH  
Jägerhofstraße 29,  
40479 Düsseldorf,  
Germany

**Gegenstand der Erklärung:****Produkt-Bezeichnung:**  
**(Referenzcode)**

Quattro Caravan Motor Movers with  
Quattro Smart Electronics (QUATTRO400-001)

**Modelle:**

QUATTRO500, QUATTRO500/S, QUATTRO600, QUATTRO600/S  
EGO500, EGO500/S, EGO400, EGO400/S, EM4446, EM4446/S

Purple Line Limited, erklärt in alleiniger Verantwortung, dass die oben genannten Produkte bei bestimmungsgemäßem Gebrauch den wesentlichen Anforderungen der folgenden Richtlinien der Europäischen Union entsprechen:

Richtlinie über elektromagnetische Verträglichkeit [EMV]  
(2014/30/EU) ETSI EN301489-1 V2.2.0 (2017-03)  
ETSI EN301489-17 V3.2.0 (2017-03)  
ETSI EN301489-9

Funkanlagenrichtlinie [RED] (2014/53/EU)  
ETSI EN300328 V2.2.0 (2017-11)  
EN 62479: 2010

Richtlinie zur Beschränkung der Verwendung bestimmter gefährlicher Stoffe [RoHS]  
(2011/65/EU) EN IEC 63000:2018

Niederspannungsrichtlinie [LV]  
(2014/35/EU)  
EN 62368-1:2014+A11:2017

**Emittent:**

Purple Line Limited

**Standort:**

Suffolk, United Kingdom

**Unterschriftsberechtigter:**

Jonathan Harrison, Managing Director

**Datum:**

09/12/2022

**Unterschrift:**

A handwritten signature in black ink, appearing to read 'Jonathan Harrison', written over a horizontal line.

DOC-CE-QUATTRO400-001

# EU-KONFORMITÄTSERKLÄRUNG

**Hersteller:**

Purple Line Limited  
Peninsula Business Centre,  
Wherstead, Suffolk, IP9 2BB,  
United Kingdom

**Bevollmächtigter Vertreter:**

Purple Line GmbH  
Jägerhofstraße 29,  
40479 Düsseldorf,  
Germany

**Gegenstand der Erklärung:****Produkt-Bezeichnung:**  
**Referenzcode)**

Quattro Caravan Motor Movers with  
Basic Auto Engage Electronics (CM-071)

**Modelle:**

QUATTRO500, QUATTRO500/B, QUATTRO600, QUATTRO600/B  
EGO500, EGO500/B, EGO400, EGO400/B, EM4446, EM4446/B

Purple Line Limited, erklärt in alleiniger Verantwortung, dass die oben genannten Produkte bei bestimmungsgemäßem Gebrauch den wesentlichen Anforderungen der folgenden Richtlinien der Europäischen Union entsprechen:

Richtlinie über elektromagnetische Verträglichkeit [EMV]

(2014/30/EU) ETSI EN 301 489-1 V2.2.3

EN 55032:2015

EN 61000-3-2:2014

EN 61000-3-3:2013

EN 55035:2017

Funkanlagenrichtlinie [RED] (2014/53/EU) EN

IEC 63000:2018

Richtlinie zur Beschränkung der Verwendung bestimmter gefährlicher Stoffe [RoHS]

(2011/65/EU) EN IEC 63000:2018

**Emitent:**

Purple Line Limited

**Standort:**

Suffolk, United Kingdom

**Unterschriftsberechtigter:**

Jonathan Harrison, Managing Director

**Datum:**

09/12/2022

**Unterschrift:**

A handwritten signature in black ink, appearing to read 'Jonathan Harrison', is written over a horizontal line.



## Inhoudsopgave

INHOUD	PAGINA NO.
Inhoudsopgave	43
Inhoud van de verpakking (Fig.A)	44 - 45
Technische referentieschema's	46 - 50
Inleiding	51
Aanpassingsrichtlijnen	51
Specificatie	51
Installatie - Veiligheidsvoorschriften	52
Installatie - Mechanische onderdelen	52
Installatie - Klassiek klemsysteem	53 - 54
Installatie - Haai Klem Systeem	54 - 55
Installatie - Mechanische onderdelen (AWD-configuratie)	55
Betrokkenheid/afhalen van de verhuizer	55
Installatie - Elektrische/Elektronische Componenten	55
Onderhoud	56
Product Registratie	56
Garantie	57
Optionele montage-adapters	58
Goedkeuringsinformatie	59
Contactgegevens	59
EU-verklaring van overeenstemming	60 - 61

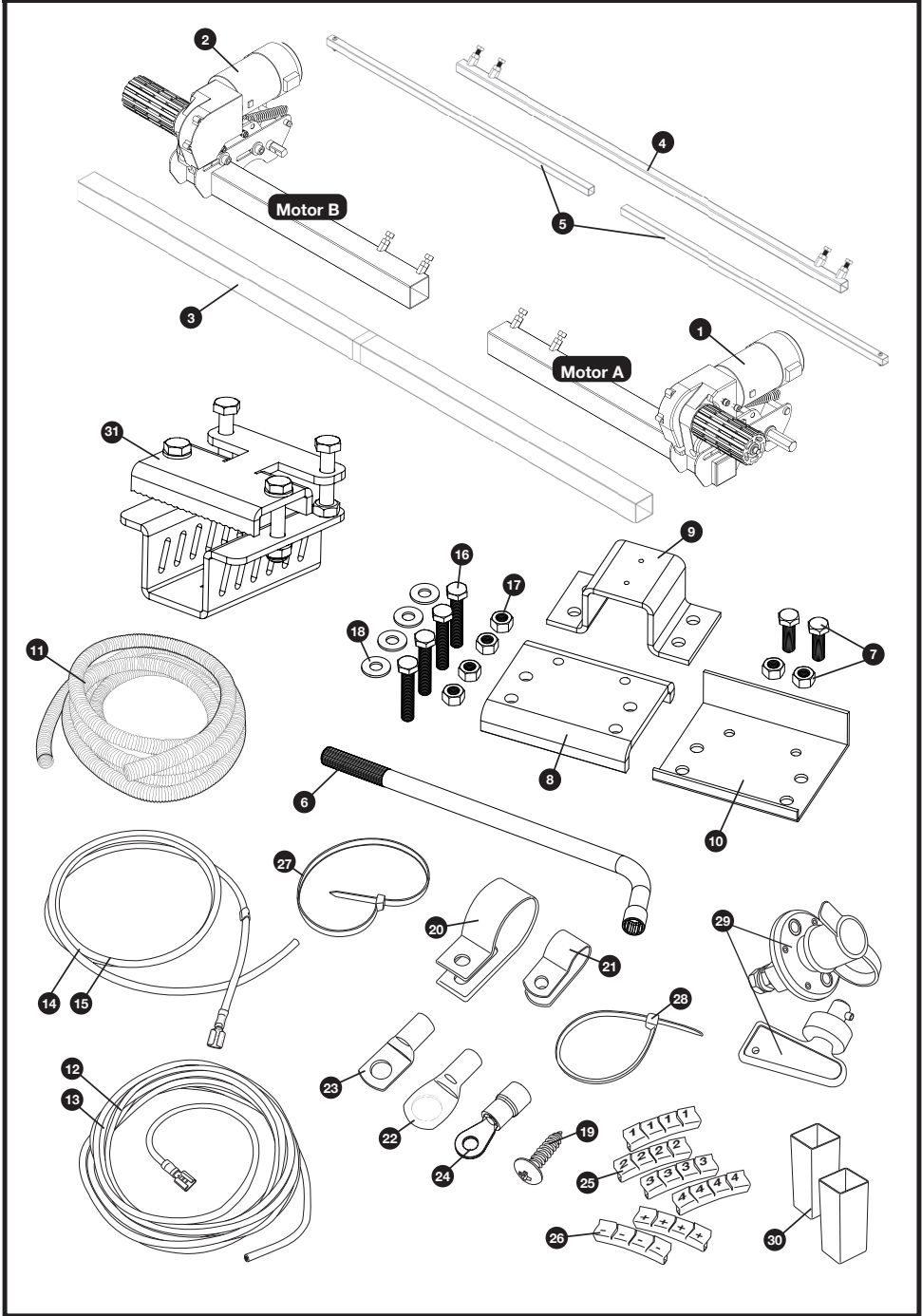
## Inhoud van de verpakking (Fig.A)

REF	QTY	BESCHRIJVING
1	1	Motoreenheid (A)
2	1	Motoreenheid (B)
3	1	Belangrijkste dwarsbalk
4	1	Kruisbediening mid-denstang
5	2	Kruisbediening inzetstukken
6	1	Instrument voor be-trokkenheid
7	4	Klassieke klem - Stopmoer en bout*
8	2	Klassieke klem - Bovenste plaat*
9	2	Klassieke klem - U-plaat*
10	2	Klassieke klem - Onderste plaat*
11	1	Geconvolueerde kabelgoten
12	2	Positieve (+) rode motordraad
13	2	Negatief (-) Zwarte motordraad
14	1	Positieve (+) rode accukabel
15	1	Negatieve (-) zwarte accukabel
16	8	Klassieke klem - M10x55mm bout
17	8	Klassieke klem - M10 Nyloc moer
18	8	Klassieke klem - Ring Ø10mm
19	20	M4x15mm P-Clip schroef
20	10	Kabel P-Clips 19,2mm
21	10	Kabel P-Clips 10,4mm
22	4	Batterijaansluiting Ø8mm
23	4	Ringaansluiting Ø6mm
24	4	Ringaansluiting Ø4mm
25	3	Kabelnummer marker-ingen (1,2,3,4)
26	3	Kabelpolariteitsmarker-ingen (+,-)
27	4	Motor Unit Kabelbind-ers 8x400
28	10	Kabelbinders 2x70
29	1	Stroomonderbre-kingsschakelaar (incl. sleutel en bevestigingen)
30	2	20mm rolafstandhoud-ers
31	2	Shark-klem bevestig-ingssysteem*



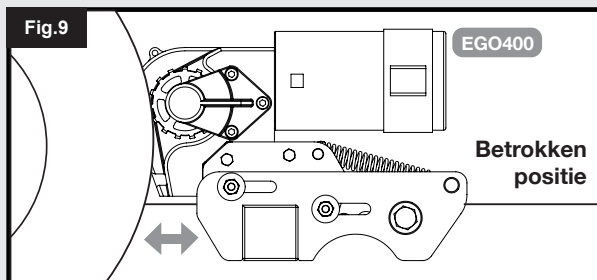
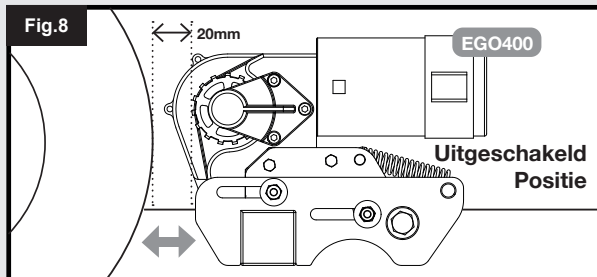
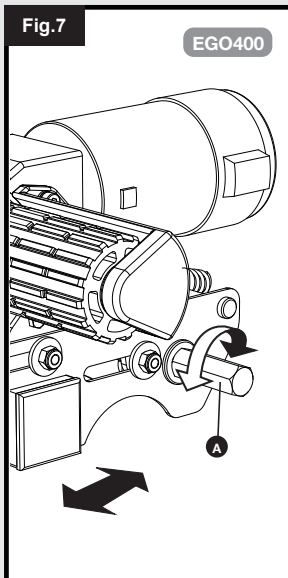
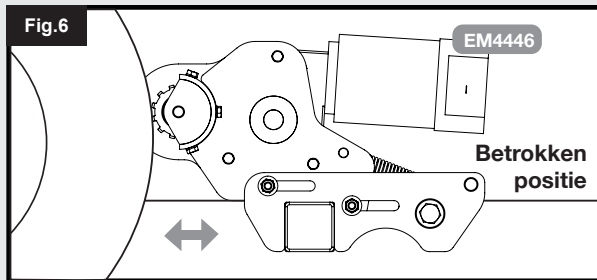
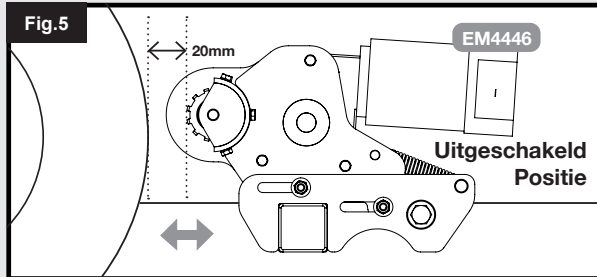
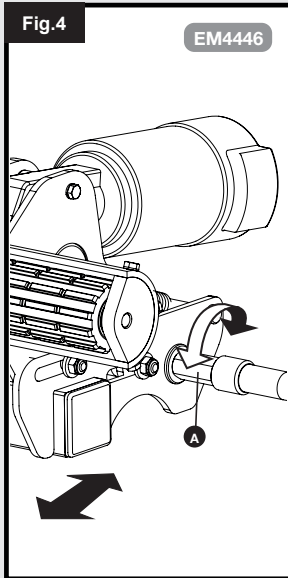
\*Afhankelijk van het model wordt de Classic Clamp of de Shark Clamp meegeleverd.

Fig.A





# Technische referentieschema's



# Technische referentieschema's

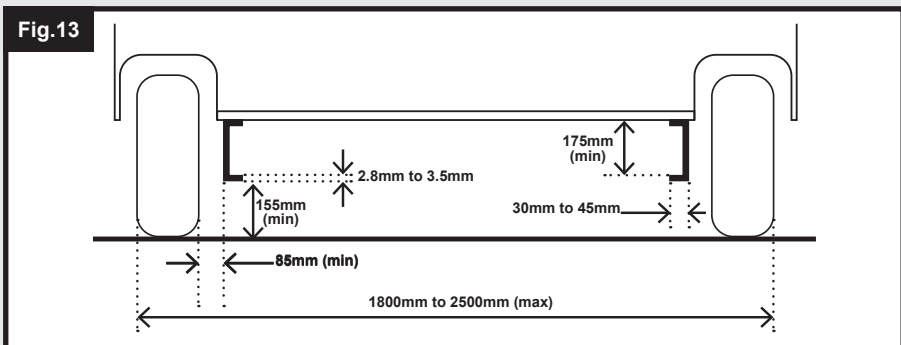
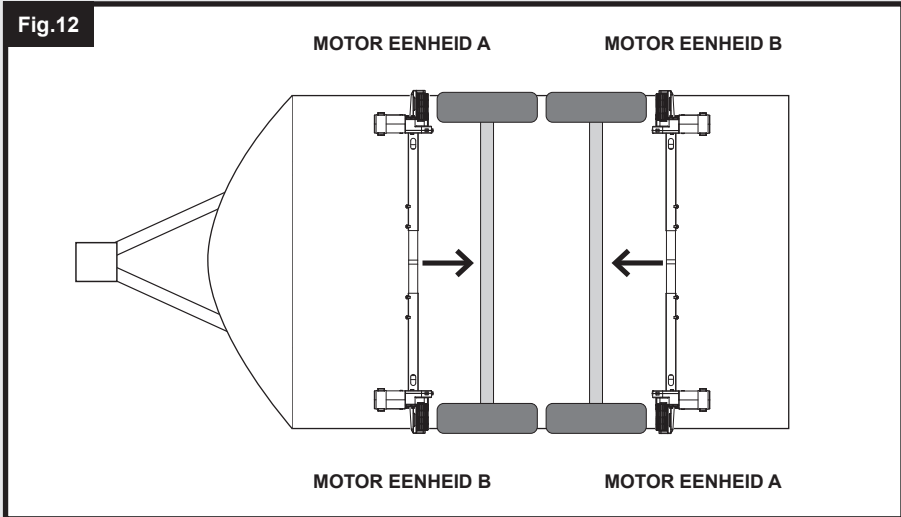
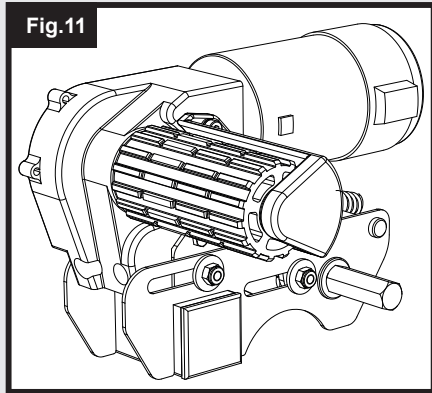
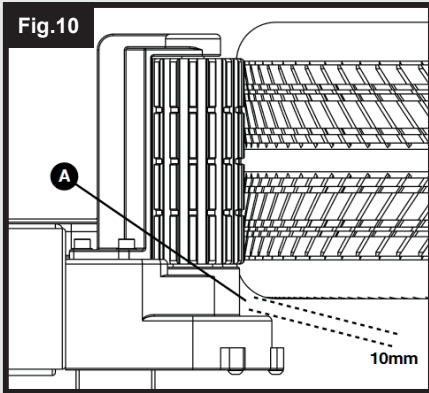
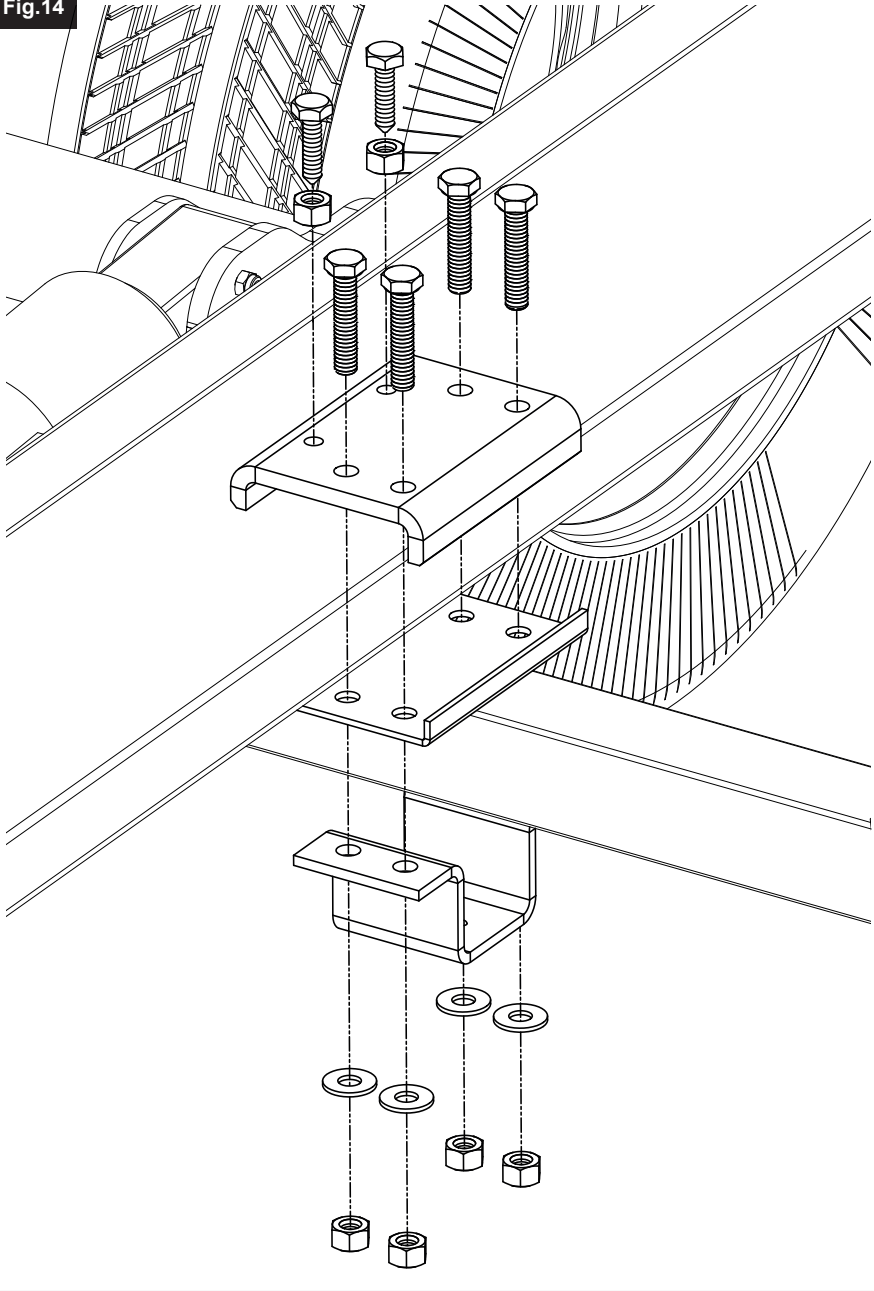


Fig.14



# Technische referentieschema's

Fig.15

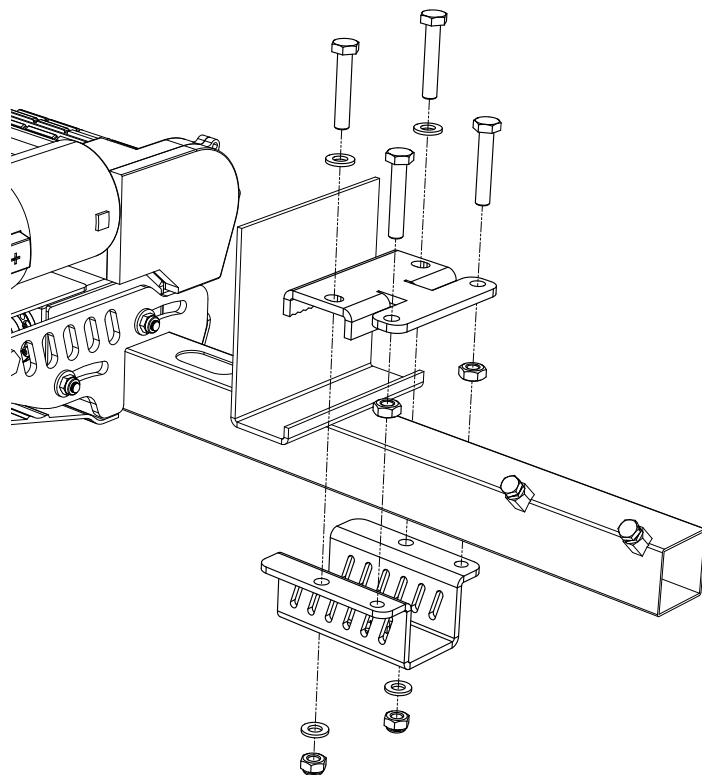
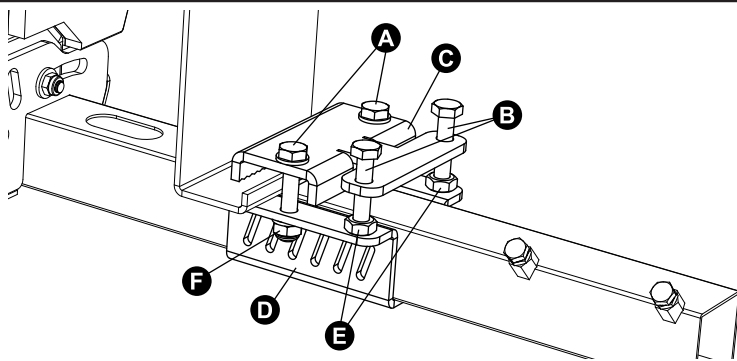


Fig.16



## Inleiding

Dank u voor het kiezen van deze caravan mover. Dit product is geproduceerd volgens hoge normen en heeft een zorgvuldige kwaliteitscontrole ondergaan. Met behulp van de afstandsbediening kunt u uw caravan moeiteloos in elke gewenste stand zetten binnen de gebruiksvorschriften.



Voordat u overgaat tot installatie en het gebruik van de mover, dient u deze handleiding zorgvuldig te lezen en op de hoogte te zijn van alle veiligheidsvoorschriften! De eigenaar van de caravan is altijd verantwoordelijk voor een juist gebruik. Bewaar deze handleiding in uw caravan voor de toekomst.

Deze installatiehandleiding heeft betrekking op twee modellen Caravan Mover: EM4446 - Ego Enduro en EGO400 - Quattro Titanium. Eventuele verschillen tussen de modellen worden waar nodig toegelicht. Het moversysteem bestaat uit twee 12V motorrollen, een 12V elektronische bedieningskast en een afstandsbediening. Om te kunnen functioneren, moeten de gemotoriseerde rollen tegen de banden van uw caravan aanliggen. Met het systeem voor kruisbediening kunt u de rollen van beide movers tegelijkertijd inschakelen. Zodra dit is gebeurd, is de mover klaar voor gebruik. Met de afstandsbediening kunt u uw caravan in alle richtingen verplaatsen.

Houd er rekening mee dat voor bepaalde installaties in Duitsland meer technische eisen gelden dan in de rest van Europa. Als de caravan mover na installatie gemakkelijk bereikbare scherpe randen heeft die niet door de carrosserie van de caravan worden bedekt, is het waarschijnlijk dat een extra afdekking moet worden geïnstalleerd. Neem contact op met Purple Line voor verdere assistentie en zie 'Optionele montage-adapters' waar deze optionele afdekkingen zijn vermeld met uitleg over de installatie.

## Aanpassingsrichtlijnen

De bij dit systeem geleverde chassisklemmen zijn geschikt voor montage op de meeste standaard caravanchassis met een L- of U-vormig profiel (Fig.11). Raadpleeg Fig.13 als referentie voor afmetingen en spelingen VOORDAT u verder gaat met de installatie. Als uw chassis andere afmetingen heeft dan die in Fig.13, dan zijn er diverse chassis klemadapters beschikbaar die geschikt zijn voor de meeste caravans in het Verenigd Koninkrijk en op het vasteland; zie het gedeelte van deze handleiding met de titel 'Optionele bevestigingsadapters'.

## Specificatie

Modelnummer	EGO400	EM4446
Bedrijfsspanning	12V DC	12V DC
Gemiddeld stroomverbruik *	25A (approx.)	25A (approx.)
Maximaal stroomverbruik **	120A	120A
Snelheid	12cm/s (approx.)	9cm/s (approx.)
Nettogewicht ongeveer (inclusief alle bevestigingen en accessoires)	35 kg	40 kg
Veilige werklust (SWL) Twin Motor/Quad Motor	2250kg / 3500kg	2250kg / 3500kg
Minimumbreedte (cara-van/aanhanger)	1800mm	1800mm
Maximale breedte (cara-van/aanhanger)	2500mm	2500mm
Stroombron (caravan vrijetijd-saccu)	12V	12V

\* Gemiddelde stroomverbruikswaarden bij gebruik van een eenassige caravan van ongeveer 1100 kg op een harde, vlakke ondergrond.

\*\* Maximale stroomverbruikmetingen bij gebruik van een eenassige caravan van ongeveer 1100 kg die een helling van 1:4 (25%) beklimt.

## Installatie - Veiligheidsvoorschriften



Lees deze gebruikershandleiding zorgvuldig voor installatie en gebruik. Het niet naleven hiervan kan leiden tot ernstig letsel of schade aan eigendommen.

Voordat u begint met de installatie van de caravan mover:

Controleer of de caravan is losgekoppeld van de accu en het elektriciteitsnet.

Gebruik alleen door de fabrikant geleverde of aanbevolen adapters en accessoires. Controleer of de banden niet te versleten zijn (montage op nieuwe of bijna nieuwe banden is de beste optie). Zorg ervoor dat de bandenspanning overeenkomt met de aanbevelingen van de fabrikant.

Zorg ervoor dat het chassis in goede staat is, zonder schade en vrij van roest, vuil enz.

Stop het werk onmiddellijk als u twijfelt over de montage of de procedures en raadpleeg een van onze ingenieurs.

Plaats de accu-isolatieschakelaar zodanig dat deze te allen tijde toegankelijk is bij het parkeren en verplaatsen van de caravan.

Verwijder, verander of wijzig GEEN onderdelen van het chassis, de as, de ophanging of het remmechanisme.

Bedien het apparaat NIET als u onder invloed bent van drugs, alcohol of medicijnen die uw vermogen om het apparaat veilig te gebruiken zouden kunnen aantasten.



Deze instructies dienen als algemene leidraad. De installatieprocedures kunnen per type caravan verschillen.



Gebruik een geschikte steun! Werken onder een voertuig zonder passende ondersteuning is uiterst gevaarlijk. Als u het mover-systeem zelf monteert, is het raadzaam dat de installatie door twee personen wordt uitgevoerd, omdat de mover tot op de bodem van het chassis van de caravan moet worden opgetild voordat de klemmen kunnen worden geïnstalleerd.



Vergeet niet vóór de montage het productregistratieformulier met de serienummers van elke motor in te vullen (zie details in het hoofdstuk Garantie van deze handleiding).

## Installatie - Mechanische onderdelen

Zorg ervoor dat uw caravan op een harde, vlakke ondergrond staat om met de mechanische installatie te beginnen. Indien mogelijk is het gebruik van een hefbrug of een montageput ideaal voor de toegang en persoonlijke veiligheid.

Zorg ervoor dat uw caravan voorbereid is op de installatie. Reinig de relevante montageplaatsen van uw chassis om een veilige montage van het mover-systeem te garanderen. Controleer voor de installatie of belangrijke plaatsen, zoals afvoeren, reservebanden enz. geen belemmering vormen voor de installatie van het mover-systeem en de beoogde werking ervan.

Pak alle onderdelen uit en controleer of alle onderdelen aanwezig zijn (zie Afb.A). De installatie-instructies zullen blijven verwijzen naar de onderdeelnummers in Fig.A. Voor en tijdens de installatie moet u ervoor zorgen dat de movers in de uitgeschakelde positie blijven (zie Fig.5 of Fig.8), omdat de eenheid anders niet goed past.

## Installatie - Klassiek klemsysteem (Fig.14)

Monteer losjes de motorframezijde (1), de motorframezijde (2) en de hoofddwarsbalk (3) (zie Fig.1). De moeren (Fig.1.B) voor de bevestiging van de dwarsbalk mogen in dit stadium niet meer dan vingerdruk zijn. Monteer de dwarsbalk door de bedieningsstaven (5) in de middenbalk (4) te schuiven en op de stangen van de motorassemblage (Fig.1.A) te monteren. Bevestig de bedieningsstaven aan deze stangen met behulp van de meegeleverde nyloc moer en bout (voorgemonteerd op de bedieningsstaven). De moeren (Fig.1.C) voor de bevestiging mogen in dit stadium niet meer dan vingerdruk zijn.

Plaats het geheel (Fig.1) losjes onder de caravan. In principe moet het geheel vóór de wielen van de caravan worden gemonteerd, maar als montage in deze positie niet mogelijk is, is het toegestaan het geheel aan de achterkant van de wielen door het geheel 180° graden te draaien (opmerking: raadpleeg in dit geval het schema van de achteras bij het aansluiten van het systeem). Zorg ervoor dat de hoofddwarsbalk (3) in het midden van de caravan/mover staat (het midden is gemarkeerd). Stel de laterale positie van elke motorzijde zodanig af dat de rollen in het midden van de band staan, of zo dicht mogelijk bij het midden, en zorg ervoor dat er 10 mm ruimte overblijft tussen de band en de versnellingsbak van de mover (Fig.10).

Bestudeer Fig.14. Breng het frame aan één kant van het voertuig omhoog en monteer de klemmen losjes op het frame en het chassis volgens Fig.14. De klemmen (7,16,17,18) mogen in dit stadium niet meer dan vingerdruk zijn. Herhaal de procedure aan de andere kant van het voertuig zodra de losse bevestigingen zichzelf ondersteunen.



Wees voorzichtig bij het optillen en bevestigen van het raamwerk en de klemmen. Gebruik tilhulpmiddelen en/of een tweede persoon bij het optillen/monteren.

Terwijl de hoofdgroep losjes op het chassis is gemonteerd, schuift u het geheel over het chassis totdat de rollen (Fig.2.A of Fig.3.A) 20 mm van het oppervlak van elke band verwijderd zijn (zie Fig.5 of Fig.8). Twee afstandhouders van 20 mm (30) worden meegeleverd om deze afstand in te stellen. Merk op dat de movers in de uitgeschakelde positie moeten staan wanneer de afstand van 20 mm wordt ingesteld. Zorg er bij het instellen van de afstand voor dat de rollen op beide movers zowel horizontaal als verticaal in het midden van de voertuigbanden staan, zodat het wiel optimaal contact maakt (zie Fig.10 ter referentie). Als de breedte van de rollen groter is dan die van de band, moet u ervoor zorgen dat het uiteinde van de rol uitgelijnd is met de buitenwand van de band. Overhang op de binnenwand van de band is aanvaardbaar bij dunnere banden en mag de werking of de grip niet drastisch beïnvloeden.



Het is belangrijk dat elke rol zich op precies dezelfde afstand van de band bevindt. Het geheel moet parallel aan de as van de caravan/aanhanger staan om het systeem naar behoren te laten functioneren.

## Installatie - Klassiek klemstelsel (Fig.14) vervolg

Zodra u tevreden bent over de afstand tussen de movers, draait u de vier nylocmoeren (17) op beide klemmen (Fig. 14) volledig vast met een koppel van 40 ft lbs/55Nm, en vervolgens de bouten (Fig. 1.B en Fig. 1.C) op elk kader aan de motorzijde met een koppel van 9 ft lbs/12Nm. Controleer opnieuw de afstand van 20 mm tussen de rollen en de banden en draai zo nodig de bouten los en stel de positie van het geheel opnieuw in. Zodra u tevreden bent met de positie van het geheel, plaatst u de bouten en moeren (7) in elk van de Classic Clamp Upper Plates (8) en draait u ze vast (zie Fig. 14). Draai ze vast met een koppel van 40 ft lbs/55Nm. De stopbouten grijpen in de lip van het chassis en helpen voorkomen dat de mover langs het chassis glijdt.

De belangrijkste mechanische onderdelen zijn nu geïnstalleerd.

## Installatie - Haai Klem Stelsel (Fig.15)

Monteer de hoofd dwarsbalk (3) losjes aan de kant van het motorframe (1) en de kant van het motorframe (2) (zie Fig.1). De moeren/bouten (Fig. 1.B) op de motorframes mogen in dit stadium niet meer dan vingerdruk zijn. Monteer de dwarsbalk door de bedieningsstaven (5) in de centrale bedieningsbalk (4) te schuiven en op de stangen van de motor te monteren (Fig.1.A). Bevestig de bedieningsstaven aan deze stangen met behulp van de meegeleverde nyloc moer en bout (voorgemonteerd op de bedieningsstaven). De moeren (Fig. 1.C) voor de bevestiging mogen in dit stadium niet meer dan vingerdruk zijn.

Plaats het geheel (Fig. 1) losjes onder de caravan. In principe moet het geheel vóór de wielen van de caravan worden geplaatst, maar als dit niet mogelijk is, kan het ook achter de wielen worden geplaatst door het geheel 180° te draaien.

Gewoonlijk is de Shark-klem voorgemonteerd op de motorzijden om de montage te vergemakkelijken, maar als de klemmen apart zijn gekocht of niet zijn voorgemonteerd, moeten ze op het frame worden gemonteerd zoals getoond in (Fig. 15). Voordat u de mover op het chassis van uw caravan monteert, moet u ervoor zorgen dat de bevestigingsmoeren (Fig. 16.E) zijn vastgedraaid, zodat de achterste bouten (Fig. 16.B) op hun plaats zitten en de bovenste bek (Fig. 16.C) in de verticale as kan bewegen.

Schuif de bovenste bek (Afb. 16.C) met de bevestigingsmoeren en -bouten losjes gemonteerd (Afb. 16.A en F) omhoog om de bekken van de klem aan één motorzijde te openen. Haak de bovenste bek aan het chassis van de caravan en laat de motorzijde hangen. Herhaal dit proces met de tweede motorzijde, zodat het geheel op zijn plaats hangt.

Stel, met de dwarsbalkmoeren/bouten los (Fig. 1B), de laterale positie van elke motorzijde zodanig af dat de rollen in het midden van de band staan, of zo dicht mogelijk bij het midden, en zorg ervoor dat er 10 mm ruimte overblijft tussen de band en de versnellingsbak van de mover (Fig. 10). Controleer na het afstellen of de klemmen niet uit positie zijn verschoven door het frame aan de motorzijde stevig vast te houden, terwijl u de klemmen naar buiten duwt totdat de bevestigingsbouten en het chassis zich binnen 1-2mm van elkaar bevinden. Zodra u tevreden bent met de totale breedte van het moversysteem, draait u de moeren/bouten van de dwarsbalk (Fig. 1B) en de moeren/bouten van de kruisbediening (Fig. 1C) aan tot 9 ft lbs/12Nm om de breedte in te stellen.

Schuif het geheel langs het chassis totdat de rollen (Fig. 2.A of Fig. 3.A) 20mm van het oppervlak van het midden van elke band verwijderd zijn (Fig. 5 of Fig. 8). Twee afstandhouders van 20mm (30) zijn voorzien. Draai de klembouten (Fig. 16.A) van beide klemmen volledig aan met een koppel van 40 ft lbs/55Nm. Bij het aandraaien van de ene klembout kan de andere iets losser komen te zitten, dus het kan meerdere keren nodig zijn om beide bouten op elke klem volledig aan te draaien. Een tip is om alle klembouten aan te draaien tot er een sterke weerstand is voordat u ze volledig aandraait.

## Installatie - Haai Klem System (Fig.15) vervolg.

De achterste moeren/bouten (Fig.16.B en E) hoeven niet te worden aangedraaid. Deze onderdelen zijn er alleen om te helpen bij de installatie en zijn geen bevestigingsmethode.

## Installatie - Mechanische onderdelen (AWD-configuratie)

Om een configuratie met vierwielaandrijving op uw caravan te installeren, volgt u dezelfde instructies als in de vorige hoofdstukken 'Installatie - Mechanische onderdelen'. AWD wordt op exact dezelfde manier geïnstalleerd, met als enige verschil de oriëntatie van de movers. Bij een AWD-configuratie moeten de movers die de achteras van het voertuig aandrijven naar de voorkant van de caravan gericht zijn (zie Fig.12).

Zorg ervoor dat u het hoofdstuk over AWD-configuratie in de Elektrische/Elektronische installatiehandleiding nauwkeurig volgt om ervoor te zorgen dat deze motoreenheden werken zoals bedoeld en elkaar niet tegenwerken.

## Betrokkenheid/afhaken van de verhuizer

Bij de modellen EM4446 Ego Enduro en EGO400 Titanium mover is het inschakelen handmatig. Om de motoren in te schakelen, plaatst u het gereedschap (6) op de motorspil (Fig.2.G of Fig.3.G) parallel aan de grond op een plaats die van het betreffende wiel af wijst. Om de motor in te schakelen, draait u het gereedschap 180° in de richting van het betreffende wiel (zie Fig.4 of Fig.7). Als de kruislings geplaatste bedieningsstangen correct zijn gemonteerd, moet het inschakelen van de ene mover vervolgens ook de andere kant van het voertuig inschakelen.

Het inschakelmechanisme maakt gebruik van een eenvoudige nok over het midden die de rollen op de banden duwt en vervolgens automatisch vergrendelt. Als de mover correct is geïnstalleerd, op precies 20 mm afstand van de banden in uitgeschakelde toestand, is de hoeveelheid kracht die de rollen op de band uitoefenen voldoende voor de meeste gebruiksomstandigheden (Fig.6 of Fig.9).

Opmerking: Ongeacht vanaf welke kant van het voertuig u de inschakeling verricht, het gereedschap moet altijd naar het wiel toe draaien om in te grijpen, en van het wiel af om te ontgrendelen.

Om de rollen te ontkoppelen, plaatst u het gereedschap weer op een van de assen en draait u het van de band weg. Merk op dat u aanvankelijk een kleine weerstand voelt wanneer u de nok uit zijn vergrendelde positie haalt; de veer doet dan de rest van het werk en trekt de rol weg van de band en in de volledig uitgeschakelde positie (Fig.5 of Fig.8).

## Installatie - Elektrische/Elektronische Componenten

*Raadpleeg de bij de elektronica geleverde handleiding voor installatie van de bedrading, bedieningsinstructies en probleemoplossing, of ga naar [www.purpleline.co.uk/qtr-m003](http://www.purpleline.co.uk/qtr-m003).*

## Onderhoud

Controleer regelmatig of de rollers van de aandrijfeenheden vrij zijn van vuil of resten die tijdens het gebruik of tijdens perioden van inactiviteit zijn opgepikt.

Controleer regelmatig de afstand tussen de rollen en de banden. In de neutrale, volledig uitgeschakelde stand (Fig.5 of Fig.8) moet deze 20 mm zijn.

Laat uw caravan movers eenmaal per jaar onderhouden en visueel inspecteren. Deze inspectie moet betrekking hebben op alle bout/moerverbindingen, de kabels en elektrische aansluitingen en de smering van de beweegbare delen/verbindingen.

Door lange periodes van inactiviteit kunnen elementen van de movers vastlopen. Behandel dit dienovereenkomstig door smering toe te passen en waar nodig oxidatie te verwijderen.

Gebruik GEEN enkele vorm van water onder druk of chemische reiniging op uw caravan movers.



Bij het onderhoud van uw motorbesturingsstelsel moet u de elektrische voeding isoleren, anders kan dit leiden tot elektrocutie.

Neem bij storingen of problemen contact op met de leverancier van uw Caravan Mover.

## Product Registratie

Registreer uw Quattro® caravan mover online binnen 14 dagen na aankoop. Registratie is snel en eenvoudig, ga naar [www.purpleline.co.uk/product-registration](http://www.purpleline.co.uk/product-registration). Bewaar uw originele aankoopbon.

Vul de serienummers + aanvullende informatie in en bewaar deze handleiding voor toekomstig gebruik. De serienummers vindt u op het productlabel op elk van de motoronderdelen. Het serienummer kan tot 18 cijfers lang zijn. Noteer uw serienummers in het onderstaande gedeelte voor toekomstig gebruik. De serienummers zijn nodig voor de productregistratie.

Motorserienummer	<input type="text"/>
	<input type="text"/>
Datum van aankoop	<input type="text"/>
Naam dealer	<input type="text"/>

## Garantie

Quattro® caravan mover systemen zijn voorzien van een UK parts only garantie voor een periode van 7 jaar (EGO400 Quattro Titanium) en 5 jaar (EM4446 Ego Enduro) waarin de eerste 12 maanden wettelijk zijn inbegrepen, plus een extra verlengde garantieperiode van respectievelijk 6 en 4 jaar. Houd er rekening mee dat de verlengde garantieperioden alleen worden aangeboden als de productregistratie wordt ingevuld en binnen 14 dagen na de aankoopdatum wordt geretourneerd. Garantieclaims moeten worden ingediend via de plaats van aankoop met een aankoopbewijs. De garantiedekking is beperkt tot producten op het vasteland van Groot-Brittannië.

Binnen de periode van vijf jaar zal de fabrikant, naar eigen goeddunken, alle onderdelen die het begeven hebben vervangen of repareren indien dit te wijten is aan een fabricagefout.

De fabrikant neemt geen verantwoordelijkheid voor welke gevolgschade dan ook.

Onderdelen die bij controle aan de hand van de inhoudsopgave van de verpakking ontbreken, moeten binnen 5 werkdagen aan de plaats van aankoop worden gemeld.

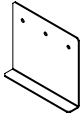
Deze garantiedekking geldt alleen voor de oorspronkelijke koper van het product en is niet overdraagbaar.

Wat wordt niet gedekt:

- Normale slijtage.
- Schade die geacht wordt het gevolg te zijn van verkeerd gebruik of verwaarlozing door de klant.
- De kosten van reparatie na onopzettelijke schade, misbruik van het product of opzettelijke manipulatie.
- Garantie wordt niet geboden voor enige vorm van handels- of commercieel gebruik.
- Als gevolg van de terugroeping of wijziging van alle apparatuur in een modelreeks.
- Overmacht, bijvoorbeeld schade veroorzaakt door buitengewone gebeurtenissen of omstandigheden waarover niemand controle heeft.
- Schade als gevolg van binnendringend water.
- Vervoer of andere bijkomende kosten, zoals reiskosten of arbeidsloon.
- Elektra van de caravan, inclusief zekeringen, stekkers, accu's, bedrading en kabelbomen. Krassen, deuken, lak en cosmetische afwerking.
- Schade als gevolg van onjuiste installatie en/of veronachtzaming van de montagevoorschriften van de fabrikant.
- Er wordt geen dekking verleend voor onderdelen of componenten die niet meer geproduceerd of niet meer verkrijgbaar zijn.
- Er wordt geen dekking verleend indien het product op enigerlei wijze is gewijzigd.
- Schade als gevolg van het gebruik van het product buiten de door de fabrikant aanbevolen belasting.

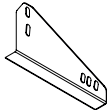
## Optionele aansluitadapters

De hieronder getoonde extra chassisklemadapters zijn verkrijgbaar:



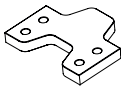
### Laag profiel chassisadapterplaten (onderdeelnr. CM-029)

Als uw chassisframe minder dan 140 mm hoog is, moeten deze platen worden gemonteerd om het geheel op de juiste hoogte van 185 mm te brengen. Het kan nodig zijn in uw chassis te boren. Opmerking: In sommige landen moet de installatie worden gecontroleerd door een professionele technicus om te voldoen aan de plaatselijke voorschriften.



### Smalspoor Chassis Adapters (Onderdeelnr. CM-030)

Deze platen moeten worden gebruikt als u een AL-KO Vario III/AV chassis heeft met een framedikte van minder dan 2,8 mm. Deze moeten achter de as worden geplaatst via voorgeboorde gaten die al op het chassis aanwezig zijn; uw mover moet dus achter de as worden gemonteerd.



### 16mm afstandhouders - 1 paar (Onderdeelnr. CM-028/Q)

Gebruik afstandsstukken om de mover te verlagen als uw chassis een framehoogte heeft tussen 140 en 185 mm. U kunt maximaal 3 sets afstandhouders gebruiken om een correcte framehoogte van 185 mm te bereiken. Een set verlengde klembouten moet worden gebruikt in combinatie met deze afstandhouders (onderdeelnr. CM-031).

*[Alleen voor gebruik met Classic Clamp].*



### Set van 8 bouten M10 x 100 (onderdeelnr. CM-031)

Set van 8 verlengde klembouten voor gebruik met 16mm afstandsbussen.

*[Alleen voor gebruik met Classic Clamp].*

## GOEDKEURINGSINFORMATIE

	MOVERMODEL				
<b>APPROVAL</b>	QUATTRO600	EGO500	QUATTRO500	EGO400	EM4446
<b>UNECE R10</b>	E1*10R06/01*9650		E1*10R06/01*9651		
<b>ABE</b>	KBA 91897	KBA 91896	KBA 91897	KBA 91509	KBA 91230

Voor alle motormodellen zijn algemene bedrijfsvergunningen (ABE) voor Duitsland afgegeven. De goedkeuringen staan vermeld in de bovenstaande tabel en worden dienovereenkomstig vermeld op de desbetreffende producten. ABE-goedkeuringsdocumenten kunnen worden aangevraagd bij Purple Line of gedownload van onze website en moeten in Duitsland in het voertuig aanwezig zijn. De goedkeuring vervalt als het product wordt gebruikt buiten het beoogde gebruik zoals beschreven in deze handleiding.

Alle modellen motorbewegingen zijn goedgekeurd volgens de geharmoniseerde technische normen inzake elektromagnetische compatibiliteit van automobielapparatuur (UNECE R10 Add.9 Rev.6). De goedkeuringen staan vermeld in de bovenstaande tabel en worden dienovereenkomstig vermeld op de desbetreffende producten. De goedkeuring vervalt als het product wordt gebruikt buiten het beoogde gebruik zoals beschreven in deze handleiding.

De technische en administratieve voorschriften van het land waarin het voertuig is geregistreerd, moeten worden nageleefd wanneer een Mover-systeem wordt geïnstalleerd. Elke wijziging aan het toestel, of het gebruik van onderdelen en accessoires die belangrijk zijn voor de werking van het systeem en die geen originele Purple Line onderdelen zijn, en het niet naleven van de installatie- en gebruiksinstructies zal de garantie doen vervallen en Purple Line vrijwaren van alle aansprakelijkheidsclaims. Bovendien vervalt de operationele goedkeuring voor het toestel.

## CONTACTGEGEVENS

UK Purple Line Limited  
Peninsula Business Centre  
Wherstead, Suffolk  
IP9 2BB, United Kingdom

Tel: +44 (0) 1473 601200  
E-mail: [info@purpleline.co.uk](mailto:info@purpleline.co.uk)

EU Purple Line GmbH  
Jägerhofstraße 29,  
Düsseldorf,  
40479, Deutschland

Tel: +44 (0) 1473 601200  
E-mail: [info@purpleline.co.uk](mailto:info@purpleline.co.uk)

## EU-VERKLARING VAN OVEREENSTEMMING

**Fabrikant:**

Purple Line Limited  
Peninsula Business Centre,  
Wherstead, Suffolk, IP9 2BB,  
United Kingdom

**Gemachtigd vertegenwoordiger:**

Purple Line GmbH  
Jägerhofstraße 29,  
40479 Düsseldorf,  
Germany

**Voorwerpen van de aangifte:****Productaanduiding:  
(Referentiecode)**

Quattro Caravan Motor Movers with  
Quattro Smart Electronics (QUATTRO400-001)

**Modellen:**

QUATTRO500, QUATTRO500/S, QUATTRO600, QUATTRO600/S  
EGO500, EGO500/S, EGO400, EGO400/S, EM4446, EM4446/S

Purple Line Limited, verklaart op eigen verantwoordelijkheid dat de bovengenoemde producten voldoen aan de essentiële eisen van de volgende richtlijnen van de Europese Unie, wanneer ze worden gebruikt waarvoor ze bedoeld zijn:

Richtlijn elektromagnetische compatibiliteit [EMC] (2014/30/EU)

ETSI EN301489-1 V2.2.0 (2017-03)

ETSI EN301489-17 V3.2.0 (2017-03)

ETSI EN301489-9

Richtlijn radioapparatuur [RED] (2014/53/EU)

ETSI EN300328 V2.2.0 (2017-11)

EN 62479: 2010

Beperking van het gebruik van bepaalde gevaarlijke stoffen [RoHS] Richtlijn  
(2011/65/EU) EN IEC 63000:2018

Laagspanningsrichtlijn [LV] (2014/35/EU)

EN 62368-1:2014+A11:2017

**Emittent:**

Purple Line Limited

**Locatie:**

Suffolk, United Kingdom

**Bevoegde ondertekenaar:**

Jonathan Harrison, Managing Director

**Datum:**

09/12/2022

**Handtekening:**

A handwritten signature in black ink, appearing to read 'Jonathan Harrison', is written over a horizontal line.

DOC-CE-QUATTRO400-001

## EU-VERKLARING VAN OVEREENSTEMMING

**Fabrikant:**

Purple Line Limited  
Peninsula Business Centre,  
Wherstead, Suffolk, IP9 2BB,  
United Kingdom

**Gemachtigd vertegenwoordiger:**

Purple Line GmbH  
Jägerhofstraße 29,  
40479 Düsseldorf,  
Germany

**Voorwerpen van de aangifte:****Productaanduiding:  
(Referentiecode)**

Quattro Caravan Motor Movers with  
Basic Auto Engage Electronics (CM-071)

**Modellen:**

QUATTRO500, QUATTRO500/B, QUATTRO600, QUATTRO600/B  
EGO500, EGO500/B, EGO400, EGO400/B, EM4446, EM4446/B

Purple Line Limited, verklaart op eigen verantwoordelijkheid dat de bovengenoemde producten voldoen aan de essentiële eisen van de volgende richtlijnen van de Europese Unie, wanneer ze worden gebruikt waarvoor ze bedoeld zijn:

Richtlijn elektromagnetische compatibiliteit [EMC] (2014/30/EU)

ETSI EN 301 489-1 V2.2.3

EN 55032:2015

EN 61000-3-2:2014

EN 61000-3-3:2013

EN 55035:2017

Richtlijn radioapparatuur [RED] (2014/53/EU) EN

IEC 63000:2018

Beperking van het gebruik van bepaalde gevaarlijke stoffen [RoHS] Richtlijn  
(2011/65/EU) EN IEC 63000:2018

**Emittent:**

Purple Line Limited

**Locatie:**

Suffolk, United Kingdom

**Bevoegde ondertekenaar:**

Jonathan Harrison, Managing Director

**Datum:**

09/12/2022

**Handtekening:**

A handwritten signature in black ink, appearing to read 'Jonathan Harrison', written over a horizontal line.

DOC-CE-CM071



## Table des matières

SOMMAIRE	PAGE NO.
Table des matières	62
Contenu de l'emballage (Fig.A)	63 - 64
Diagrammes de référence technique	65 - 69
Introduction	70
Directives d'ajustement	70
Spécifications	70
Installation - Consignes de sécurité	71
Installation - Composants mécaniques	71
Installation - Système de fixation classique	72 - 73
Installation - Système de fixation Shark	73 - 74
Installation - Composants mécaniques (configuration AWD)	74
Engagement/désengagement des déménageurs	74
Installation - Composants électriques/électroniques	74
Maintenance	75
Enregistrement du produit	75
Garantie	76
Adaptateurs de montage en option	77
Information sur l'approbation	78
Informations de contact	78
Déclaration de conformité de l'UE	79 - 80

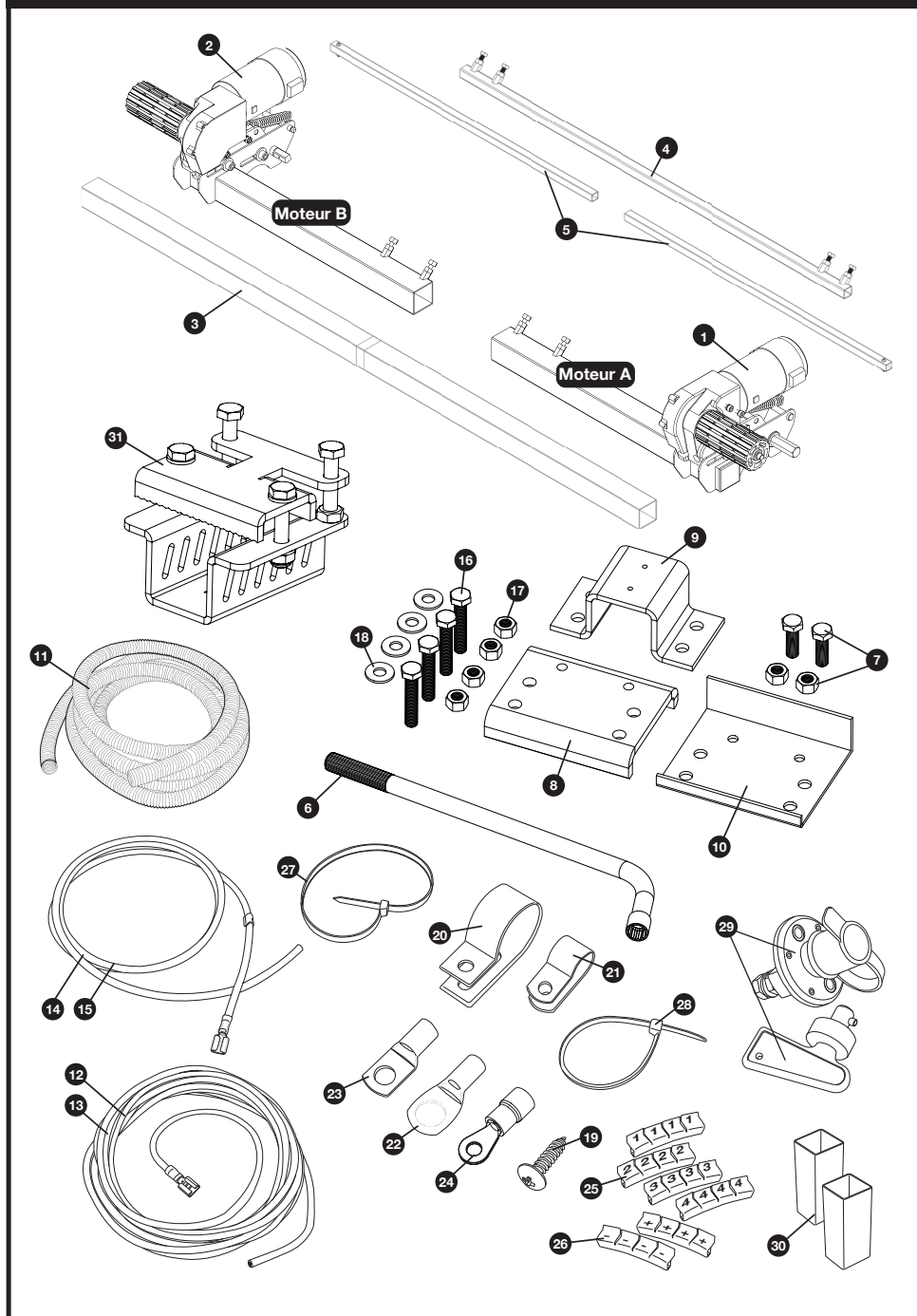
## Contenu de l'emballage (Fig.A)

REF	QTÉ	DESCRIPTION
1	1	Unité moteur (A)
2	1	Unité moteur (B)
3	1	Barre transversale principale
4	1	Barre centrale d'actionnement de la croix
5	2	Barres d'insertion à actionnement croisé
6	1	Outil d'engagement
7	4	Collier de serrage classique - Écrou d'arrêt et boulon*.
8	2	Pince classique - Plaque supérieure*
9	2	Pince classique - Plaque en U
10	2	Pince classique - Plaque inférieure *
11	1	Goulotte de câble convexe
12	2	Fil rouge positif (+) du moteur
13	2	Fil noir négatif (-) du moteur
14	1	Fil rouge positif (+) de la batterie
15	1	Fil noir négatif (-) de la batterie
16	8	Pince classique - Boulon M10x55mm
17	8	Pince classique - Écrou Nyloc M10
18	8	Pince classique - Rondelle Ø10mm
19	20	Vis P-Clip M4x15mm
20	10	P-Clips de câble 19.2mm
21	10	P-Clips de câble 10.4mm
22	4	Connecteur de borne de batterie Ø8mm
23	4	Connecteur à anneau terminal Ø6mm
24	4	Connecteur à anneau terminal Ø4mm
25	3	Marqueurs de numéro de câble (1,2,3,4)
26	3	Repères de polarité des câbles (+,-)
27	4	Attache-câbles pour unité moteur 8x400
28	10	Attaches de câbles 2x70
29	1	Interrupteur-sectionneur de puissance (avec clé et fixations)
30	2	Entretoises de 20 mm pour l'écartement des rouleaux
31	2	Système de montage par pinces Shark*.



\*Selon le modèle, la pince classique ou la pince Shark sera fournie.

Fig.A



# Diagrammes de référence technique

Fig.1

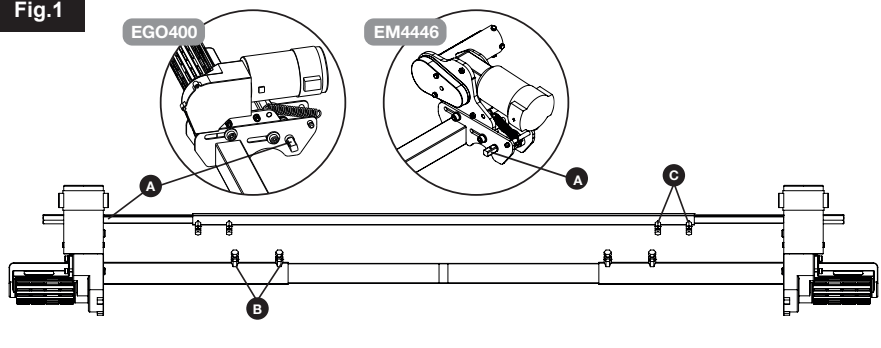
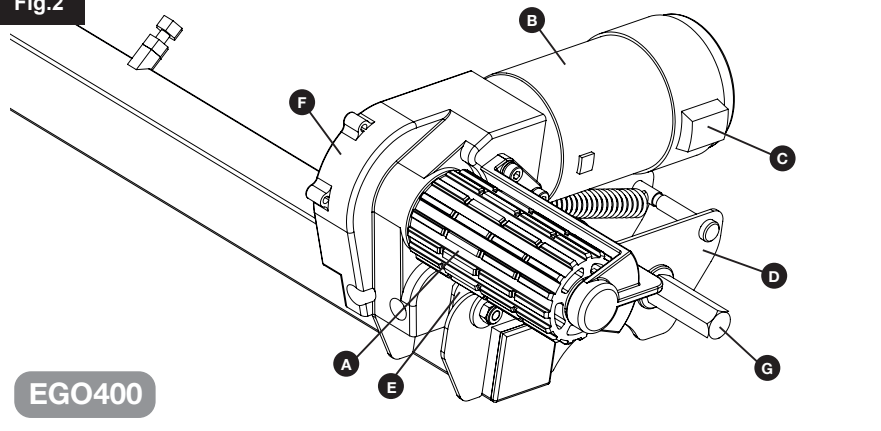
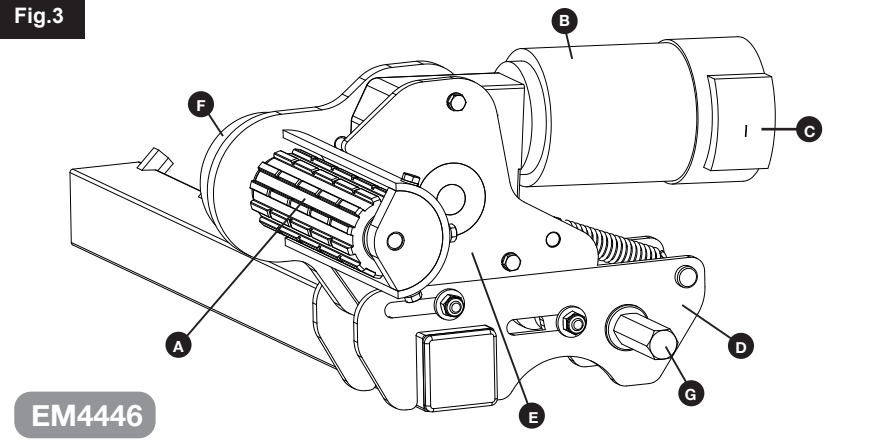


Fig.2



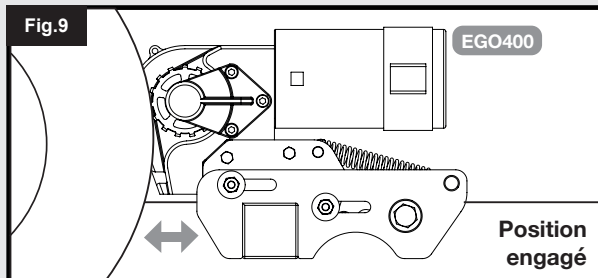
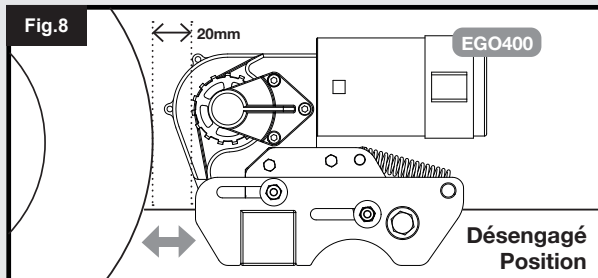
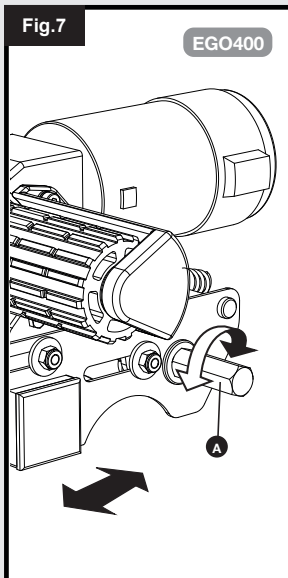
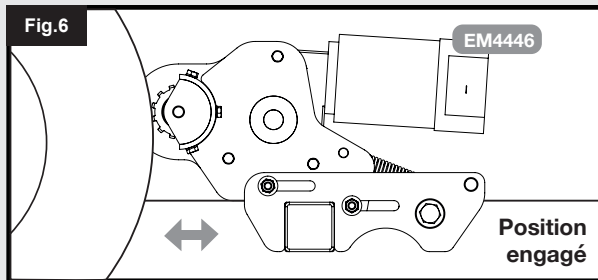
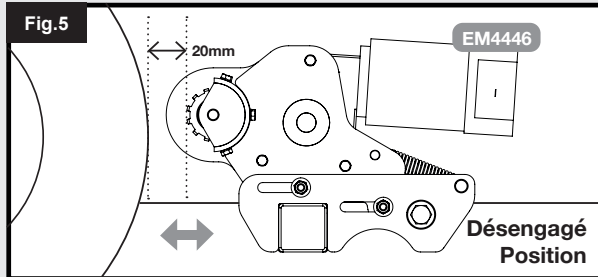
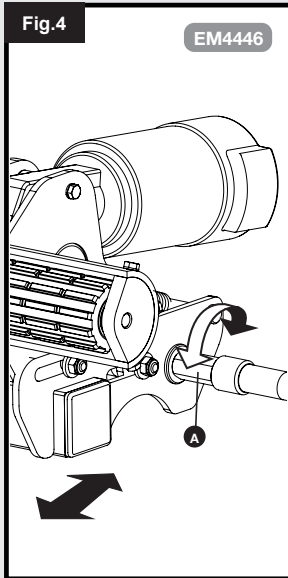
EGO400

Fig.3



EM4446

# Diagrammes de référence technique



# Diagrammes de référence technique

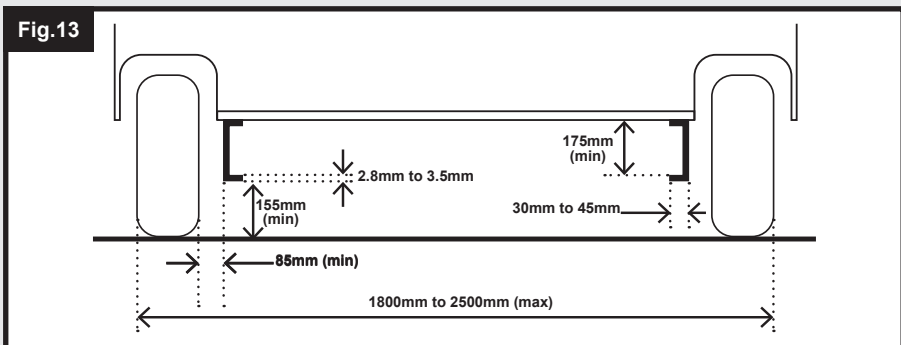
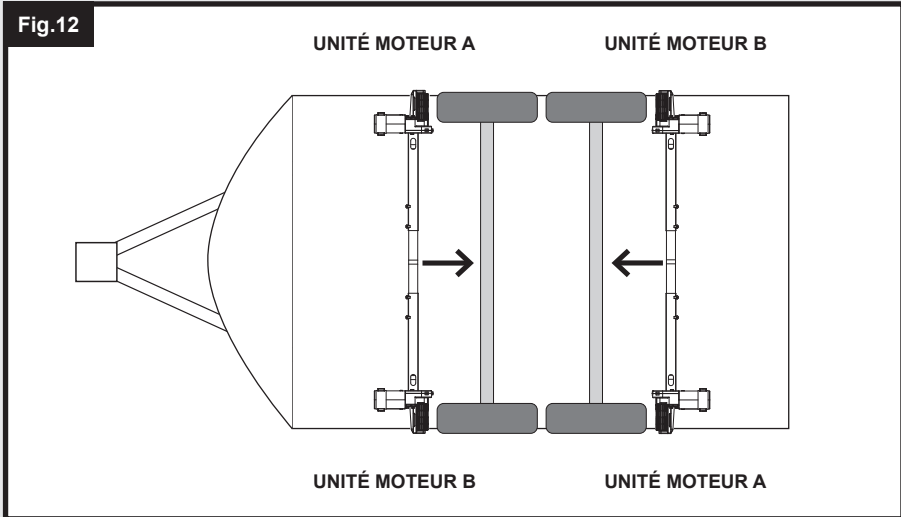
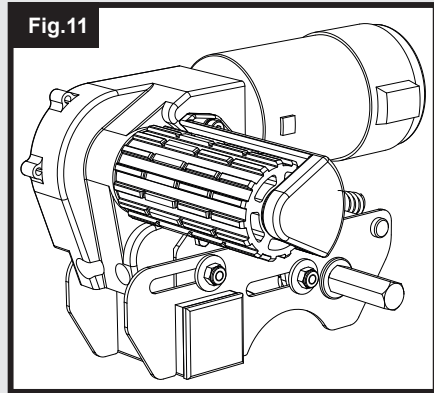
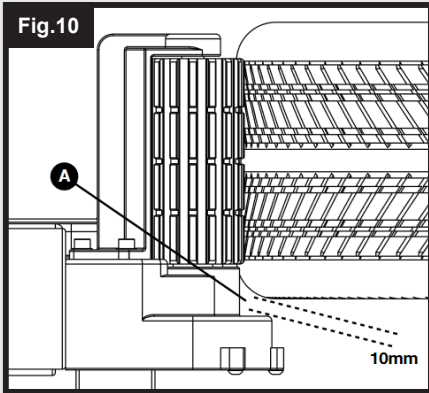
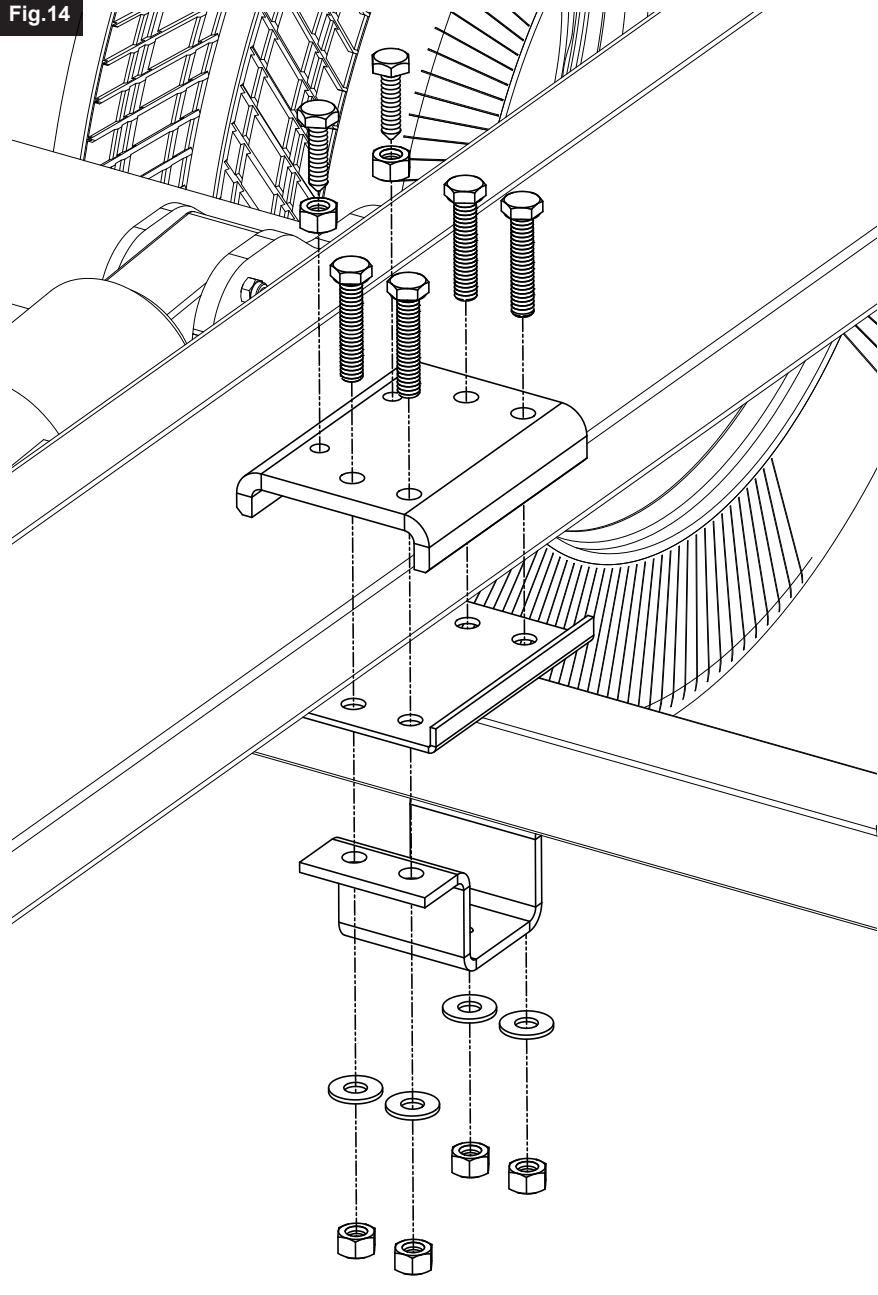


Fig.14



## Diagrammes de référence technique

Fig.15

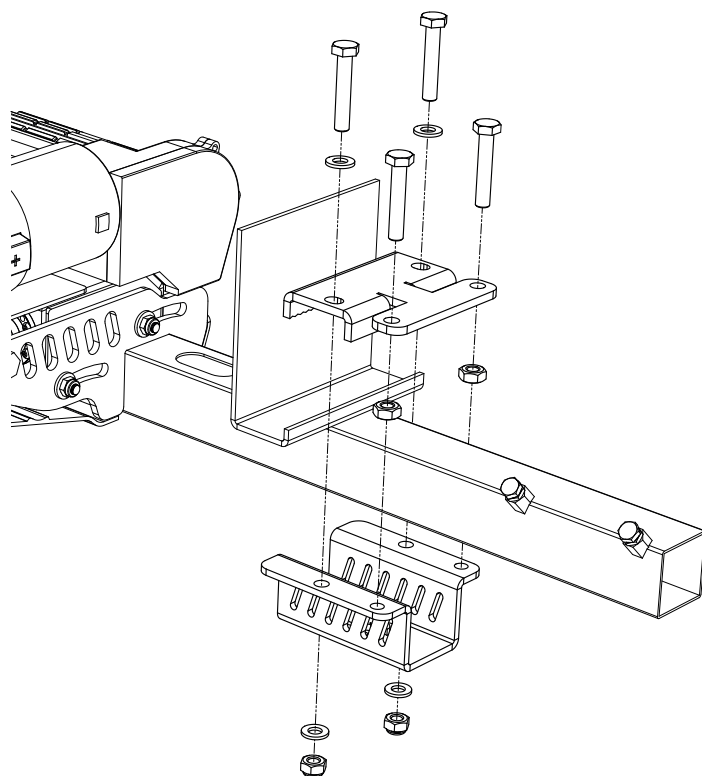
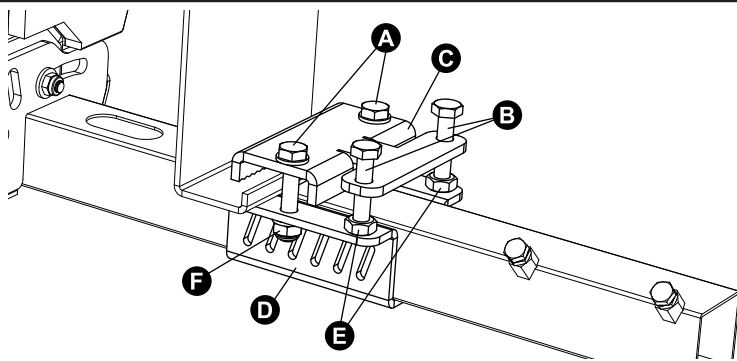


Fig.16



## Introduction

Nous vous remercions d'avoir choisi ce déménageur de caravane. Ce produit a été fabriqué selon des normes élevées et a fait l'objet de procédures de contrôle de qualité minutieuses. En utilisant simplement la télécommande, vous pouvez déplacer votre caravane sans effort dans n'importe quelle position requise, dans le respect des directives d'utilisation.



Avant de procéder à l'installation et de commencer à utiliser la mover, veuillez lire très attentivement ce manuel et prendre connaissance de toutes les consignes de sécurité ! Le propriétaire de la caravane est toujours responsable de son utilisation correcte. Conservez ce manuel à l'intérieur de votre caravane pour référence future.

Ce manuel d'installation couvre deux modèles de Caravan Mover : EM4446 - Ego Enduro et EGO400 - Quattro Titanium. Les différences éventuelles entre les modèles sont détaillées le cas échéant. Le système de déplacement se compose de deux rouleaux motorisés de 12 V, d'un boîtier de commande électronique de 12 V et d'une télécommande. Pour fonctionner, les rouleaux motorisés doivent être engagés contre les pneus de votre caravane. Le système d'actionnement croisé vous permet d'engager simultanément les rouleaux des deux movers. Une fois cette opération effectuée, le mobile est prêt à fonctionner. La télécommande vous permettra de déplacer votre caravane dans n'importe quelle direction. Veuillez noter que certaines installations en Allemagne sont soumises à des exigences techniques plus strictes que dans le reste de l'Europe. Si, après l'installation, la caravane mobile présente des bords tranchants facilement accessibles et non couverts par la carrosserie de la caravane, il est probable qu'une couverture supplémentaire doive être installée. Veuillez contacter Purple Line pour obtenir de l'aide et consulter la section "Adaptateurs de montage en option" où ces couvertures en option sont listées et leur installation expliquée.

## Directives d'ajustement

Les attaches de châssis fournies avec ce système conviennent à la plupart des châssis de caravane standard ayant un profil en forme de L ou de U (Fig.11). Veuillez vous référer à la Fig.13 pour les dimensions et les dégagements AVANT de poursuivre l'installation. Si votre châssis a des dimensions différentes de celles indiquées à la Fig.13, divers adaptateurs de fixation de châssis sont disponibles pour convenir à la majorité des caravanes britanniques et continentales ; veuillez vous reporter à la section de ce manuel intitulée "Adaptateurs de fixation en option".

## Spécifications

Numéro de modèle	EGO400	EM4446
Tension opérationnelle	12V DC	12V DC
Consommation moyenne de courant *	25A (approx.)	25A (approx.)
Consommation maximale de courant **	120A	120A
Vitesse	12cm/s (approx.)	9cm/s (approx.)
Poids net approximatif (avec toutes les fixations et les accessoires)	35 kg	40 kg
Charge de travail sécurisée (SWL) Moteur double/ Quad Moteur	2250kg / 3500kg	2250kg / 3500kg
Largeur minimale (caravane/remorque)	1800mm	1800mm
Largeur maximale (caravane/remorque)	2500mm	2500mm
Source d'alimentation (batterie de loisirs de la caravane)	12V	12V

\* Consommation moyenne de courant relevée lors de l'utilisation d'une caravane d'environ 1100 kg à essieu unique sur une surface dure et plane.

\*\* Consommation de courant maximale relevée lors de l'utilisation d'une caravane d'environ 1100 kg à essieu unique gravissant une pente de 1:4 (25%).

## Installation - Consignes de sécurité



Lisez attentivement ce manuel d'utilisation avant l'installation et l'utilisation. Le non-respect de ces règles peut entraîner des blessures graves ou des dommages matériels.

Avant de commencer l'installation de la caravane mobile:

Vérifiez que la caravane est déconnectée de la batterie et du réseau électrique.

N'utilisez que les adaptateurs et accessoires fournis ou recommandés par le fabricant. Vérifiez que les pneus ne sont pas trop usés (le montage sur des pneus neufs ou presque neufs est la meilleure option). Assurez-vous que la pression des pneus est conforme aux recommandations du fabricant.

Assurez-vous que le châssis est en bon état, qu'il n'est pas endommagé et qu'il n'est pas rouillé, sali, etc.

Arrêtez immédiatement le travail si vous avez des doutes sur le montage ou les procédures et consultez l'un de nos ingénieurs.

Placez l'interrupteur d'isolement de la batterie de manière à ce qu'il soit accessible à tout moment lorsque vous garez et déplacez la caravane.

NE PAS retirer, changer ou modifier les pièces du châssis, de l'essieu, de la suspension ou du mécanisme de freinage.

NE PAS utiliser l'appareil si vous êtes sous l'influence de drogues, d'alcool ou de médicaments qui pourraient altérer votre capacité à utiliser l'équipement en toute sécurité.



Ces instructions sont données à titre indicatif. Les procédures d'installation peuvent varier en fonction du type de caravane.



Utilisez un support approprié ! Travailler sous un véhicule sans support approprié est extrêmement dangereux. Si vous installez le système de déplacement vous-même, il est conseillé de le faire à deux, car le système de déplacement doit être soulevé jusqu'au bas du châssis de la caravane avant que les pinces puissent être installées.



N'oubliez pas de remplir le formulaire d'enregistrement du produit avec les numéros de série de chaque ensemble moteur avant le montage (voir les détails dans la section Garantie de ce manuel).

## Installation - Composants mécaniques

Pour commencer l'installation mécanique, assurez-vous que votre caravane est placée sur une surface dure et plane. Si possible, l'utilisation d'une rampe de levage ou d'une fosse de montage est idéale pour l'accès et la sécurité des personnes.

Assurez-vous que votre caravane est préparée pour l'installation. Nettoyez les zones de montage de votre châssis afin de garantir une installation sûre du système de déplacement. Avant l'installation, vérifiez que les zones importantes, telles que comme les canalisations, les pneus de rechange, etc. ne constituent pas un obstacle à l'installation du système de déplacement et à sa fonctionnalité prévue.

Déballer tous les composants et vérifiez que toutes les pièces sont présentes (voir Contenu de l'emballage Fig.A). Les instructions d'installation continueront à faire référence aux numéros de pièces affichés dans la Fig.A. Avant et pendant toute l'installation, assurez-vous que les dispositifs de déplacement restent en position DÉBRANCHÉE (voir Fig.5 ou Fig.8), sinon l'unité ne s'adaptera pas correctement.

## Installation - Système de fixation classique (Fig.14)

Assemblez sans serrer le côté cadre du moteur (1), le côté cadre du moteur (2) et la barre transversale principale (3) (voir Fig.1). Les écrous (Fig.1.B) pour la fixation de la barre transversale doivent être serrés à la main à ce stade. Assemblez la barre d'actionnement transversale en faisant glisser les barres d'actionnement (5) dans la barre centrale d'actionnement (4) et en les montant sur les tiges d'assemblage du moteur (Fig.1.A). Fixez les barres d'actionnement à ces tiges à l'aide de l'écrou nyloc et du boulon fournis (déjà fixés aux barres d'actionnement). Les écrous (Fig.1.C) de fixation ne doivent pas être plus serrés que les doigts à ce stade.

Placez l'ensemble (Fig.1) sans le serrer sous la caravane. En principe, l'unité doit être montée devant les roues de la caravane, mais si le montage dans cette position n'est pas possible, il est permis de la monter à l'avant de la caravane l'arrière des roues en faisant pivoter l'ensemble de 180° degrés (remarque : dans ce cas, reportez-vous au schéma de l'essieu arrière lors du câblage de votre système). Assurez-vous que la barre transversale principale (3) est positionnée au centre de l'ensemble caravane/mobile (le centre est marqué). Ajustez la position latérale de chaque côté du moteur de façon à ce que les rouleaux soient au centre du pneu, ou aussi près du centre que possible, en veillant à laisser un espace de 10 mm entre le pneu et la boîte de vitesses de la mover (Fig.10).

Étudiez la Fig.14. Sur un côté du véhicule, soulevez l'ensemble du cadre et fixez sans serrer l'ensemble de serrage au cadre et au châssis comme indiqué sur la Fig.14. Les fixations de l'ensemble de serrage (7, 16, 17, 18) ne doivent pas être plus serrées que les doigts à ce stade. Une fois l'ensemble autoporté par les fixations desserrées, répétez le processus de l'autre côté du véhicule.



Faites attention lorsque vous soulevez et fixez l'armature et les pinces. Utilisez des aides au levage et/ou une deuxième personne lors du levage/de la fixation.

L'ensemble principal étant monté sans serrer sur le châssis, faites glisser l'ensemble le long du châssis jusqu'à ce que les rouleaux (Fig.2.A ou Fig.3.A) soient à 20 mm de la surface de chaque pneu (voir Fig.5 ou Fig.8). Deux entretoises de 20 mm (30) sont fournies pour régler cette distance. Notez que les dispositifs de déplacement doivent être en position désengagée lorsque l'espacement de 20 mm est réglé. Lors du réglage de l'espacement, veillez à ce que les rouleaux des deux dispositifs de déplacement soient centrés et alignés avec les pneus du véhicule, tant horizontalement que verticalement, afin de permettre le meilleur contact possible avec les roues (voir la figure 10 pour référence). Si la largeur des rouleaux dépasse celle du pneu, assurez-vous que l'extrémité du rouleau est alignée avec la paroi extérieure du pneu. Le dépassement de la paroi intérieure du pneu est acceptable sur les pneus plus fins et ne doit pas affecter de façon radicale la fonction ou l'adhérence.



Il est important que chaque rouleau se trouve exactement à la même distance du pneu. L'ensemble de l'assemblage doit être parallèle à l'axe de la caravane/remorque pour que le système fonctionne comme prévu.

## Installation - Système de collier de serrage classique (Fig.14) cont.

Une fois satisfait de l'espacement du moteur, serrez à fond les quatre écrous nyloc (17) sur les deux ensembles de serrage (Fig.14) à un couple de 40 ft lbs/55Nm, puis les boulons (Fig.1.B et Fig.1.C) sur chaque cadre côté moteur à un couple de 9ft lbs/12Nm. Vérifiez à nouveau la distance de 20 mm entre les rouleaux et les pneus et, si nécessaire, desserrez les boulons et réajustez la position de l'ensemble. Une fois que vous êtes satisfait de la position de l'ensemble, installez et serrez les écrous et boulons d'arrêt du châssis (7) dans chacune des plaques supérieures de la pince classique (8) (voir Fig.14). Serrez avec un couple de serrage de 40 ft lbs/55Nm. Les boulons d'arrêt s'accrochent à la lèvres du châssis et empêchent le chariot de glisser le long du châssis. Les principaux composants mécaniques ont maintenant été installés.

## Installation - Système de fixation Shark (Fig.15)

Assembler sans serrer la barre transversale principale (3) à l'intérieur du côté cadre du moteur (1) et du côté cadre du moteur (2) (voir Fig.1). Les écrous/boulons (Fig.1.B) sur les cadres du moteur doivent être serrés à la main à ce stade. Assemblez la barre d'actionnement transversale en faisant glisser les barres d'actionnement (5) dans la barre centrale d'actionnement (4) et montez-les sur les tiges d'assemblage du moteur (Fig.1.A). Fixez les barres d'actionnement à ces tiges à l'aide de l'écrou nyloc et du boulon fournis (déjà fixés aux barres d'actionnement). Les écrous (Fig.1.C) de fixation ne doivent pas être plus serrés que les doigts à ce stade.

Placez l'ensemble (Fig.1) sans le serrer sous la caravane. En principe, l'unité doit être installée devant les roues de la caravane, mais si cette position n'est pas possible, il est possible de l'installer à l'arrière des roues en tournant l'ensemble de 180° degrés.

En général, la pince Shark est pré-assemblée sur les côtés du moteur pour faciliter le montage, mais si les pinces ont été achetées séparément ou ne sont pas pré-assemblées, elles doivent être assemblées sur le cadre comme indiqué sur la (Fig.15). Avant d'essayer d'installer le moteur sur le châssis de votre caravane, assurez-vous que les écrous de fixation (Fig.16.E) sont serrés, fixant les boulons arrière (Fig.16.B) en place, permettant à la mâchoire supérieure (Fig.16.C) de se déplacer dans l'axe vertical.

Une fois les écrous et les boulons de fixation installés sans serrer (Fig.16.A et F), faites glisser la mâchoire supérieure (Fig.16.C) vers le haut pour ouvrir les mâchoires de la pince sur un côté du moteur. Accrochez la mâchoire supérieure au châssis de la caravane, en laissant le côté moteur pendre en place. Répétez ce processus avec le deuxième côté du moteur de sorte que l'ensemble soit suspendu en place.

Une fois les écrous/boulons de la barre transversale desserrés (Fig.1B), réglez la position latérale de chaque côté du moteur de façon à ce que les rouleaux soient au centre du pneu, ou aussi près du centre que possible, en veillant à laisser un espace de 10 mm entre le pneu et la boîte de vitesses du déménageur (Fig.10). Après le réglage, assurez-vous que les pinces n'ont pas bougé en tenant fermement le côté moteur du cadre, tout en faisant le tour et en poussant les pinces vers l'extérieur jusqu'à ce que les boulons de fixation et le châssis soient à 1-2 mm l'un de l'autre. Une fois que vous êtes satisfait de la largeur totale du système de déplacement, serrez les écrous/boulons de la barre transversale (Fig.1B) et les écrous/boulons d'actionnement transversal (Fig.1C) à 9ft lbs/12Nm pour régler la largeur.

Faites glisser l'ensemble le long du châssis jusqu'à ce que les rouleaux (Fig.2.A ou Fig.3.A) soient à 20 mm de la surface du centre de chaque pneu (Fig.5 ou Fig.8). Deux entretoises de 20 mm (30) sont fournies. Serrez à fond les boulons de serrage (Fig.16.A) sur les deux ensembles de serrage avec un couple de serrage de 40 ft lbs/55Nm. Lorsque vous serrez un boulon de serrage, l'autre peut se desserrer légèrement. Il peut donc être nécessaire de passer plusieurs fois pour serrer complètement les deux boulons sur chaque collier. Une astuce consiste à serrer tous les boulons de la pince jusqu'à ce qu'il y ait une forte résistance avant de serrer à fond.

## Installation - Système de fixation Shark (Fig.15) cont.

Notez qu'il n'est pas nécessaire de serrer les écrous/boulons arrière (Fig.16.B et E). Ces composants sont en place uniquement pour faciliter le processus d'installation et ne constituent pas une méthode de fixation.

## Installation - Composants mécaniques (configuration AWD)

Pour installer une configuration de traction intégrale sur votre caravane, suivez les mêmes instructions que celles décrites dans les sections précédentes "Installation - Composants mécaniques".

L'installation de la traction intégrale suit exactement le même processus, la seule différence étant l'orientation des moteurs. Dans une configuration AWD, les moteurs qui alimentent l'essieu arrière du véhicule doivent être orientés vers l'avant de la remorque (voir Fig.12).

Veillez à suivre attentivement la section relative à la configuration de l'AWD dans le manuel d'installation électrique/électronique afin de vous assurer que ces ensembles de moteurs fonctionnent comme prévu et non l'un contre l'autre.

## Mover Engagement/Disengagement

Avec les modèles de mover EM4446 Ego Enduro et EGO400 Titanium, le processus d'engagement est manuel. Pour engager vos moteurs, placez l'outil d'engagement (6) sur l'axe du moteur (Fig.2.G ou Fig.3.G) parallèlement au sol dans une position éloignée de la roue en question. Pour engager le moteur, tournez l'outil d'engagement de 180 degrés en direction de la roue en question (voir Fig.4 ou Fig.7). Si les barres d'actionnement transversales ont été montées correctement, le processus d'engagement d'un moteur devrait ensuite également engager le côté opposé du véhicule.

Le mécanisme d'engagement utilise une simple came excentrée qui pousse les rouleaux sur les pneus et se verrouille ensuite automatiquement. Si le déménageur a été installé correctement, à exactement 20 mm des pneus lorsqu'il est désengagé, la force exercée sur le pneu par le rouleau sera suffisante pour la plupart des circonstances d'utilisation (Fig.6 ou Fig.9).

Remarque : Quel que soit le côté du véhicule à partir duquel vous utilisez l'engagement, l'outil doit toujours tourner vers la roue pour l'engager et s'éloigner de la roue pour la désengager.

Pour désengager les rouleaux, il suffit de remonter l'outil sur l'une des broches et de le faire tourner en l'éloignant du pneu. Veuillez noter que vous ressentirez une petite résistance au début lorsque vous désengagerez la came de sa position verrouillée ; le ressort fera ensuite le reste du travail et tirera le rouleau loin du pneu et dans la position complètement désengagée (Fig.5 ou Fig.8).

## Installation - Electrical/Electronic Components

*Veillez vous référer au manuel fourni avec l'électronique pour l'installation du câblage, les instructions de fonctionnement et le dépannage, ou visitez le site [www.purpleline.co.uk/qtr-m003](http://www.purpleline.co.uk/qtr-m003).*

## Maintenance

Veillez vérifier régulièrement que les rouleaux des unités d'entraînement sont exempts de toute saleté ou de tout débris qui aurait pu être ramassé pendant l'utilisation/pendant les périodes d'inactivité.

Veillez vérifier régulièrement la distance entre les rouleaux et les pneus. En position neutre, complètement désengagée (Fig.5 ou Fig.8), cette distance doit être de 20 mm.

Une fois par an, faites entretenir et inspecter visuellement les moteurs de votre caravane. Cette inspection doit porter sur tous les boulons et écrous, les câbles et les connexions électriques, ainsi que sur la lubrification des pièces mobiles et des articulations.

Les longues périodes d'inactivité génèrent un risque de détérioration des éléments du moteur. Traitez ce problème en conséquence en appliquant une lubrification et en éliminant l'oxydation si nécessaire.

N'utilisez PAS d'eau sous pression ou de produits chimiques pour nettoyer vos caravanes.



Lors de l'entretien de votre système de motorisation, veillez à isoler l'alimentation électrique, faute de quoi vous risquez l'électrocution.

En cas de défaillance ou de problème, veuillez contacter votre fournisseur de Caravan Mover.

## Enregistrement du produit

Veillez enregistrer votre mobile de caravane Quattro® en ligne dans les 14 jours suivant son achat. L'enregistrement est simple et rapide, rendez-vous sur [www.purpleline.co.uk/product-registration](http://www.purpleline.co.uk/product-registration).  
Veillez conserver l'original de votre facture d'achat.

Veillez remplir les numéros de série + des informations supplémentaires et conserver ce manuel pour référence ultérieure. Les numéros de série se trouvent sur l'étiquette du produit sur chacune des sections du moteur. Le numéro de série peut comporter jusqu'à 18 chiffres. Veillez noter vos numéros de série dans la section ci-dessous pour référence ultérieure. Les numéros de série seront requis pour l'enregistrement du produit.

N° de série du moteur	<input type="text"/>
	<input type="text"/>
Date d'achat	<input type="text"/>
Nom du concessionnaire	<input type="text"/>

## Garantie

Les systèmes de déplacement de caravane Quattro® sont fournis avec une garantie britannique sur les pièces uniquement pour une période de 7 ans (EGO400 Quattro Titanium) et de 5 ans (EM4446 Ego Enduro) qui comprend les 12 premiers mois légaux, plus une période de garantie supplémentaire de 6 et 4 ans respectivement. Veuillez noter que les périodes d'extension de garantie ne sont offertes que si l'enregistrement du produit est complété et renvoyé dans les 14 jours suivant la date d'achat. Toute demande de garantie doit être adressée au lieu d'achat et accompagnée d'une preuve d'achat. La couverture de la garantie est limitée aux produits situés sur le continent britannique uniquement.

Au cours de la période de cinq ans, le fabricant remplacera ou réparera, à sa seule discrétion, toute pièce qui s'est avérée défectueuse si elle est considérée comme étant due à un défaut de fabrication.

Le fabricant n'assume pas la responsabilité de toute perte indirecte, quelle qu'elle soit.

Après inspection, les composants manquants par rapport à la liste du contenu de l'emballage doivent être signalés au lieu d'achat dans les 5 jours ouvrables.

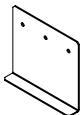
Cette couverture de garantie n'est disponible que pour l'acheteur initial du produit et n'est pas transférable.

Ce qui n'est pas couvert :

- Usure normale.
- Les dommages qui sont considérés comme étant dus à une mauvaise utilisation ou à une négligence de la part du client.
- Le coût de la réparation suite à un dommage accidentel, une utilisation abusive du produit ou une manipulation délibérée.
- La garantie n'est pas offerte pour tout type de commerce ou d'utilisation commerciale.
- À la suite du rappel ou de la modification de tous les équipements d'une gamme de modèles.
- Force Majeure : dommages causés par des événements extraordinaires ou des circonstances indépendantes de la volonté de quiconque.
- Dommages résultant d'une infiltration d'eau.
- Le transport ou tous les frais supplémentaires encourus, y compris le voyage ou la main-d'oeuvre.
- L'électricité de la caravane, y compris les fusibles, les prises, les batteries, les connexions de câblage et les faisceaux. Éraflures, bosses, peinture et garnitures cosmétiques.
- Dommages résultant d'une installation incorrecte et/ou du non-respect des instructions de montage du fabricant.
- La couverture ne sera pas accordée à une pièce ou un composant qui est hors de fabrication ou qui n'est plus disponible.
- La couverture ne sera pas accordée si le produit a été modifié de quelque manière que ce soit.
- Dommages résultant de l'utilisation du produit en dehors des recommandations de charge du fabricant.

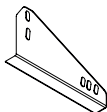
## Adaptateurs de raccords en option

Des adaptateurs de fixation de châssis supplémentaires, illustrés ci-dessous, sont disponibles à l'achat :



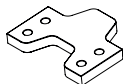
### Plaques d'adaptation pour châssis à profil bas (pièce n° CM-029)

Si la hauteur du cadre de votre châssis est inférieure à 140 mm, ces plaques doivent être montées pour abaisser l'ensemble et obtenir la hauteur correcte de 185 mm. Un perçage de votre châssis peut être nécessaire. Remarque : dans certains pays, l'installation doit être vérifiée par un technicien professionnel afin de respecter les réglementations locales.



### Adaptateurs de châssis à écartement étroit (Part No. CM-030)

Ces plaques doivent être utilisées si vous avez un châssis AL-KO Vario III/AV dont l'épaisseur du cadre est inférieure à 2,8 mm. Elles doivent être positionnées derrière l'essieu en utilisant les trous pré-perçés déjà disponibles sur le châssis ; votre mover doit donc être monté derrière l'essieu.



### Entretoises de 16mm - 1 paire (Part No. CM-028/Q)

Utilisez des entretoises pour abaisser l'ensemble de déplacement si votre châssis a une hauteur de cadre comprise entre 140 et 185 mm. Un maximum de 3 jeux d'entretoises peut être utilisé pour obtenir une hauteur de châssis correcte de 185 mm. Un jeu de boulons de serrage prolongés doit être utilisé en conjonction avec ces entretoises (référence CM-031). (A utiliser uniquement avec la pince classique).



### Jeu de 8 boulons M10 x 100 (pièce n° CM-031)

Jeu de 8 boulons de serrage prolongés à utiliser avec des entretoises de 16 mm. (A utiliser uniquement avec la pince classique).

## INFORMATION SUR L'APPROBATION

	MODÈLE DE MOUVEMENT				
<b>APPROBATION</b>	QUATTRO600	EGO500	QUATTRO500	EGO400	EM4446
<b>UNECE R10</b>	E1*10R06/01*9650		E1*10R06/01*9651		
<b>ABE</b>	KBA 91897	KBA 91896	KBA 91897	KBA 91509	KBA 91230

Tous les modèles de motocyclettes ont reçu des autorisations générales d'exploitation (ABE) pour l'Allemagne. Les homologations sont listées dans le tableau ci-dessus et sont référencées en conséquence sur les produits correspondants. Les documents d'approbation ABE peuvent être demandés à Purple Line, ou téléchargés sur notre site web et doivent être transportés dans le véhicule en Allemagne. L'approbation est invalidée si le produit est utilisé en dehors de l'opération prévue, comme indiqué dans ce manuel.

Tous les modèles de moteurs ont été homologués selon les normes techniques harmonisées relatives à la compatibilité électromagnétique des équipements automobiles (UNECE R10 Add.9 Rev.6). Les homologations sont énumérées dans le tableau ci-dessus et sont référencées en conséquence sur les produits correspondants. L'homologation est invalidée si le produit est utilisé en dehors de l'opération prévue, comme indiqué dans ce manuel.

Les réglementations techniques et administratives du pays dans lequel le véhicule est enregistré doivent être respectées lors de l'installation de tout système Mover. Toute modification de l'appareil ou l'utilisation de pièces de rechange et d'accessoires importants pour le fonctionnement du système qui ne sont pas des pièces originales Purple Line et le non-respect des instructions d'installation et d'utilisation annuleront la garantie et dégageront Purple Line de toute responsabilité. En plus de cela, l'approbation opérationnelle de l'appareil sera annulée.

## INFORMATIONS DE CONTACT

UK	Purple Line Limited Peninsula Business Centre Wherstead, Suffolk IP9 2BB, United Kingdom	Tel: +44 (0) 1473 601200 E-mail: <a href="mailto:info@purpleline.co.uk">info@purpleline.co.uk</a>
EU	Purple Line GmbH Jägerhofstraße 29, Düsseldorf, 40479, Deutschland	Tel: +44 (0) 1473 601200 E-mail: <a href="mailto:info@purpleline.co.uk">info@purpleline.co.uk</a>

# DÉCLARATION DE CONFORMITÉ UE

**Fabricant:**

Purple Line Limited  
Peninsula Business Centre,  
Wherstead, Suffolk, IP9 2BB,  
United Kingdom

**Représentant autorisé:**

Purple Line GmbH  
Jägerhofstraße 29,  
40479 Düsseldorf,  
Germany

**Objets de la déclaration:****Désignation du produit:  
(Code de référence)**

Quattro Caravan Motor Movers with  
Quattro Smart Electronics (QUATTRO400-001)

**Modèles:**

QUATTRO500, QUATTRO500/S, QUATTRO600, QUATTRO600/S  
EGO500, EGO500/S, EGO400, EGO400/S, EM4446, EM4446/S

Purple Line Limited, déclare sous notre seule responsabilité que les produits ci-dessus sont conformes aux exigences essentielles des directives de l'Union européenne suivantes, lorsqu'ils sont utilisés comme prévu :

Directive sur la compatibilité électromagnétique [CEM]  
(2014/30/EU) ETSI EN301489-1 V2.2.0 (2017-03)  
ETSI EN301489-17 V3.2.0 (2017-03)  
ETSI EN301489-9

Directive sur les équipements radio [RED]  
(2014/53/EU) ETSI EN300328  
V2.2.0 (2017-11) EN 62479 : 2010

Directive relative à la limitation de l'utilisation de certaines substances dangereuses  
[RoHS] (2011/65/UE) EN IEC 63000:2018

Directive Basse Tension [BT]  
(2014/35/UE) EN 62368-  
1:2014+A11:2017

**Émetteur:**

Purple Line Limited

**Lieu:**

Suffolk, United Kingdom

**Signataire autorisé:**

Jonathan Harrison, Managing Director

**Date:**

09/12/2022

**Signature:**

A handwritten signature in black ink, appearing to read 'Jonathan Harrison', written over a horizontal line.

# DÉCLARATION DE CONFORMITÉ UE

**Fabricant:**

Purple Line Limited  
Peninsula Business Centre,  
Wherstead, Suffolk, IP9 2BB,  
United Kingdom

**Représentant autorisé:**

Purple Line GmbH  
Jägerhofstraße 29,  
40479 Düsseldorf,  
Germany

**Objets de la déclaration:****Désignation du produit:  
(Code de référence)**

Quattro Caravan Motor Movers with  
Basic Auto Engage Electronics (CM-071)

**Modèles:**

QUATTRO500, QUATTRO500/B, QUATTRO600, QUATTRO600/B  
EGO500, EGO500/B, EGO400, EGO400/B, EM4446, EM4446/B

Purple Line Limited, déclare sous notre seule responsabilité que les produits ci-dessus sont conformes aux exigences essentielles des directives de l'Union européenne suivantes, lorsqu'ils sont utilisés comme prévu :

Directive sur la compatibilité électromagnétique [CEM]  
(2014/30/EU) ETSI EN 301 489-1 V2.2.3  
EN 55032:2015  
EN 61000-3-2:2014  
EN 61000-3-3:2013  
EN 55035:2017

Directive sur les équipements radio [RED]  
(2014/53/EU) EN IEC 63000:2018

Directive relative à la limitation de l'utilisation de certaines substances dangereuses [RoHS] (2011/65/UE) EN IEC 63000:2018

**Émetteur:**

Purple Line Limited

**Lieu:**

Suffolk, United Kingdom

**Signataire autorisé:**

Jonathan Harrison, Managing Director

**Date:**

09/12/2022

**Signature:**

A handwritten signature in black ink, appearing to read 'Jonathan Harrison', written over a horizontal line.

DOC-CE-CM071



## Índice

CONTENIDO	PÁGINA NO.
Índice	81
Contenido del paquete (Fig. A)	82 - 83
Diagramas técnicos de referencia	84 - 88
Introducción	89
Directrices de montaje	89
Especificación	89
Instalación - Normas de seguridad	90
Instalación - Componentes mecánicos	90
Instalación - Sistema de pinza clásico	91 - 92
Instalación - Sistema de pinza Shark	92 - 93
Instalación - Componentes mecánicos (configuración AWD)	93
Compromiso/descompromiso del conductor	93
Instalación - Componentes eléctricos/electrónicos	93
Mantenimiento	94
Registro de productos	94
Garantía	95
Adaptadores opcionales	96
Información de aprobación	97
Información de contacto	97
Declaración de conformidad de la UE	98 - 99

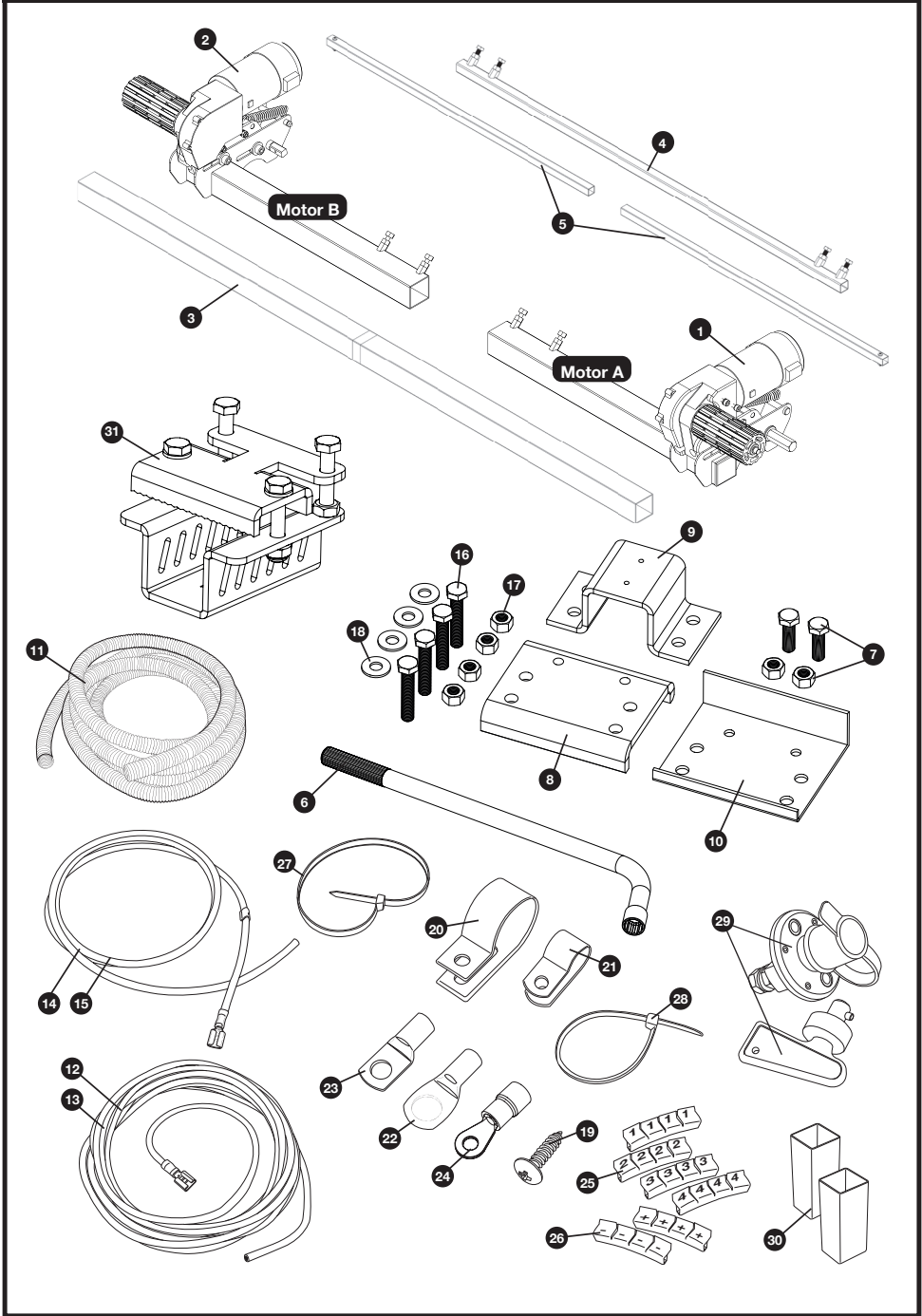
## Contenido del paquete (Fig. A)

REF	CANT	DESCRIPCIÓN
1	1	Unidad de motor (A)
2	1	Unidad de motor (B)
3	1	Barra transversal principal
4	1	Barra central de accionamiento transversal
5	2	Barras de inserción de accionamiento transversal
6	1	Herramienta de compromiso
7	4	Abrazadera clásica - Tuerca de tope y perno*.
8	2	Pinza Classic - Placa superior*
9	2	Abrazadera clásica - Placa en U*
10	2	Abrazadera Classic - Placa inferior*
11	1	Canalización de cables convolutos
12	2	Positivo (+) Cable rojo del motor
13	2	Negativo (-) Cable negro del motor
14	1	Cable rojo positivo (+) de la batería
15	1	Negativo (-) Cable negro de la batería
16	8	Abrazadera Classic - Perno M10x55mm
17	8	Abrazadera Classic - Tuerca Nyloc M10
18	8	Abrazadera Classic - Arandela Ø10mm
19	20	Tornillo P-Clip M4x15mm
20	10	Cable P-Clips 19,2 mm
21	10	Cable P-Clips 10.4mm
22	4	Conector de terminal de batería Ø8mm
23	4	Conector de anillo terminal Ø6mm
24	4	Conector de anillo terminal Ø4mm
25	3	Marcadores de número de cable (1,2,3,4)
26	3	Marcadores de polaridad del cable (+,-)
27	4	Bridas para cables de unidad de motor 8x400
28	10	Bridas 2x70
29	1	Interruptor de aislamiento de potencia (incl. llave y fijaciones)
30	2	Separadores de rodillos de 20 mm
31	2	Sistema de montaje Shark Clamp*



\*Dependiendo del modelo, se suministrará la pinza Classic o la pinza Shark.

Fig.A



# Diagramas técnicos de referencia

Fig.1

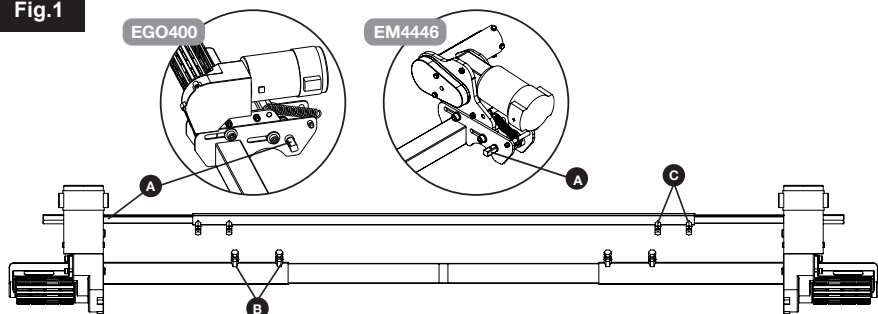


Fig.2

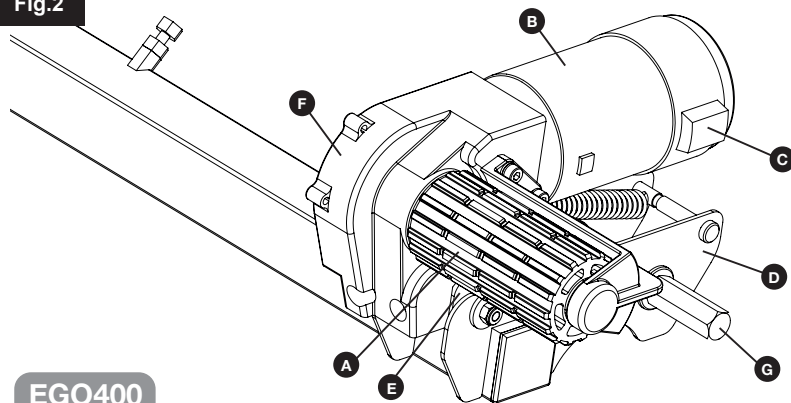
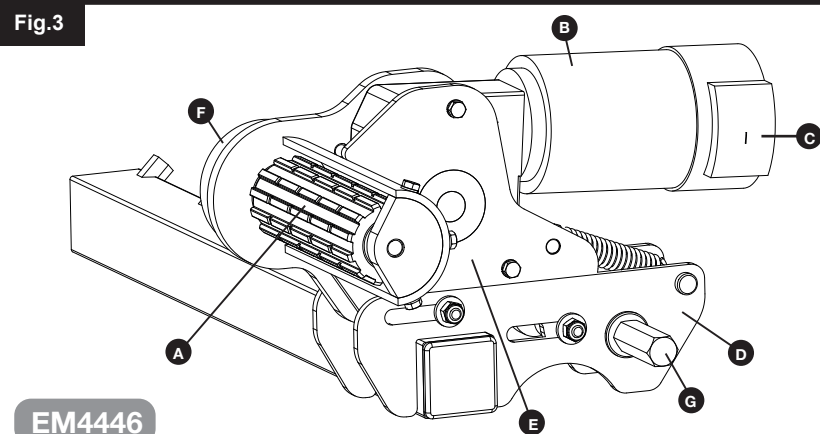
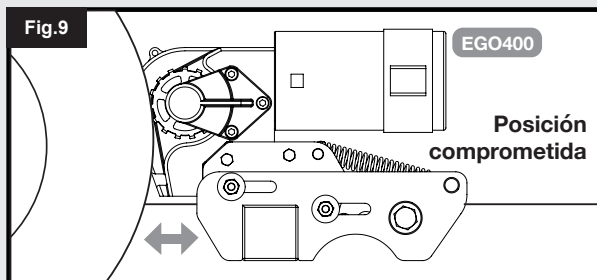
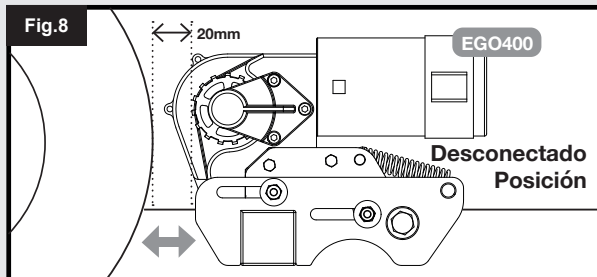
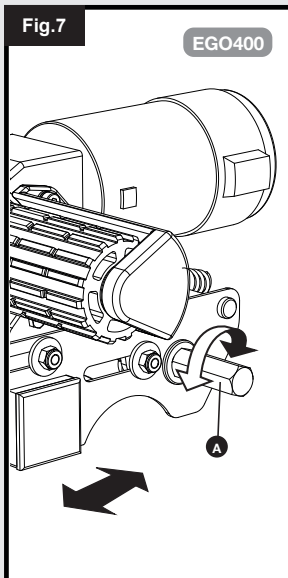
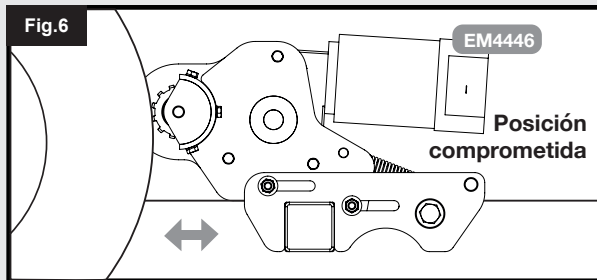
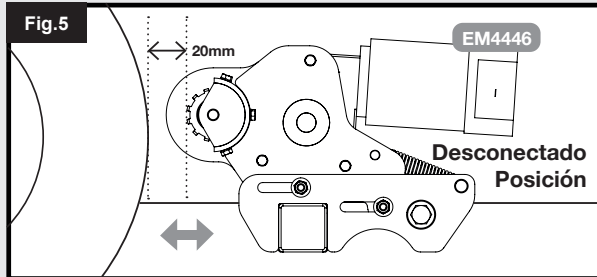
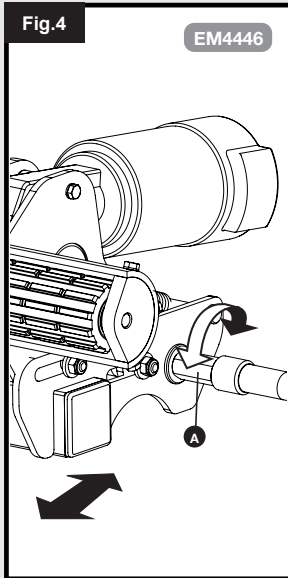


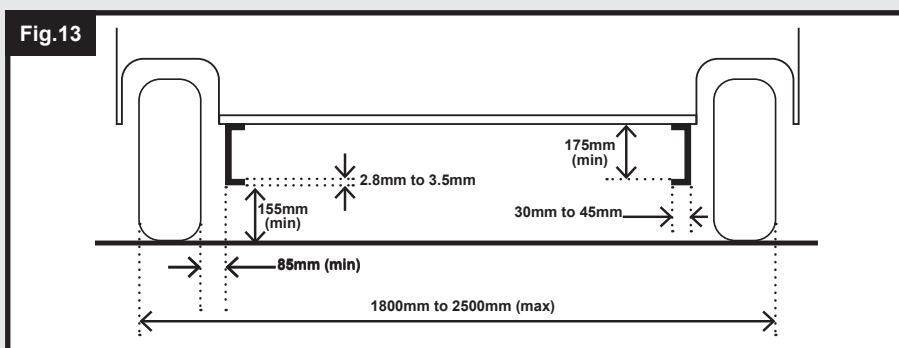
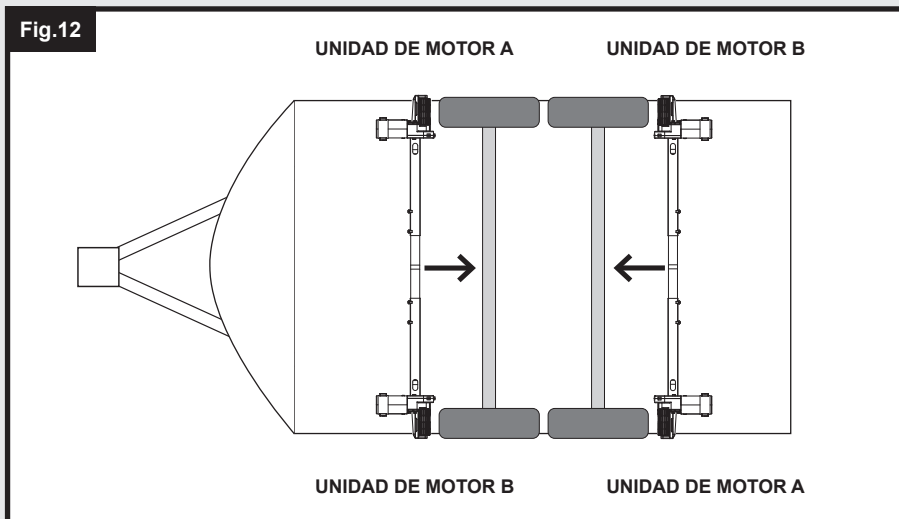
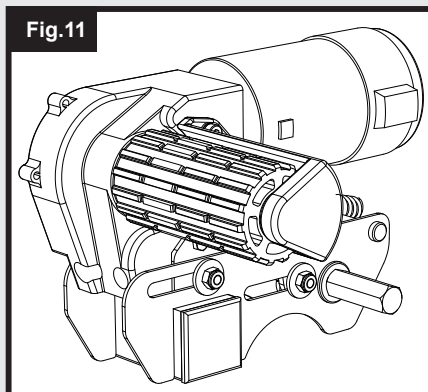
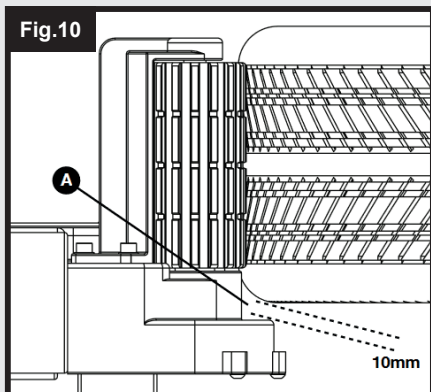
Fig.3



# Diagramas técnicos de referencia

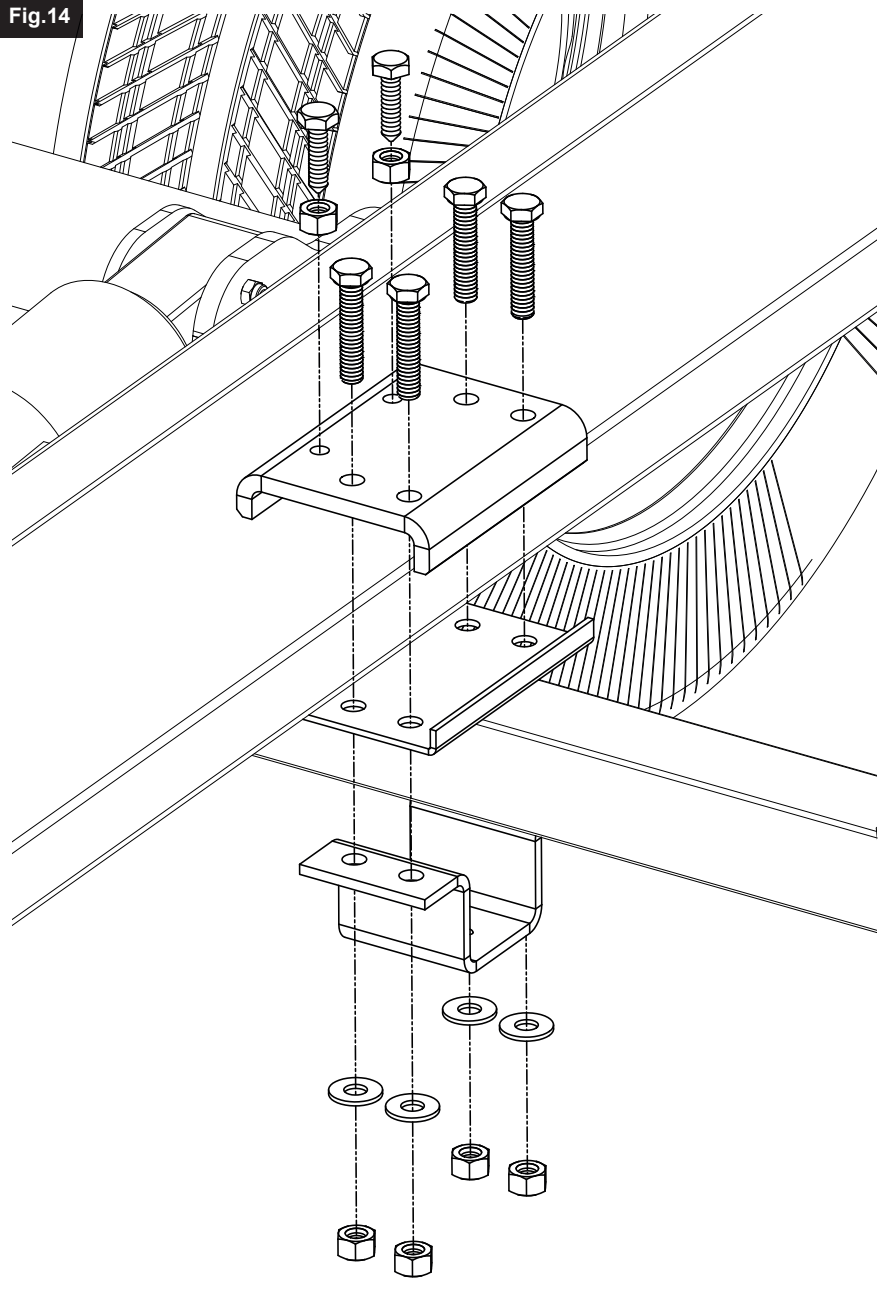


## Diagramas técnicos de referencia



# Diagramas técnicos de referencia

Fig.14



## Diagramas técnicos de referencia

Fig.15

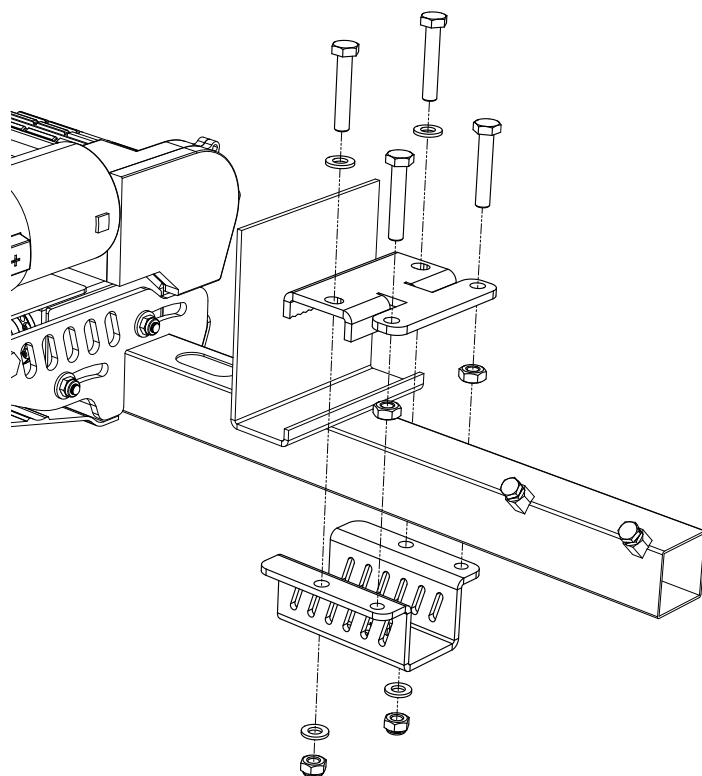
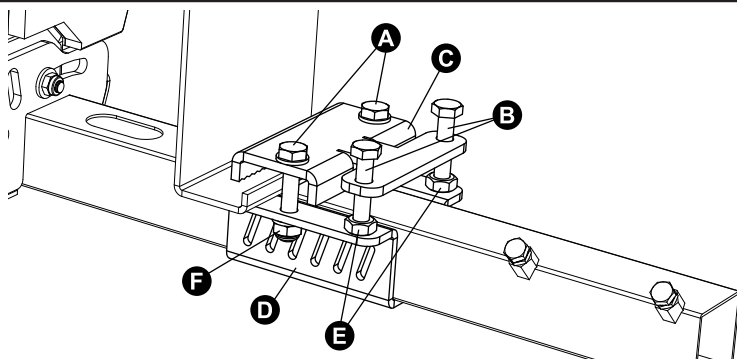


Fig.16



## Introducción

Gracias por elegir este motor para caravanas. Este producto ha sido fabricado de acuerdo con las normas más exigentes y ha sido sometido a minuciosos procedimientos de control de calidad. Simplemente utilizando el mando a distancia puede mover su caravana sin esfuerzo a cualquier posición requerida dentro de las directrices de funcionamiento.



Antes de proceder a la instalación y empezar a utilizar la caravana, lea atentamente este manual y tenga en cuenta todas las indicaciones de seguridad. El propietario de la caravana será siempre el responsable del uso correcto. Guarde este manual en el interior de su caravana para referencia futura.

Este manual de instalación cubre dos modelos de Caravan Mover: EM4446 - Ego Enduro y EGO400 - Quattro Titanium. Las diferencias entre los modelos se detallan cuando procede. El sistema de desplazamiento consta de dos rodillos motorizados de 12 V, una caja de control electrónica de 12 V y un mando a distancia. Para funcionar, los rodillos motorizados deben acoplarse a los neumáticos de la caravana. El sistema de accionamiento cruzado le permite accionar simultáneamente los rodillos de ambos motores. Una vez hecho esto, el desplazador está listo para funcionar. El mando a distancia le permitirá mover su caravana en cualquier dirección.

Tenga en cuenta que determinadas instalaciones en Alemania están sujetas a requisitos técnicos más estrictos que en el resto de Europa. Si después de la instalación la caravana tiene bordes afilados expuestos fácilmente accesibles no cubiertos por la carrocería de la caravana, es probable que sea necesario instalar una cubierta adicional. Póngase en contacto con Purple Line para obtener más ayuda y consulte "Adaptadores de montaje opcionales", donde se enumeran estas cubiertas opcionales y se explica su instalación.

## Directrices de montaje

Las abrazaderas de chasis suministradas con este sistema son adecuadas para su instalación en la mayoría de los chasis de caravanas estándar que tienen un perfil en forma de L o de U (Fig. 11). Por favor, consulte la Fig.13 como referencia sobre dimensiones y espacios libres ANTES de continuar con la instalación. Si su chasis tiene unas dimensiones diferentes a las mostradas en la Fig.13, hay disponibles varios adaptadores de abrazadera de chasis que se adaptan a la mayoría de las caravanas británicas y continentales; consulte la sección de este manual titulada "Adaptadores de montaje opcionales".

## Especificación

Número de modelo	EGO400	EM4446
Tensión operativa	12V DC	12V DC
Consumo medio de corriente *	25A (approx.)	25A (approx.)
Consumo máximo de corriente **	120A	120A
Velocidad	12cm/s (approx.)	9cm/s (approx.)
Peso neto aproximado (incl. todas las fijaciones y accesorios)	35 kg	40 kg
Carga de trabajo segura (SWL) Motor doble/Motor cuádruple	2250kg / 3500kg	2250kg / 3500kg
Anchura mínima (caravana/remolque)	1800mm	1800mm
Anchura máxima (caravana/remolque)	2500mm	2500mm
Fuente de alimentación (batería de ocio de la caravana)	12V	12V

\* Lecturas de consumo medio de corriente al utilizar una caravana de un solo eje de aprox. 1100 kg sobre una superficie dura y nivelada.

\*\* Lecturas de consumo máximo de corriente cuando se utiliza una caravana de un solo eje de aprox. 1100 kg que asciende por una pendiente de 1:4 (25%).

## Instalación - Normas de seguridad



Lea atentamente este Manual del Usuario antes de la instalación y el uso. El incumplimiento de estas normas podría provocar lesiones graves o daños materiales.

Antes de iniciar la instalación de la caravana:

Compruebe que la caravana está desconectada de la alimentación de la batería y de la red eléctrica.

Utilice únicamente los adaptadores y accesorios suministrados o recomendados por el fabricante.

Compruebe que los neumáticos no estén muy desgastados (la mejor opción es montar neumáticos nuevos o casi nuevos). Asegúrese de que la presión de los neumáticos es la recomendada por el fabricante.

Asegúrese de que el chasis está en buenas condiciones, sin daños y libre de óxido, suciedad, etc.

Detenga inmediatamente el trabajo si tiene dudas sobre el montaje o cualquier procedimiento y consulte a uno de nuestros ingenieros.

Ubique el interruptor de aislamiento de la batería de manera que sea accesible en todo momento al estacionar y mover la caravana.

NO desmonte, cambie ni modifique ninguna pieza del chasis, el eje, la suspensión o el mecanismo de frenado. NO utilice la unidad si se encuentra bajo los efectos de drogas, alcohol o medicamentos que puedan afectar a su capacidad para utilizar el equipo de forma segura.



Estas instrucciones son de carácter general. Los procedimientos de instalación pueden variar en función del tipo de caravana.



Utilice un soporte adecuado. Trabajar debajo de un vehículo sin el apoyo adecuado es extremadamente peligroso. Si va a instalar el sistema de traslado usted mismo, es aconsejable que la instalación la realicen dos personas, ya que será necesario elevar el sistema de traslado hasta la parte inferior del chasis de la caravana antes de poder instalar las abrazaderas.



No olvide rellenar el formulario de registro del producto con los números de serie de cada motor antes de instalarlo (consulte los detalles en la sección Garantía de este manual).

## Instalación - Componentes mecánicos

Para comenzar la instalación mecánica, asegúrese de que su caravana está colocada sobre una superficie dura y nivelada. Siempre que sea posible, el uso de una rampa de elevación o un foso de montaje es ideal para el acceso y la seguridad personal.

Asegúrese de que su caravana está preparada para la instalación. Limpie las zonas de montaje pertinentes de su chasis para garantizar un montaje seguro del sistema de traslación. Compruebe antes de la instalación que las zonas importantes, como desagües, neumáticos de repuesto, etc. no supongan ningún obstáculo para la instalación del sistema de mudanzas y su funcionalidad prevista.

Desembale todos los componentes y compruebe que están todas las piezas (véase la Fig.A del contenido del paquete). Las instrucciones de instalación seguirán haciendo referencia a los números de pieza mostrados en la Fig.A. Antes de la instalación y durante la misma, asegúrese de que los desplazadores permanecen en posición DESEMBRAGADA (véase Fig.5 o Fig.8), ya que de lo contrario la unidad no encajará correctamente.

## Instalación - Sistema de pinza clásico (Fig.14)

Monte sin apretar el lado del armazón del motor (1), el lado del armazón del motor (2) y la barra transversal principal (3) (véase la fig. 1). Las tuercas (fig. 1.B) para la fijación de la barra transversal sólo deben apretarse con los dedos. Monte la barra de accionamiento transversal deslizando las barras de accionamiento (5) en la barra central de accionamiento (4) y móntelas en las varillas de montaje del motor (Fig.1.A). Fije las barras de accionamiento a estas varillas utilizando la tuerca nylon y el perno suministrados (preinstalados en las barras de accionamiento). Las tuercas (Fig.1.C) para la fijación no deben estar más que apretadas con los dedos en esta etapa.

Coloque el conjunto (fig. 1) sin apretarlo debajo de la caravana. En principio, el conjunto debe montarse delante de las ruedas de carretera de la caravana, pero si no es posible montarlo en esta posición, es admisible montarlo a la trasera de las ruedas girando todo el conjunto 180° (nota: en este caso, consulte el esquema del eje trasero al cablear el sistema). Asegúrese de que la barra transversal principal (3) está situada en el centro del conjunto caravana/mover (el centro está marcado). Ajuste la posición lateral de cada lado del motor de modo que los rodillos queden centrados con respecto al neumático, o lo más cerca posible del centro, asegurándose de dejar 10 mm de espacio entre el neumático y la caja de cambios del motor (Fig. 10).

Estudie la Fig.14. En un lado del vehículo, eleve el conjunto de la estructura y ajuste sin apretar el conjunto de abrazaderas a la estructura y al chasis según la Fig.14. Las fijaciones de las abrazaderas (7,16,17,18) no deben estar más que apretadas con los dedos en esta fase. Una vez que se haya autoapuntalado mediante las fijaciones sueltas, repita el proceso en el otro lado del vehículo.



Tenga cuidado al elevar y fijar la estructura y las abrazaderas. Utilice medios auxiliares de elevación y/o una segunda persona al elevar/montar.

Con el conjunto principal instalado sin apretar en el chasis, deslice todo el conjunto a lo largo del chasis hasta que los rodillos (Fig.2.A o Fig.3.A) estén a 20 mm de la superficie de cada neumático (véase Fig.5 o Fig.8). Se suministran dos distanciadores (30) de 20 mm para ajustar esta distancia. Tenga en cuenta que los desplazadores deben estar en posición desembragada cuando se ajuste la distancia de 20 mm. Al ajustar la separación, asegúrese de que los rodillos de ambos desplazadores estén centrados en línea con los neumáticos del vehículo, tanto horizontal como verticalmente, para permitir el mejor contacto posible con las ruedas (véase la Fig.10 como referencia). Si la anchura de los rodillos es superior a la del neumático, asegúrese de que el extremo del rodillo esté alineado con la pared exterior del neumático. El saliente en la pared interior del neumático es aceptable en neumáticos más finos, y no debería afectar drásticamente al funcionamiento o al agarre.



Es importante que cada rodillo esté exactamente a la misma distancia del neumático. Todo el conjunto debe estar paralelo al eje de la caravana/remolque para que el sistema funcione según lo previsto.

## Instalación - Sistema de pinza clásico (Fig.14) cont.

Una vez que esté satisfecho con el espaciado del motor, apriete completamente las cuatro tuercas nyloc (17) en ambos conjuntos de sujeción (Fig.14) a un par de 40 pies lbs/55Nm, luego los pernos (Fig.1.B y Fig.1.C) en cada marco del lado del motor a un par de 9 pies lbs/12Nm. Vuelva a comprobar la distancia de 20 mm entre los rodillos y los neumáticos y, si es necesario, afloje los pernos y vuelva a ajustar la posición del conjunto. Una vez que esté satisfecho con la posición del conjunto, coloque y apriete las tuercas y pernos de tope del chasis (7) en cada una de las placas superiores de la abrazadera Classic (8) (véase la Fig. 14). Apriete a un par de 40 ft lbs/55Nm. Los pernos de tope sujetan el borde del chasis y ayudan a evitar que la máquina se deslice a lo largo del chasis.

Ya se han instalado los principales componentes mecánicos.

## Instalación - Sistema de pinza Shark (Fig.15)

Ensamble sin apretar la barra transversal principal (3) dentro del lado del armazón del motor (1) y el lado del armazón del motor. (2) (ver Fig.1). Las tuercas/pernos (Fig.1.B) en los bastidores del motor, no deben estar más que apretados con los dedos en esta etapa. Monte la barra de accionamiento transversal deslizando las barras de accionamiento (5) en la barra central de accionamiento (4) y móntelas en las varillas de montaje del motor (Fig.1.A). Fije las barras de accionamiento a estas varillas utilizando la tuerca nyloc y el perno suministrados (preinstalados en las barras de accionamiento). Las tuercas (Fig.1.C) para la fijación no deben estar más que apretadas con los dedos en esta etapa.

Coloque el conjunto (Fig.1) sin apretarlo debajo de la caravana. En principio, el conjunto debe montarse delante de las ruedas de carretera de la caravana, pero si no es posible montarlo en esta posición, se puede montar en la parte trasera de las ruedas girando todo el conjunto 180°.

Normalmente, las abrazaderas Shark se montan previamente en los laterales del motor para facilitar el montaje, pero si las abrazaderas se han comprado por separado o no están premontadas, deben montarse en la estructura como se muestra en la figura 15. Antes de intentar instalar el desplazador en el chasis de su caravana, asegúrese de que las tuercas de fijación (Fig.16.E) estén apretadas, fijando los pernos traseros (Fig.16.B) en su lugar, permitiendo que la mordaza superior (Fig.16.C) se desplace en el eje vertical.

Con las tuercas y tornillos de fijación instalados sin apretar (Fig.16.A y F), deslice la mordaza superior (Fig.16.C) hacia arriba para abrir las mordazas de la abrazadera en un lado del motor. Enganche la mordaza superior en el chasis de la caravana, dejando que el lado del motor cuelgue en su sitio. Repita este proceso con el segundo lado del motor para que todo el conjunto quede suspendido en su sitio.

Con las tuercas/pernos del travesaño sueltos (Fig.1B), ajuste la posición lateral de cada lado del motor para que los rodillos queden centrados con respecto al neumático, o lo más cerca posible del centro, asegurándose de dejar 10 mm de espacio entre el neumático y la caja de cambios de la máquina motriz (Fig.10). Una vez ajustadas, asegúrese de que las abrazaderas no se han movido de su posición, sujetando firmemente el lado del motor de la estructura y empujando las abrazaderas hacia fuera hasta que los pernos de fijación y el chasis estén a una distancia de 1-2 mm entre sí. Una vez que esté satisfecho con la anchura total del sistema de desplazamiento, apriete las tuercas/pernos del travesaño (Fig.1B) y las tuercas/pernos de accionamiento transversal (Fig.1C) a 9ft lbs/12Nm para fijar la anchura.

## Instalación - Sistema Shark Clamp (Fig.15) cont.

Deslice todo el conjunto a lo largo del chasis hasta que los rodillos (Fig.2.A o Fig.3.A) estén a 20 mm de la superficie del centro de cada neumático (Fig.5 o Fig.8). Se suministran dos distanciadores de 20 mm (30). Apriete completamente los pernos de sujeción (Fig.16.A) en ambos conjuntos de sujeción a un par de apriete de 40 ft lbs/55Nm. Al apretar un perno de la abrazadera, el otro puede aflojarse ligeramente, por lo que pueden ser necesarias varias pasadas para apretar completamente ambos pernos en cada abrazadera. Un consejo es apretar todos los tornillos de la abrazadera hasta que haya una fuerte resistencia antes de apretarlos completamente.

Tenga en cuenta que no es necesario apretar las tuercas/pernos traseros (Fig.16.B y E). Estos componentes están en su lugar únicamente para ayudar con el proceso de instalación y no son un método de fijación.

## Instalación - Componentes mecánicos (configuración AWD)

Para instalar una configuración de tracción total en su caravana, siga las mismas instrucciones descritas en las secciones anteriores "Instalación - Componentes mecánicos". La configuración AWD sigue exactamente el mismo proceso, con la única diferencia de la orientación de los motores. En una configuración AWD, los motores que accionan el eje trasero del vehículo deben estar orientados hacia la parte delantera de la caravana (véase la Fig. 12).

Asegúrese de seguir al pie de la letra la sección de configuración AWD del manual de instalación eléctrica/electrónica para garantizar que estos conjuntos de motor funcionan según lo previsto y no unos contra otros.

## Compromiso/descompromiso del conductor

Con los modelos EM4446 Ego Enduro y EGO400 Titanium, el proceso de acoplamiento es manual. Para acoplar sus motores, coloque la herramienta de acoplamiento (6) en el eje del motor (Fig.2.G o Fig.3.G) paralela al suelo en una posición opuesta a la rueda en cuestión. Para acoplar el motor, gire la herramienta de acoplamiento 180 grados hacia la rueda en cuestión (véase la fig. 4 o la fig. 7). Si las barras de accionamiento transversal se han montado correctamente, el proceso de acoplamiento de un motor también debería acoplar el lado opuesto del vehículo.

El mecanismo de enganche utiliza una simple leva sobre el centro que empuja los rodillos hacia los neumáticos y luego se bloquea automáticamente. Si el desplazador se ha instalado correctamente, a una distancia exacta de 20 mm de los neumáticos cuando está desembragado, la fuerza ejercida por el rodillo sobre el neumático será suficiente para la mayoría de las circunstancias de uso (Fig. 6 o Fig. 9).

Nota: Independientemente del lado del vehículo desde el que se accione el acoplamiento, la herramienta debe girar siempre hacia la rueda para acoplar y en sentido contrario para desacoplar.

Para desenganchar los rodillos, simplemente vuelva a colocar la herramienta en uno de los ejes y gírela alejándola del neumático. Tenga en cuenta que al principio sentirá una pequeña resistencia al desenganchar la leva de su posición de bloqueo; el muelle hará el resto del trabajo y alejará el rodillo del neumático hasta la posición de desenganche total (Fig.5 o Fig.8).

## Instalación - Componentes eléctricos/electrónicos

Consulte el manual suministrado con el sistema electrónico para la instalación del cableado, las instrucciones de funcionamiento y la resolución de problemas, o visite [www.purpleline.co.uk/qtr-m003](http://www.purpleline.co.uk/qtr-m003).

## Mantenimiento

Compruebe periódicamente que los rodillos de las unidades de accionamiento están libres de suciedad o residuos que puedan haberse acumulado durante el uso o los periodos de inactividad.

Compruebe regularmente la distancia entre los rodillos y los neumáticos. En la posición neutra, totalmente desembragada (Fig.5 o Fig.8) debe ser de 20 mm.

Una vez al año, realice el mantenimiento y la inspección visual de los motores de su caravana. Esta inspección debe incluir todas las conexiones de pernos/tuercas, los cables y las conexiones eléctricas y la lubricación de las piezas móviles/articulaciones.

Los largos periodos de inactividad generan la posibilidad de que los elementos de los motores dejen de funcionar. Aplique lubricación y elimine la oxidación cuando sea necesario.

NO utilice ningún tipo de agua a presión ni productos químicos para limpiar los motores de su caravana.



Cuando realice el mantenimiento de su sistema de motorreductor, asegúrese de aislar la alimentación eléctrica; de lo contrario, podría electrocutarse.

En caso de averías o problemas, póngase en contacto con su proveedor de Caravan Mover.

## Registro de productos

Registre su caravana Quattro® en línea en un plazo de 14 días a partir de la fecha de compra. El registro es rápido y sencillo, vaya a [www.purpleline.co.uk/product-registration](http://www.purpleline.co.uk/product-registration). Conserve el recibo de compra original.

Rellene los números de serie + información adicional y conserve este manual para futuras consultas. Los números de serie se encuentran en la etiqueta del producto en cada una de las secciones del motor. El número de serie puede tener hasta 18 dígitos. Anote los números de serie en la sección siguiente para futuras consultas. Los números de serie serán necesarios para el registro del producto.

Número de serie del motor	<input type="text"/>
	<input type="text"/>
Fecha de compra	<input type="text"/>
Nombre del concesionario	<input type="text"/>

## Garantía

Los sistemas de traslado de caravanas Quattro® están provistos de una garantía de sólo piezas en el Reino Unido por un periodo de 7 años (EGO400 Quattro Titanium) y 5 años (EM4446 Ego Enduro) que incluye los primeros 12 meses reglamentarios, más un periodo de garantía ampliada adicional de 6 y 4 años respectivamente. Tenga en cuenta que los periodos de garantía ampliada sólo se ofrecen si se completa y devuelve el registro del producto en un plazo de 14 días a partir de la fecha de compra. Cualquier reclamación de garantía debe dirigirse a través del lugar de compra con una prueba de compra proporcionada. La cobertura de la garantía se limita a los productos del Reino Unido continental.

Durante el periodo de cinco años, el fabricante, a su entera discreción, sustituirá o reparará cualquier pieza que haya fallado si considera que se debe a un defecto de fabricación.

El fabricante no se hace responsable de ninguna pérdida consecuente.

Tras la inspección, los componentes que falten al cotejarlos con la lista de contenido del embalaje deben comunicarse al lugar de compra en un plazo de 5 días laborables.

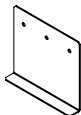
Esta garantía sólo está disponible para el comprador original del producto y no es transferible.

Lo que no está cubierto:

- Desgaste normal.
- Daños que se consideren debidos a un uso indebido o negligencia por parte del cliente.
- El coste de la reparación tras un daño accidental, un uso indebido del producto o una manipulación deliberada.
- No se ofrece garantía para ningún tipo de uso comercial.
- Como resultado de la retirada o modificación de todos los equipos de una gama de modelos.
- Fuerza mayor, por ejemplo, daños causados por acontecimientos extraordinarios o circunstancias ajenas a la voluntad de cualquier persona.
- Daños como consecuencia de la entrada de agua.
- Transporte o cualquier gasto adicional en que se incurra, incluido el desplazamiento o la mano de obra.
- Sistema eléctrico de la caravana, incluidos fusibles, enchufes, baterías, conexiones y mazos de cables. Arañazos, abolladuras, pintura y adornos estéticos.
- Daños debidos a una instalación incorrecta o al incumplimiento de las instrucciones de montaje del fabricante.
- No se cubrirá ninguna pieza o componente que esté fuera de fabricación o que ya no esté disponible.
- No se concederá cobertura si el producto ha sido modificado de algún modo.
- Daños producidos por el uso del producto fuera de las recomendaciones de carga del fabricante.

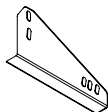
## Adaptadores opcionales

Los adaptadores de abrazadera de chasis adicionales que se muestran a continuación están disponibles para su compra:



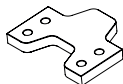
### Placas adaptadoras de chasis de perfil bajo (N° de pieza CM-029)

Si la altura del bastidor de su chasis es inferior a 140 mm, estas placas deben instalarse para bajar el conjunto y proporcionar la altura correcta de 185 mm. Puede ser necesario taladrar el chasis. Nota: En algunos países, la instalación debe ser revisada por un técnico profesional con el fin de cumplir con las regulaciones locales.



### Adaptadores de chasis de vía estrecha (N° de pieza CM-030)

Estas placas deben utilizarse si tiene un chasis AL-KO Vario III/AV con un grosor de bastidor inferior a 2,8 mm. Deben colocarse detrás del eje utilizando los orificios pretaladrados ya disponibles en el chasis, por lo que el motor debe montarse detrás del eje.



### Separadores de 16 mm - 1 par (N° de pieza CM-028/Q)

Utilice espaciadores para bajar el conjunto del desplazador si su chasis tiene una altura de bastidor de entre 140 y 185 mm. Se puede utilizar un máximo de 3 juegos de separadores para conseguir una altura correcta del bastidor de 185 mm. Debe utilizarse un juego de pernos de abrazadera extendidos junto con estos espaciadores (N° de pieza CM-031). [Sólo para uso con la pinza Classic].



### Juego de 8 pernos M10 x 100 (N° de pieza CM-031)

Juego de 8 pernos de abrazadera extendidos para usar con separadores de 16 mm. [Sólo para uso con la pinza Classic].

## INFORMACIÓN DE APROBACIÓN

	MODELO MOVER				
<b>APROBACIÓN</b>	QUATTRO600	EGO500	QUATTRO500	EGO400	EM4446
<b>UNECE R10</b>	E1*10R06/01*9650		E1*10R06/01*9651		
<b>ABE</b>	KBA 91897	KBA 91896	KBA 91897	KBA 91509	KBA 91230

Todos los modelos de mototrallas han obtenido la autorización general de circulación (ABE) para Alemania. Las homologaciones se enumeran en la tabla anterior y están referenciadas correspondientemente en los productos correspondientes. Los documentos de homologación ABE pueden solicitarse a Purple Line o descargarse de nuestro sitio web y deben llevarse en el vehículo en Alemania. La homologación quedará invalidada si el producto se utiliza fuera de los usos previstos en este manual.

Todos los modelos de motorreductores han sido homologados conforme a las normas técnicas armonizadas relativas a la compatibilidad electromagnética de los equipos de automoción (UNECE R10 Add.9 Rev.6). Las homologaciones se enumeran en la tabla anterior y se indican en los productos correspondientes. La homologación quedará invalidada si el producto se utiliza fuera de los límites previstos, tal como se indica en este manual.

En la instalación de cualquier sistema Mover se deberán cumplir las normas técnicas y administrativas del país en el que esté matriculado el vehículo. Cualquier modificación de la unidad, o el uso de piezas de repuesto y accesorios importantes para el funcionamiento del sistema que no sean piezas originales de Purple Line y el incumplimiento de las instrucciones de instalación y funcionamiento anularán la garantía y eximirán a Purple Line de cualquier reclamación de responsabilidad. Además, se anulará la aprobación de funcionamiento del aparato.

## INFORMACIÓN DE CONTACTO

UK Purple Line Limited  
Peninsula Business Centre  
Wherstead, Suffolk  
IP9 2BB, United Kingdom

Tel: +44 (0) 1473 601200  
E-mail: [info@purpleline.co.uk](mailto:info@purpleline.co.uk)

EU Purple Line GmbH  
Jägerhofstraße 29,  
Düsseldorf,  
40479, Deutschland

Tel: +44 (0) 1473 601200  
E-mail: [info@purpleline.co.uk](mailto:info@purpleline.co.uk)

# DECLARACIÓN DE CONFORMIDAD DE LA UE

**Fabricante:**

Purple Line Limited  
Peninsula Business Centre,  
Wherstead, Suffolk, IP9 2BB,  
United Kingdom

**Representante autorizado:**

Purple Line GmbH  
Jägerhofstraße 29,  
40479 Düsseldorf,  
Germany

**Objetos de la declaración:**

**Designación del producto:** Quattro Caravan Motor Movers with  
**(Código de referencia)** Quattro Smart Electronics (QUATTRO400-001)

**Modelos:** QUATTRO500, QUATTRO500/S, QUATTRO600, QUATTRO600/S  
EGO500, EGO500/S, EGO400, EGO400/S, EM4446, EM4446/S

Purple Line Limited, declara bajo su exclusiva responsabilidad que los productos arriba mencionados cumplen los requisitos esenciales de las siguientes Directivas de la Unión Europea, cuando se utilizan de la forma prevista:

Directiva de compatibilidad electromagnética [CEM]  
(2014/30/UE) ETSI EN301489-1 V2.2.0 (2017-03)  
ETSI EN301489-17 V3.2.0 (2017-03)  
ETSI EN301489-9

Directiva sobre equipos radioeléctricos [RED]  
(2014/53/UE) ETSI EN300328  
V2.2.0 (2017-11) EN 62479: 2010

Directiva sobre restricciones a la utilización de determinadas sustancias peligrosas [RoHS] (2011/65/UE) EN IEC 63000:2018

Directiva de baja tensión [BT]  
(2014/35/UE) EN 62368-  
1:2014+A11:2017

**Emisor:** Purple Line Limited

**Ubicación:** Suffolk, United Kingdom

**Firmante autorizado:** Jonathan Harrison, Managing Director

**Fecha:** 09/12/2022

**Firma:**

DOC-CE-QUATTRO400-001

# DECLARACIÓN DE CONFORMIDAD DE LA UE

**Fabricante:**

Purple Line Limited  
Peninsula Business Centre,  
Wherstead, Suffolk, IP9 2BB,  
United Kingdom

**Representante autorizado:**

Purple Line GmbH  
Jägerhofstraße 29,  
40479 Düsseldorf,  
Germany

**Objetos de la declaración:**

**Designación del producto:** Quattro Caravan Motor Movers with  
**(Código de referencia)** Basic Auto Engage Electronics (CM-071)

**Modelos:** QUATTRO500, QUATTRO500/B, QUATTRO600, QUATTRO600/B  
EGO500, EGO500/B, EGO400, EGO400/B, EM4446, EM4446/B

Purple Line Limited, declara bajo su exclusiva responsabilidad que los productos arriba mencionados cumplen los requisitos esenciales de las siguientes Directivas de la Unión Europea, cuando se utilizan de la forma prevista:

Directiva de compatibilidad electromagnética [CEM]  
(2014/30/UE) ETSI EN 301 489-1 V2.2.3  
EN 55032:2015  
EN 61000-3-2:2014  
EN 61000-3-3:2013  
EN 55035:2017

Directiva sobre equipos radioeléctricos [RED]  
(2014/53/UE) EN IEC 63000:2018

Directiva sobre restricciones a la utilización de determinadas sustancias peligrosas [RoHS] (2011/65/UE) EN IEC 63000:2018

**Emisor:** Purple Line Limited

**Ubicación:** Suffolk, United Kingdom

**Firmante autorizado:** Jonathan Harrison, Managing Director

**Fecha:** 09/12/2022

**Firma:**

A handwritten signature in black ink, appearing to read 'Jonathan Harrison', written over a horizontal line.



## Indholdsfortegnelse

INDHOLDSFORTEGNELSE	SIDE NR.
Indholdsfortegnelse	100
Indhold i pakken (Fig.A)	101 - 102
Tekniske referencediagrammer	103 - 107
Introduktion	108
Retningslinjer for montering	108
Specifikation	108
Installation - Sikkerhedsretningslinjer	109
Installation - mekaniske komponenter	109
Installation - Classic Clamp System	110 - 111
Installation - Shark Clamp System	111 - 112
Installation - Mekaniske komponenter (AWD-konfiguration)	112
Engagement/afspænding af flyttemand	112
Installation - elektriske/elektroniske komponenter	112
Vedligeholdelse	113
Produktregistrering	113
Garanti	114
Valgfrie tilpasningsadaptere	115
Godkendelsesoplysninger	116
Kontaktoplysninger	116
EU-overensstemmelseserklæring	117 - 118

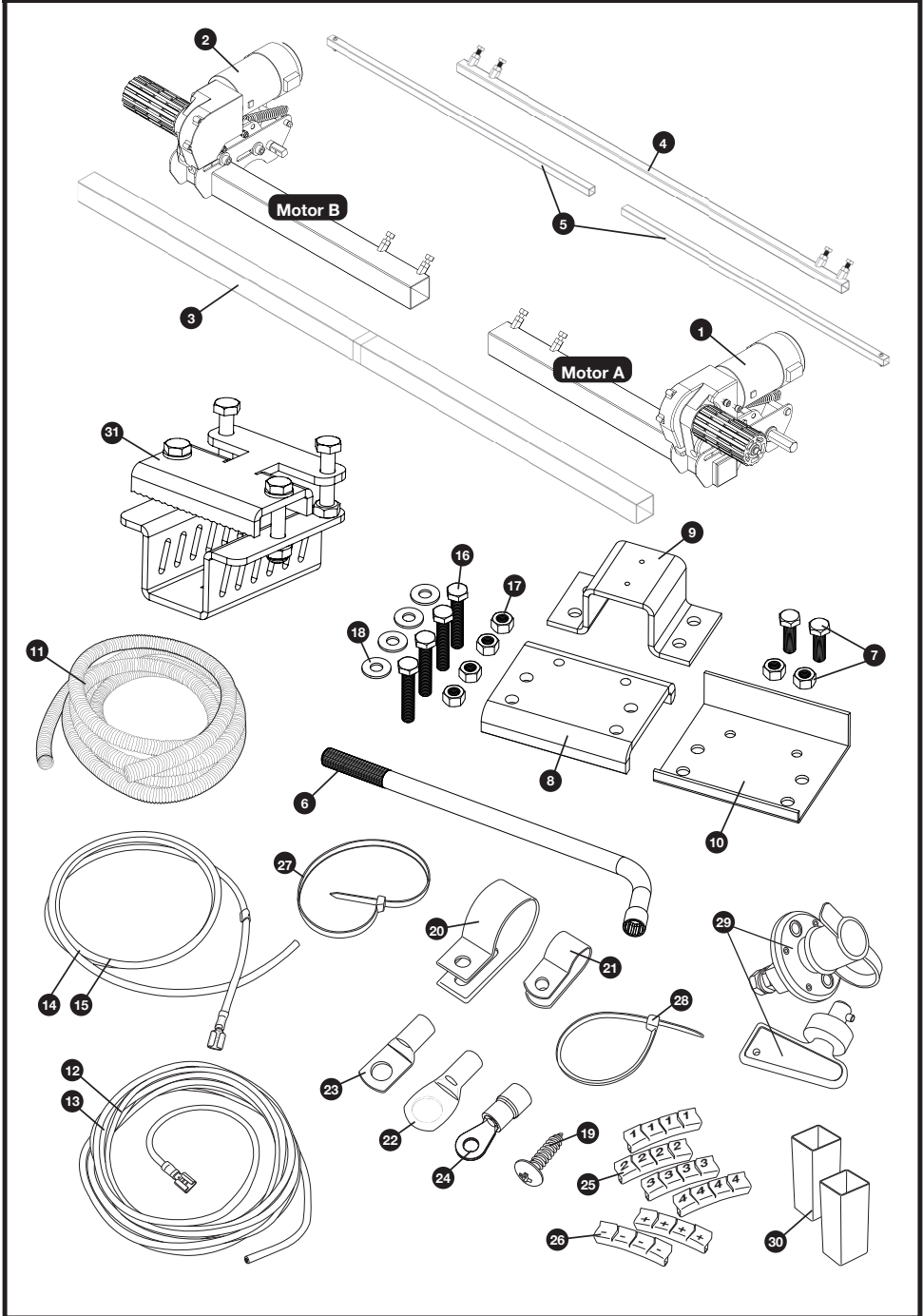
## Indhold i pakken (Fig.A)

REF	ANTAL	BESKRIVELSE
1	1	Motorenhed (A)
2	1	Motorenhed (B)
3	1	Hovedkrydsstang
4	1	Tværgående betjening af centerstang
5	2	Indsætningsstænger med krydsbetjening
6	1	Værktøj til engagement
7	4	Classic Clamp - stopmøtrik og bolt*
8	2	Classic Clamp - øverste plade*
9	2	Classic Clamp - U-plade*
10	2	Classic Clamp - nederste plade*
11	1	Konvolutteret kabelgennemføring
12	2	Positiv (+) rød motortråd
13	2	Negativ (-) sort motortråd
14	1	Positiv (+) rød batterikabel
15	1	Negativ (-) sort batteriledning
16	8	Classic Clamp - M10x55mm bolt
17	8	Classic Clamp - M10 Nyloc-møtrik
18	8	Classic Clamp - Ø10mm skive
19	20	M4x15mm P-Clip-skrue
20	10	Kabel P-clips 19.2mm
21	10	Kabel P-clips 10.4mm
22	4	Tilslutning til batteripol Ø8mm
23	4	Terminal ringforbindelse Ø6mm
24	4	Terminal ringforbindelse Ø4mm
25	3	Kabelnummermarkører (1,2,3,4)
26	3	Polaritetsmarkører for kabler (+,-)
27	4	Kabelbindere til motorenhed 8x400
28	10	Kabelbindere 2x70
29	1	Afbryder til strømisolering (inkl. nøgle og fastgørelser)
30	2	20 mm afstandsafstande til ruller
31	2	Shark Clamp-monteringssystem*



\*Afhængigt af model leveres enten Classic Clamp eller Shark Clamp.

Fig.A



# Tekniske referencediagrammer

Fig.1

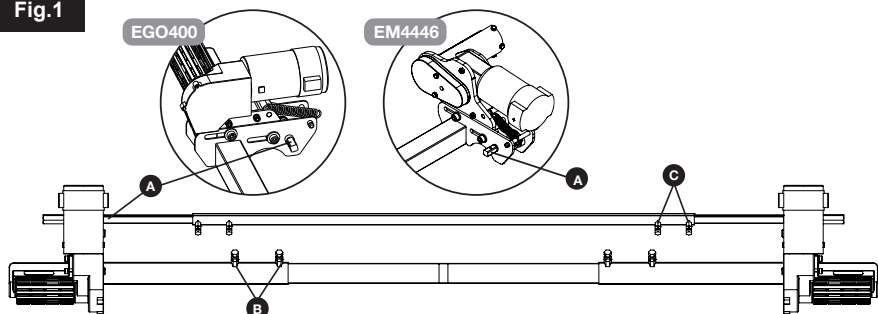
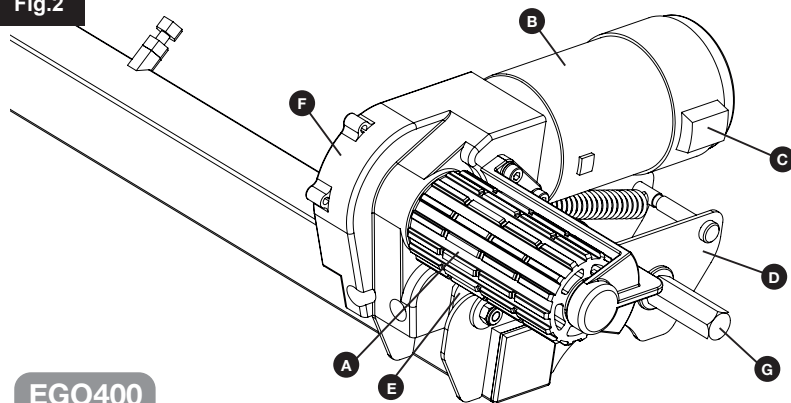
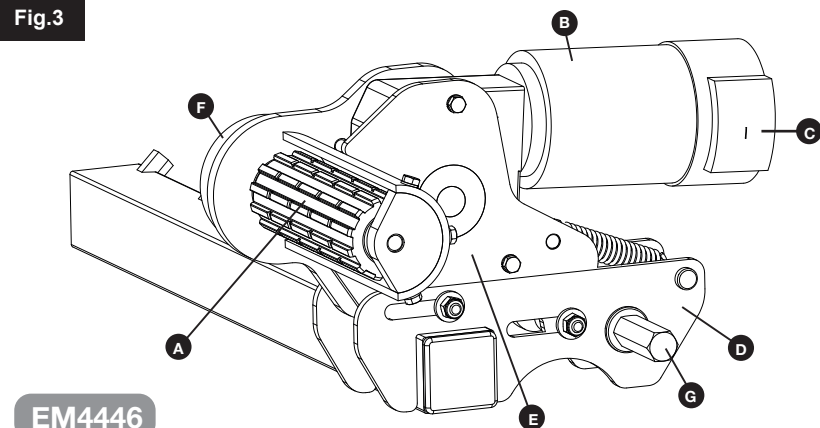


Fig.2



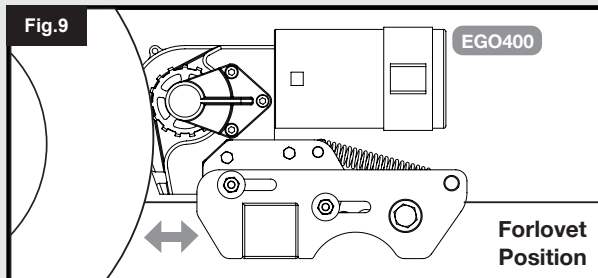
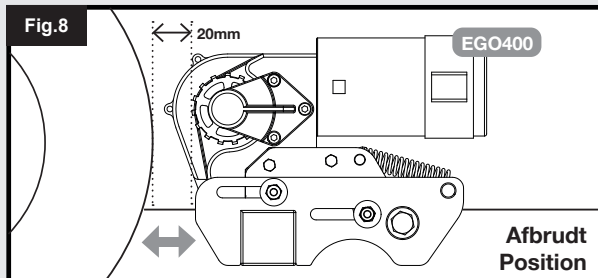
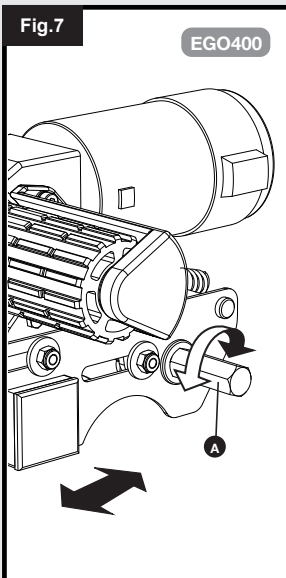
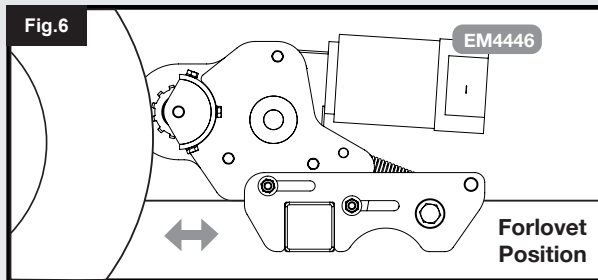
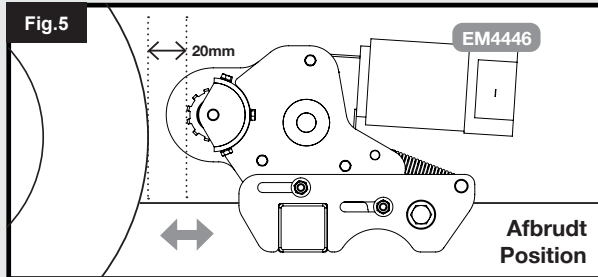
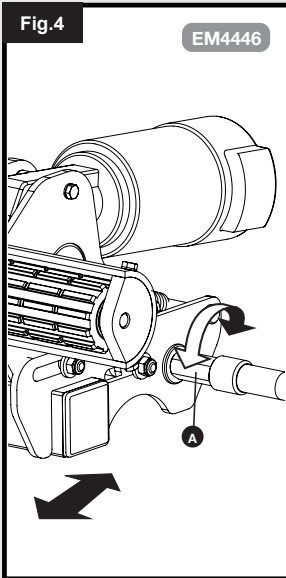
EGO400

Fig.3

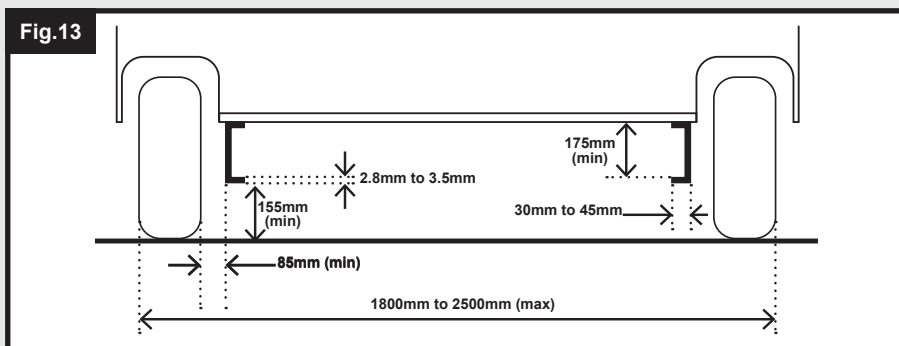
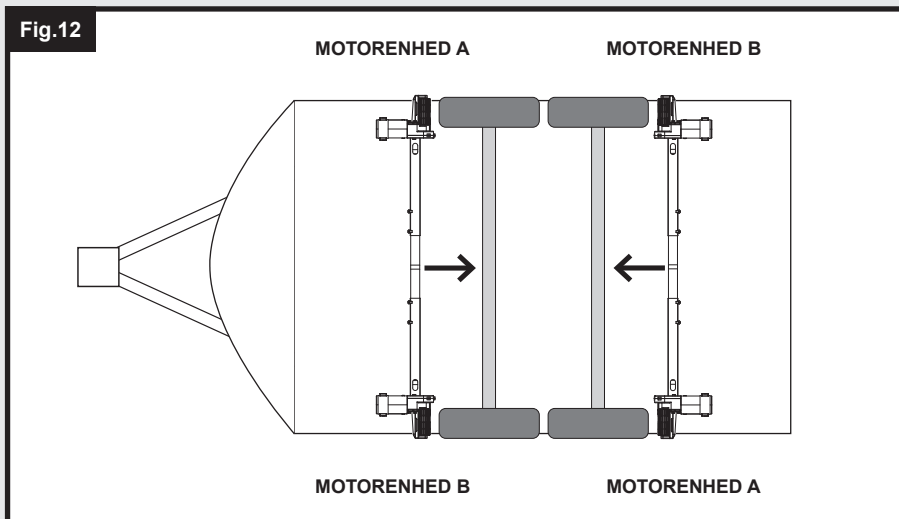
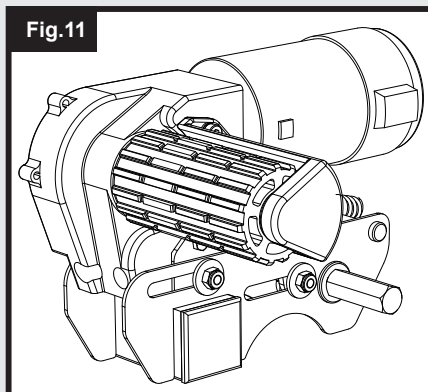
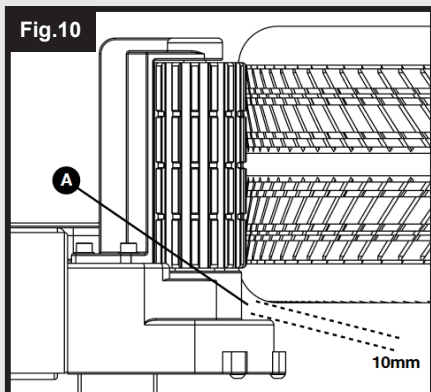


EM4446

# Tekniske referencediagrammer

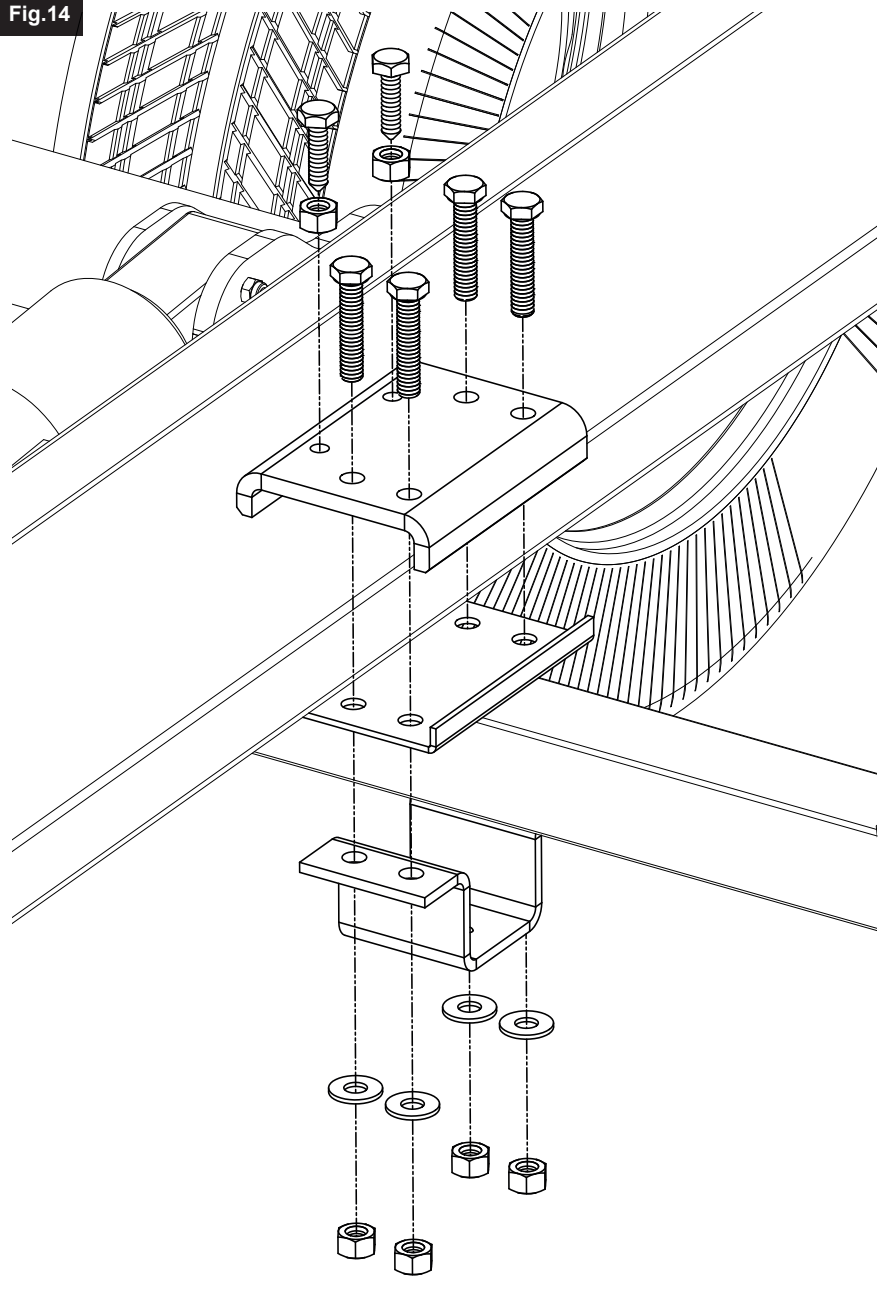


# Tekniske referencediagrammer



# Tekniske referencediagrammer

Fig.14



# Tekniske referencediagrammer

Fig.15

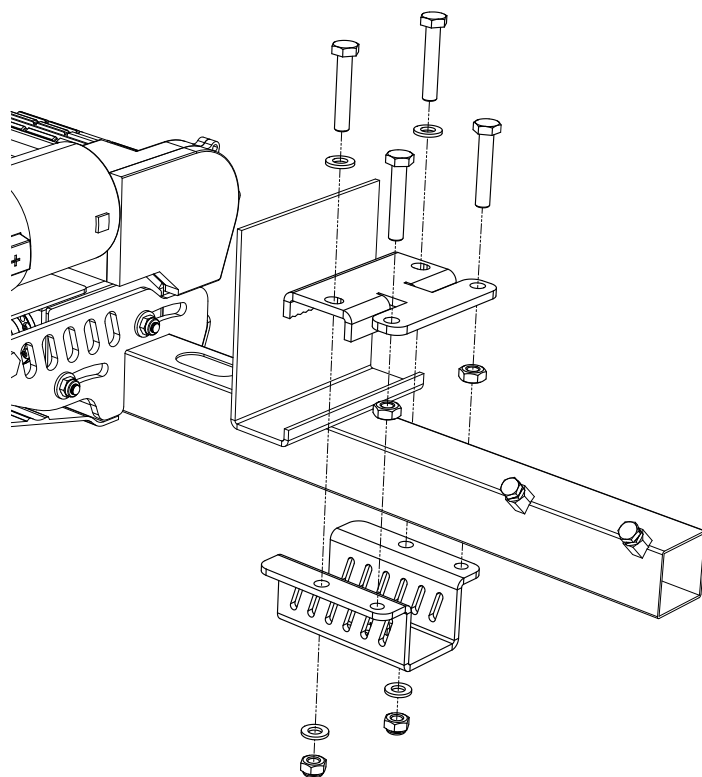
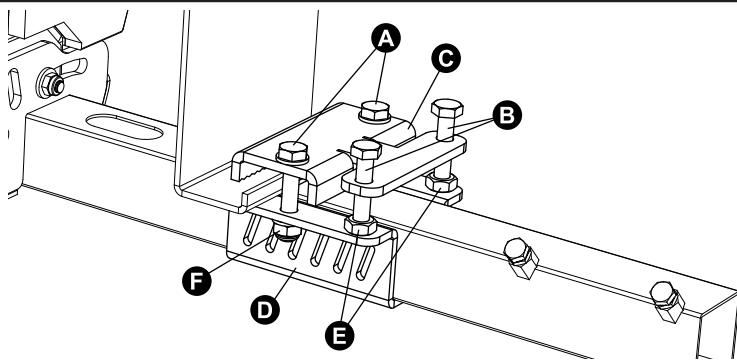


Fig.16



## Introduktion

Tak, fordi du har valgt denne campingvognsmobil. Dette produkt er fremstillet i henhold til høje standarder og har gennemgået omhyggelige kvalitetskontrolprocedurer. Ved blot at bruge fjernbetjeningen kan du flytte din campingvogn ubesværet til enhver ønsket position inden for de gældende retningslinjer.



Før du går videre med installationen og begynder at bruge moveren, skal du læse denne manual meget omhyggeligt og være opmærksom på alle sikkerhedsinstruktioner! Ejeren af campingvognen er altid ansvarlig for korrekt brug. Opbevar denne manual inde i campingvognen til fremtidig reference.

Denne installationsvejledning dækker to modeller af Caravan Mover: EM4446 - Ego Enduro og EGO400 - Quattro Titanium. Eventuelle forskelle mellem modellerne er beskrevet i detaljer, hvor det er relevant. Mover-systemet består af to 12V-motordrevne ruller, en elektronisk 12V-kontrolboks og en fjernbetjening. For at fungere skal de motordrevne ruller være i kontakt med campingvognens dæk for at fungere. Krydsbetjeningssystemet gør det muligt at sætte begge movers ruller i gang samtidig. Når dette er gjort, er moveren klar til brug. Fjernbetjeningen giver dig mulighed for at flytte din campingvogn i alle retninger.

Vær opmærksom på, at visse installationer i Tyskland er underlagt yderligere tekniske krav end i resten af Europa. Hvis campingvognsmobilen efter installationen har let tilgængelige, udsatte skarpe kanter, som ikke er dækket af campingvognens karosseri, er det sandsynligt, at der skal monteres en ekstra afdækning. Kontakt venligst Purple Line for yderligere hjælp og se "Valgfri monteringsadaptere", hvor disse valgfrie afdækninger er opført med en forklaring på montering.

## Retningslinjer for montering

Chassisklemmerne, der følger med dette system, er egnede til montering på de fleste standardchassiser til campingvogne, der har en L-formet eller U-formet profil (fig. 11). Se fig. 13 for reference til dimensioner og afstand, FØR du går videre med installationen. Hvis dit chassis har andre dimensioner end dem, der er vist i fig. 13, er der forskellige chassis-klemmeadaptere til rådighed, som passer til de fleste britiske og kontinentale campingvogne; se venligst afsnittet "Valgfri monteringsadaptere" i denne manual.

## Specifikation

Modelnummer	EGO400	EM4446
Driftsspænding	12V DC	12V DC
Gennemsnitligt strømforbrug *	25A (approx.)	25A (approx.)
Maksimalt strømforbrug **	120A	120A
Hastighed	12cm/s (approx.)	9cm/s (approx.)
Ca. nettovægt (inkl. alle fastgørelser og tilbehør)	35 kg	40 kg
Sikker arbejdsbelastning (SWL) Twin-motor/ kvademotor	2250kg / 3500kg	2250kg / 3500kg
Mindste bredde (campingvogn/anhænger)	1800mm	1800mm
Maksimal bredde (campingvogn/anhænger)	2500mm	2500mm
Strømkilde (campingvognens fritidsbatteri)	12V	12V

\* Gennemsnitligt strømforbrug ved brug af en ca. 1100 kg enkeltakslet campingvogn på et hårdt, jævnt underlag.

\*\* Målinger af maksimalt strømforbrug ved brug af en ca. 1100 kg enkeltakslet campingvogn, der kører op ad en stigning på 1:4 (25 %).

## Installation - Sikkerhedsretningslinjer



Læs denne brugervejledning omhyggeligt før installation og brug. Manglende overholdelse af disse regler kan medføre alvorlig personskade eller skade på ejendom.

Før installationen af campingvognsmobilen påbegyndes:

Kontroller, at campingvognen er afbrudt fra batteriet og fra elnettet.

Brug kun adaptere og tilbehør, der er leveret eller anbefalet af producenten. Kontroller, at dækkene ikke er for slidte (det er bedst at montere nye eller næsten nye dæk). Sørg for, at dæktrykket er korrekt i henhold til producentens anbefaling.

Sørg for, at chassiset er i god stand uden skader og er fri for rust, snavs osv.

Stop straks arbejdet, hvis du er i tvivl om monteringen eller procedurer, og kontakt en af vores ingeniører.

Sæt batteriafbryderen så den altid er tilgængelig, når du parkerer og flytter campingvognen.

Der må IKKE fjernes, ændres eller ændres på nogen dele af chassiset, akslen, affjedringen eller bremsmekanismen.

Betjen IKKE enheden, hvis du er påvirket af stoffer, alkohol eller medicin, der kan påvirke din evne til at bruge udstyret på en sikker måde.



Denne vejledning er en generel vejledning. Installationsprocedurerne kan variere afhængigt af campingvognstype.



Brug passende støtte! Det er ekstremt farligt at arbejde under et køretøj uden passende støtte. Hvis du selv monterer moversystemet, anbefales det, at installationen udføres af to personer, da moveren skal løftes op til bunden af campingvognens chassis, før klemmerne kan monteres.



Husk at udfylde produktregistreringsformularen med serienumrene for hver motorsamling inden montering (se detaljerne i afsnittet Garanti i denne manual).

## Installation - mekaniske komponenter

Før at påbegynde den mekaniske installation skal du sørge for, at campingvognen står på et hårdt, plant underlag. Hvis det er muligt, er det ideelt at bruge en løfterampe eller en monteringsgrav for at sikre adgang og personlig sikkerhed.

Sørg for, at din campingvogn er forberedt til montering. Rengør de relevante monteringsområder på dit chassis for at sikre en sikker montering af moversystemet. Kontroller før installationen, at vigtige områder, som f.eks. afløb, reservedæk osv. ikke udgør nogen hindring for installationen af moversystemet og dets tilsigtede funktion.

Pak alle komponenter ud, og kontrollér, at alle dele er til stede (se pakkeindhold i fig. A). Installationsvejledningen vil fortsat henvise til de varenumre, der er vist i Fig.A. Før og under hele installationen skal du sikre dig, at movers forbliver i positionen DISENGAGED (se Fig.5 eller Fig.8), da enheden ellers ikke vil passe korrekt.

## Montering - Classic Clamp System (Fig.14)

Saml motorrammesiden (1), motorrammesiden (2) og hovedtraversen (3) løst (se fig. 1). Møtrikkerne (Fig.1.B) til fastgørelse af tværstangen må ikke være mere end fingerspændt på dette tidspunkt. Saml den tværgående betjeningsstang ved at skubbe betjeningsstængerne (5) ind i den centrale betjeningsstang (4) og monter dem på motorens stænger (fig. 1.A). Fastgør betjeningsstængerne til disse stænger ved hjælp af den medfølgende nyloc-møtrik og bolt (på forhånd monteret på betjeningsstængerne). Møtrikkerne (fig. 1.C) til fastgørelse må ikke være mere end fingerspændt på dette stadium.

Placer samlingen (fig.1) løst under campingvognen. I princippet bør enheden monteres foran campingvognens hjul, men hvis det ikke er muligt at montere den i denne position, er det tilladt at montere den på baghjulene ved at dreje hele samlingen 180° (bemærk: i dette tilfælde skal du henvise til bagakselskemaet, når du tilslutter systemet). Sørg for, at hovedkrydsstangen (3) er placeret i midten af campingvogn/mover-enheden (midten er markeret). Juster den laterale position af hver motorside, så rullerne er centralt placeret i forhold til dækket, eller så tæt på midten som muligt, og sørg for, at der er 10 mm plads mellem dækket og moverens gearkasse (fig. 10).

Undersøgelse Fig.14. På den ene side af køretøjet løftes rammen op og fastgør fastspændingsenheden løst til rammen og chassiset som vist i fig. 14. De medfølgende fastgørelser (7,16,17,18) må ikke være mere end fingerspændt på dette stadium. Når de løse fastgørelser er selvbærende, gentages processen på den anden side af køretøjet.



Vær forsigtig, når du løfter og fastgør rammen og klemmerne. Brug løftehjælpe midler og/eller en anden person, når du løfter/monterer.

Når hovedaggregatet er løst monteret på chassiset, skubbes hele aggregatet langs chassiset, indtil rullerne (fig. 2.A eller fig. 3.A) er 20 mm fra overfladen af hvert dæk (se fig. 5 eller fig. 8). Der medfølger to 20 mm afstandsstykker (30) til at indstille denne afstand. Bemærk, at bevægerne skal være i den udkoblede position, når afstanden på 20 mm er indstillet. Når afstanden indstilles, skal det sikres, at rullerne på begge movers er centralt på linje med køretøjets dæk både horisontalt og vertikalt for at sikre den bedst mulige hjulkontakt (se fig. 10 som reference). Hvis rullernes bredde er større end dækkets bredde, skal det sikres, at rullens ende er på linje med dækkets ydervæg. Overhæng på dækkets indervæg er acceptabelt på tyndere dæk og bør ikke påvirke funktion eller vejgreb drastisk.



Det er vigtigt, at hver rulle er i nøjagtig samme afstand fra dækket. Hele anordningen skal være parallel med campingvognens/trailerens aksel, for at systemet kan fungere efter hensigten.

## Montering - Classic Clamp System (Fig.14) forts.

Når du er tilfreds med moverens afstand, skal du stramme de fire nyloc-møtrikker (17) på begge spændesamlinger (fig. 14) fuldt til med et moment på 40 ft lbs/55Nm, derefter boltene (fig. 1.B og fig. 1.C) på hver motorside til et moment på 9ft lbs/12Nm. Kontroller igen afstanden på 20 mm fra rullerne til dækkene, og om nødvendigt løsnes boltene, og samlingens position justeres igen. Når du er tilfreds med samlingens position, monteres og spændes chassisstopmøtrikkerne og -boltene (7) i hver af de øverste plader (8) for Classic Clamp-klemmen (se fig. 14) (se fig. 14). Tilspænd med et moment på 40 ft lbs/55 Nm. Stopboltene griber fat i chassisets læbe og hjælper med at forhindre, at moveren glider langs chassiset.

De vigtigste mekaniske komponenter er nu blevet installeret.

## Montering - Shark Clamp System (Fig.15)

Saml hovedtraversen (3) løst inde i motorrammesiden (1) og motorrammesiden (2) (se fig. 1). Møtrikkerne/boltene (Fig.1.B) på motorrammerne må ikke være mere end fingerspændt på dette tidspunkt. Saml den tværgående betjeningsstang ved at skubbe betjeningsstængerne (5) ind i den centrale betjeningsstang (4) og monter dem på motorens stænger (fig. 1.A). Fastgør betjeningsstængerne til disse stænger ved hjælp af den medfølgende nyloc-møtrik og bolt (på forhånd monteret på betjeningsstængerne). Møtrikkerne (fig. 1.C) til fastgørelse må ikke være mere end fingerspændt på dette stadium.

Placer samlingen (fig.1) løst under campingvognen. I princippet skal enheden monteres foran campingvognens hjul, men hvis det ikke er muligt at montere den i denne position, er det tilladt at montere den bagved hjulene ved at dreje hele enheden 180° grader.

Typisk vil Shark Clamp være færdigmonteret på motorsiderne for at lette monteringen, men hvis klemmerne er købt separat eller ikke er færdigmonterede, skal de monteres på rammen som vist i (Fig.15). Før du forsøger at installere moveren på dit campingvognschassis, skal du sikre dig, at fastgørelsesmøtrikkerne (Fig.16.E) er strammet, så de bageste bolte (Fig.16.B) er fastgjort på plads, hvilket gør det muligt for den øverste kæbe (Fig.16.C) at bevæge sig i den lodrette akse.

Med fastgørelsesmøtrikkerne og -boltene løst monteret (fig. 16.A og F) skubbes den øverste kæbe (fig. 16.C) opad for at åbne klemmens kæber på den ene motorside. Hægt den øverste kæbe fast på campingvognens chassis, så motorsiden kan hænge på plads. Gentag denne proces med den anden motorside, således at hele samlingen hænger på plads.

Med tværstangsmøtrikkerne/boltene løse (fig. 1B) justeres den laterale position af hver motorside, så rullerne er centralt placeret i forhold til dækket eller så tæt på midten som muligt, og det sikres, at der er 10 mm plads mellem dækket og moverens gearkasse (fig. 10). Efter justering sikrer du dig, at klemmerne ikke har bevæget sig ud af position ved at holde rammens motorside fast, mens du rækker rundt og skubber klemmerne udad, indtil fastgørelsesboltene og chassiset er inden for 1-2 mm fra hinanden. Når du er tilfreds med moversystemets samlede bredde, spændes tværstangsmøtrikkerne/boltene (fig. 1B) og tværbetjeningsmøtrikkerne/boltene (fig. 1C) til 9ft lbs/12Nm for at indstille bredden.

Skub hele samlingen langs chassiset, indtil rullerne (fig. 2.A eller fig. 3.A) er 20 mm fra overfladen af hvert dæk i midten (fig. 5 eller fig. 8). Der medfølger to 20 mm afstandsstykker (30). Spænd klemskruerne (Fig.16.A) på begge spændesamlinger fuldt til med et moment på 40 ft lbs/55Nm. Når den ene klemmebolt spændes, kan den anden løsnes lidt, så det kan tage flere gange at få begge bolte fuldt tilspændt på hver klemme. Et tip er at stramme alle klemskruer op, indtil der er en stærk modstand, før du tilspænder dem helt.

## Installation - Shark Clamp System (Fig.15) forts.

Bemærk, at det ikke er nødvendigt at stramme/tilspænde de bageste møtrikker/bolte (fig. 16.B og E). Disse komponenter er udelukkende anbragt for at hjælpe med installationsprocessen og er ikke en fastgørelsesmetode.

## Installation - Mekaniske komponenter (AWD-konfiguration)

For at installere en konfiguration med firehjulstræk på din campingvogn skal du følge de samme instruktioner som i de foregående afsnit om "Installation - mekaniske komponenter". Opsætning af AWD følger nøjagtig den samme proces, med den eneste forskel er orienteringen af movers. I en AWD-konfiguration skal de movers, der driver køretøjets bagaksel, være orienteret med front mod campingvognens forende (se fig. 12).

Sørg for at følge afsnittet om AWD-konfiguration i den elektriske/elektroniske installationsvejledning nøje for at sikre, at disse motorsamlinger fungerer efter hensigten og ikke mod hinanden.

## Engagement/afspænding af flyttemand

Med EM4446 Ego Enduro og EGO400 Titanium mover-modellerne er det en manuel proces at sætte den i gang. For at sætte dine motorer i gang skal du placere indstillingsværktøjet (6) på motorspindlen (Fig.2.G eller Fig.3.G) parallelt med jorden i en position, der vender væk fra det pågældende hjul. For at sætte motoren i gang drejes indstillingsværktøjet 180 grader i retning af det pågældende hjul (se fig. 4 eller fig. 7). Hvis de tværgående aktiveringsstænger er monteret korrekt, bør processen med at aktivere den ene motor efterfølgende også aktivere den modsatte side af køretøjet.

Indgrebsmekanismen anvender en simpel over-center-nok, der skubber rullerne på dækkene og derefter låser sig automatisk på plads. Hvis moveren er monteret korrekt, dvs. præcis 20 mm fra dækkene, når den er udkoblet, vil den kraft, som rullerne udøver på dækket, være tilstrækkelig under de fleste anvendelsesforhold (fig. 6 eller fig. 9).

Bemærk: Uanset hvilken side af køretøjet du betjener indgrebet fra, skal værktøjet altid drejes mod hjulet for at gribe ind og væk fra hjulet for at løsne det.

For at frigøre rullerne skal du blot sætte værktøjet på en af spindlerne og dreje det væk fra dækket. Bemærk, at du i begyndelsen vil mærke en lille modstand, når du frigør kammen fra dens låste position; fjederen vil derefter gøre resten af arbejdet og trække valsen væk fra dækket og ind i den helt frigjorte position (fig. 5 eller fig. 8).

## Installation - elektriske/elektroniske komponenter

*Se den manual, der følger med elektronikken, for installation af ledninger, betjeningsvejledning og fejlfinding, eller besøg [www.purpleline.co.uk/qtr-m003](http://www.purpleline.co.uk/qtr-m003)*

## Vedligeholdelse

Kontroller regelmæssigt, at drivaggregaternes ruller er fri for snavs eller snavs, som kan være blevet opsamlet under brug/under perioder med inaktivitet.

Kontroller regelmæssigt afstanden mellem rullerne og dækkene. I neutral, helt udkoblet position (fig. 5 eller fig. 8) skal denne afstand være 20 mm.

En gang om året skal du få dine campingvognsmobiler vedligeholdt og visuelt kontrolleret. Denne inspektion skal omfatte alle bolt/møtrikforbindelser, kabler og elektriske forbindelser samt smøring af bevægelige dele/led.

Lange perioder med inaktivitet skaber mulighed for, at elementer i bevægerne kan ophøre. Håndter dette i overensstemmelse hermed ved at smøre og fjerne oxidation, hvor det er nødvendigt.

Brug IKKE nogen form for vand under tryk eller kemisk rengøring på dine campingvognsmobiler.



Når du vedligeholder dit motormoversystem, skal du sørge for at isolere den elektriske forsyning, hvis du ikke gør det, kan du blive ramt af elektrisk stød.

I tilfælde af fejl eller problemer skal du kontakte din leverandør af Caravan Mover.

## Produktregistrering

Du skal registrere din Quattro® campingvognsmobil online inden for 14 dage efter købet. Registreringen er hurtig og enkel, gå til [www.purpleline.co.uk/product-registration](http://www.purpleline.co.uk/product-registration). Behold venligst din originale købs kvittering.

**Udfyld venligst serienumrene + yderligere oplysninger og opbevar denne vejledning til senere brug.** Serienumrene findes på produktmærket på hver af motordelene. Serienummeret kan være op til 18 cifre langt. Notér venligst dine serienumre i afsnittet nedenfor til fremtidig reference. Serienumrene vil være nødvendige for produktregistrering.

Motorens serienummer	<input type="text"/>
	<input type="text"/>
Dato for køb	<input type="text"/>
Navn på forhandler	<input type="text"/>

## Garanti

Quattro® campingvognsmobiler er forsynet med en britisk reservedelsgaranti i en periode på 7 år (EGO400 Quattro Titanium) og 5 år (EM4446 Ego Enduro), som omfatter de første 12 måneders lovpligtig garanti plus en yderligere udvidet garantiperiode på henholdsvis 6 og 4 år. Bemærk venligst, at de forlængede garantiperioder kun tilbydes, hvis produktregistreringen udfyldes og returneres inden for 14 dage fra købsdatoen. Eventuelle garantikrav skal rettes gennem købsstedet med et købsbevis. Garantidækningen er begrænset til produkter inden for det britiske fastland.

Inden for denne femårsperiode vil producenten efter eget skøn udskifte eller reparere dele, der er gået i stykker, hvis de anses for at skyldes en fabrikationsfejl.

Producenten tager ikke ansvar for eventuelle følgeskader af nogen art.

Ved inspektion skal komponenter, der mangler, når de kontrolleres i forhold til emballagens indholdsliste, indberettes til købsstedet inden for 5 arbejdsdage.

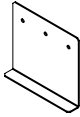
Denne garanti er kun tilgængelig for den oprindelige køber af produktet og kan ikke overdrages.

Hvad er ikke dækket:

- Normal slitage.
- Skader, der anses for at skyldes misbrug eller forsømmelse fra kundens side.
- Udgifterne til reparation efter utilsigtet skade, misbrug af produktet eller forsætlig manipulation.
- Garantien gælder ikke for nogen form for handel eller kommerciel brug.
- Som følge af tilbagekaldelse eller ændring af alt udstyr i en modelserie.
- Force Majeure, f.eks. skader forårsaget af ekstraordinære begivenheder eller omstændigheder, som ingen har kontrol over.
- Skader som følge af indtrængende vand.
- Transport eller eventuelle yderligere omkostninger, herunder rejse eller arbejdskraft.
- Elektrisk udstyr til campingvogne, herunder sikringer, stik, batterier, ledningsforbindelser og kabler. Ridser, buler, maling og kosmetisk udstyr.
- Skader som følge af forkert installation og/eller manglende overholdelse af producentens monteringsvejledning.
- Der ydes ikke dækning for dele eller komponenter, som ikke længere fremstilles eller ikke længere er tilgængelige.
- Der ydes ikke dækning, hvis produktet er blevet ændret på nogen måde.
- Skader, der opstår som følge af, at produktet anvendes uden for producentens belastningsbefalinger.

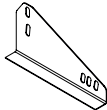
## Valgfrie adaptere til montering

Der kan købes yderligere chassis klemmeadaptore som vist nedenfor:



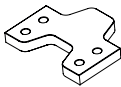
### Adapterplader med lav profil til chassis (del nr. CM-029)

Hvis din chassisramme har en højde på mindre end 140 mm, skal disse plader monteres for at sænke samlingen til den korrekte højde på 185 mm. Det kan være nødvendigt at bore i dit chassis. Bemærk: I nogle lande skal installationen kontrolleres af en professionel tekniker for at overholde de lokale bestemmelser.



### Smalsporede chassisadaptere (del nr. CM-030)

Disse plader skal anvendes, hvis du har et AL-KO Vario III/AV-chassis med en rammetrykkelse på mindre end 2,8 mm. De skal placeres bag akslen ved hjælp af de forborede huller, der allerede findes på chassiset; din mover skal altså monteres bag akslen.



### 16 mm afstandsstykker - 1 par (varenr. CM-028/Q)

Brug afstandsstykker til at sænke mover-enheden, hvis dit chassis har en rammehøjde på mellem 140 og 185 mm. Der kan maksimalt anvendes 3 sæt afstandsstykker for at opnå en korrekt rammehøjde på 185 mm. Der skal anvendes et sæt forlængede klemskruer sammen med disse afstandsstykker (varenr. CM-031).  
[Kun til brug med Classic Clamp.]



### Sæt med 8 stk. M10 x 100 bolte (del nr. CM-031)

Sæt med 8 forlængede klemskruer til brug med 16 mm afstandsstykker.  
[Kun til brug med Classic Clamp.]

## OPLYSNINGER OM GODKENDELSE

	MOVER MODEL				
<b>GODKENDELSE</b>	QUATTRO600	EGO500	QUATTRO500	EGO400	EM4446
<b>UNECE R10</b>	E1*10R06/01*9650		E1*10R06/01*9651		
<b>ABE</b>	KBA 91897	KBA 91896	KBA 91897	KBA 91509	KBA 91230

Der er udstedt generelle driftstilladelser (ABE) til alle modeller af motorvogne for Tyskland. Godkendelserne er anført i tabellen ovenfor og er angivet i overensstemmelse hermed på de tilsvarende produkter. ABE-godkendelsesdokumenter kan rekvireres hos Purple Line eller downloades fra vores websted og skal medbringes i køretøjet i Tyskland. Godkendelsen er ugyldig, hvis produktet anvendes uden for den tilsigtede drift som beskrevet i hele denne manual.

Alle modeller af motorbevægelser er blevet godkendt i henhold til de harmoniserede tekniske standarder for elektromagnetisk kompatibilitet af udstyr til biler (UNECE R10 Add.9 Rev.6). Godkendelserne er anført i tabellen ovenfor og er angivet i overensstemmelse hermed på de tilsvarende produkter. Godkendelsen er ugyldig, hvis produktet anvendes uden for den tilsigtede drift som beskrevet i hele denne manual.

De tekniske og administrative bestemmelser i det land, hvor køretøjet er registreret, skal overholdes, når et Mover-system installeres. Enhver ændring af enheden eller brug af reservedele og tilbehør, der er vigtige for systemets drift, og som ikke er originale Purple Line-dele, og manglende overholdelse af installations- og brugsanvisningerne vil annullere garantien og fritage Purple Line for ethvert erstatningskrav. Desuden vil den operationelle godkendelse af enheden blive annulleret.

## KONTAKTOPLYSNINGER

UK Purple Line Limited  
Peninsula Business Centre  
Wherstead, Suffolk  
IP9 2BB, United Kingdom

Tel: +44 (0) 1473 601200  
E-mail: [info@purpleline.co.uk](mailto:info@purpleline.co.uk)

EU Purple Line GmbH  
Jägerhofstraße 29,  
Düsseldorf,  
40479, Deutschland

Tel: +44 (0) 1473 601200  
E-mail: [info@purpleline.co.uk](mailto:info@purpleline.co.uk)

# EU-ERKLÆRING OM OVERENSSTEMMELSE

**Producent:**

Purple Line Limited  
Peninsula Business Centre,  
Wherstead, Suffolk, IP9 2BB,  
United Kingdom

**Fuldmægtig:**

Purple Line GmbH  
Jägerhofstraße 29,  
40479 Düsseldorf,  
Germany

**Genstandene i angivelsen:****Produktbetegnelse:  
(referencekode)**

Quattro Caravan Motor Movers with  
Quattro Smart Electronics (QUATTRO400-001)

**Modeller:**

QUATTRO500, QUATTRO500/S, QUATTRO600, QUATTRO600/S  
EGO500, EGO500/S, EGO400, EGO400/S, EM4446, EM4446/S

Purple Line Limited, erklærer på eget ansvar, at ovennævnte produkter opfylder de væsentlige krav i følgende EU-direktiver, når de anvendes efter hensigten:

Direktiv om elektromagnetisk kompatibilitet [EMC] (2014/30/EU)

ETSI EN301489-1 V2.2.0 (2017-03)

ETSI EN301489-17 V3.2.0 (2017-03)

ETSI EN301489-9

Direktiv om radioudstyr [RED] (2014/53/EU)

ETSI EN300328 V2.2.0 (2017-11)

EN 62479: 2010

Direktivet om begrænsning af anvendelsen af visse farlige stoffer [RoHS]

(2011/65/EU) EN IEC 63000:2018

Lavspændingsdirektivet [LV] (2014/35/EU)

EN 62368-1:2014+A11:2017

**Udsteder:**

Purple Line Limited

**Beliggenhed:**

Suffolk, United Kingdom

**Fuldmægtig:**

Jonathan Harrison, Managing Director

**Dato:**

09/12/2022

**Underskrift:**

A handwritten signature in black ink, appearing to read 'Jonathan Harrison', written over a horizontal line.

DOC-CE-QUATTRO400-001

## EU-ERKLÆRING OM OVERENSSTEMMELSE

**Producent:**

Purple Line Limited  
Peninsula Business Centre,  
Wherstead, Suffolk, IP9 2BB,  
United Kingdom

**Fuldmægtig:**

Purple Line GmbH  
Jägerhofstraße 29,  
40479 Düsseldorf,  
Germany

**Genstandene i angivelsen:****Produktbetegnelse:  
(referencekode)**

Quattro Caravan Motor Movers with  
Basic Auto Engage Electronics (CM-071)

**Modeller:**

QUATTRO500, QUATTRO500/B, QUATTRO600, QUATTRO600/B  
EGO500, EGO500/B, EGO400, EGO400/B, EM4446, EM4446/B

Purple Line Limited, erklærer på eget ansvar, at ovennævnte produkter opfylder de væsentlige krav i følgende EU-direktiver, når de anvendes efter hensigten:

Direktiv om elektromagnetisk kompatibilitet [EMC] (2014/30/EU)

ETSI EN 301 489-1 V2.2.3

EN 55032:2015

EN 61000-3-2:2014

EN 61000-3-3-3:2013

EN 55035:2017

Direktiv om radioudstyr [RED] (2014/53/EU) EN

IEC 63000:2018

Direktivet om begrænsning af anvendelsen af visse farlige stoffer [RoHS]

(2011/65/EU) EN IEC 63000:2018

**Udsteder:**

Purple Line Limited

**Beliggenhed:**

Suffolk, United Kingdom

**Fuldmægtig:**

Jonathan Harrison, Managing Director

**Dato:**

09/12/2022

**Underskrift:**

A handwritten signature in black ink, appearing to read 'Jonathan Harrison', written over a horizontal line.

DOC-CE-CM071



## Spis treści

SPIS TREŚCI	STRONA NR.
Spis treści	119
Zawartość opakowania (Rys.A)	120 - 121
Techniczne schematy odniesienia	122 - 126
Wstęp	127
Wytyczne dotyczące dopasowania	127
Specyfikacja	127
Instalacja - wskazówki bezpieczeństwa	128
Instalacja - komponenty mechaniczne	128
Montaż - system Classic Clamp	129 - 130
Montaż - system zacisków Shark	130 - 131
Instalacja - Podzespoły mechaniczne (konfiguracja AWD)	131
Zaangażowanie/wycofanie osoby przemieszczającej się	131
Instalacja - komponenty elektryczne/elektroniczne	131
Konserwacja	132
Rejestracja produktu	132
Gwarancja	133
Opcjonalne adaptory montażowe	134
Informacja o zatwierdzeniu	135
Informacje kontaktowe	135
Deklaracja zgodności UE	136 -137

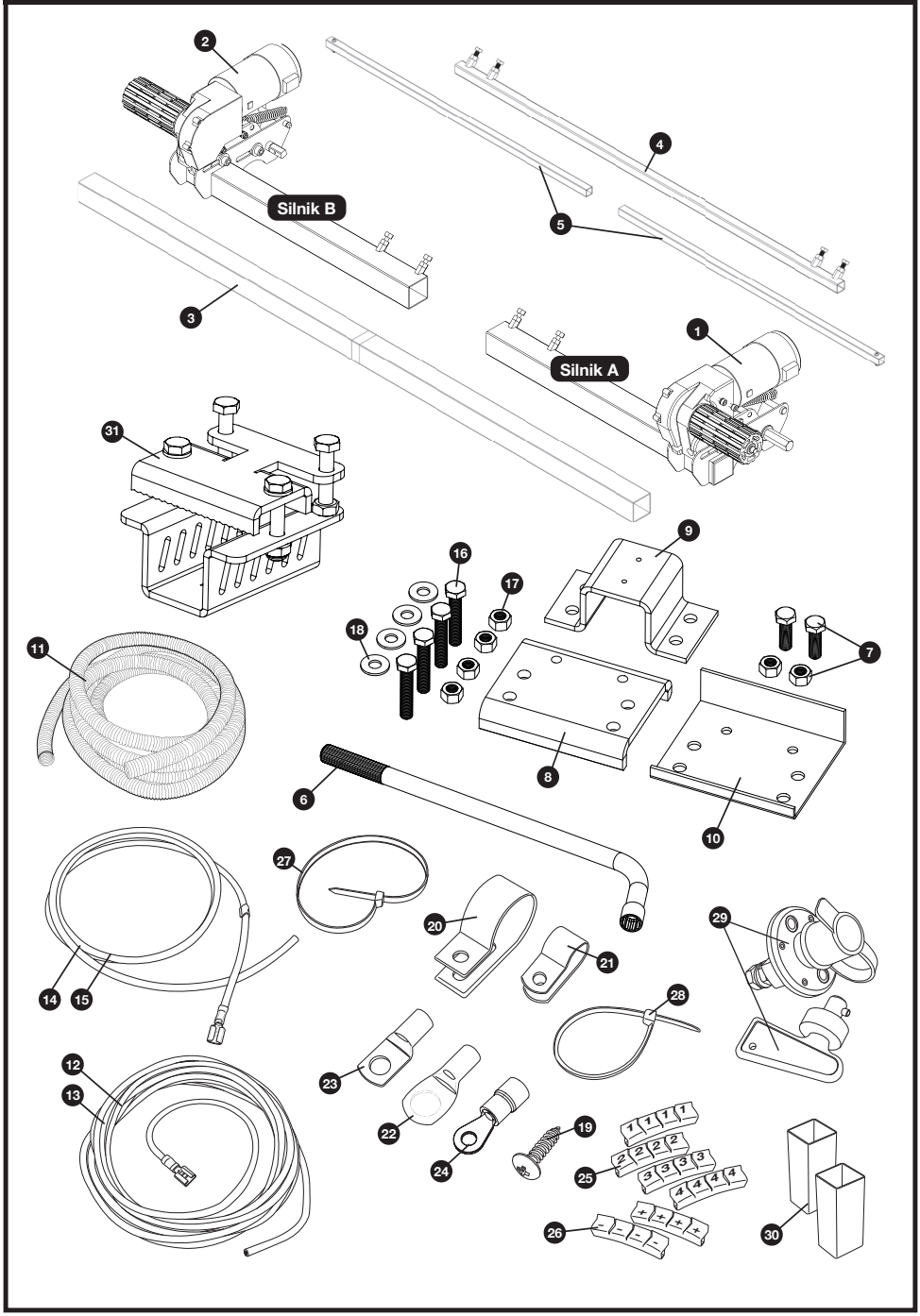
## Zawartość opakowania (Rys.A)

REF	QTY	OPIS
1	1	Jednostka silnikowa (A)
2	1	Jednostka silnikowa (B)
3	1	Główna belka poprzeczna
4	1	Drążek centralny uruchamiania krzyżowego
5	2	Poprzeczne uruchamianie Wkładki do prętów
6	1	Narzędzie zaangażowania
7	4	Klamra Classic - nakrętka i śruba oporowa*
8	2	Classic Clamp - Upper Plate*
9	2	Classic Clamp - U Plate*
10	2	Classic Clamp - Lower Plate*
11	1	Korytka kablowe
12	2	Dodatni (+) Czerwony przewód silnika
13	2	Ujemny (-) czarny przewód silnika
14	1	Dodatni (+) czerwony przewód akumulatora
15	1	Ujemny (-) czarny przewód akumulatora
16	8	Classic Clamp - śruba M10x55mm
17	8	Klasyczny zacisk - nakrętka M10 Nyloc
18	8	Klamra Classic - podkładka Ø10mm
19	20	Śruba P-Clip M4x15mm
20	10	Klipsy do kabli 19,2 mm
21	10	Klipsy do kabli 10,4 mm
22	4	Złącze terminala akumulatora Ø8mm
23	4	Złącze pierścieniowe Ø6mm
24	4	Złącze pierścieniowe Ø4mm
25	3	Oznaczenia numerów kabli (1,2,3,4)
26	3	Znaczniki polaryzacji kabla (+,-)
27	4	Opaski kablowe do jednostek napędowych 8x400
28	10	Opaski kablowe 2x70
29	1	Wyłłącznik izolacyjny zasilania (z kluczem i mocowaniami)
30	2	20mm Roller Distance Spacers
31	2	System montażowy Shark Clamp*



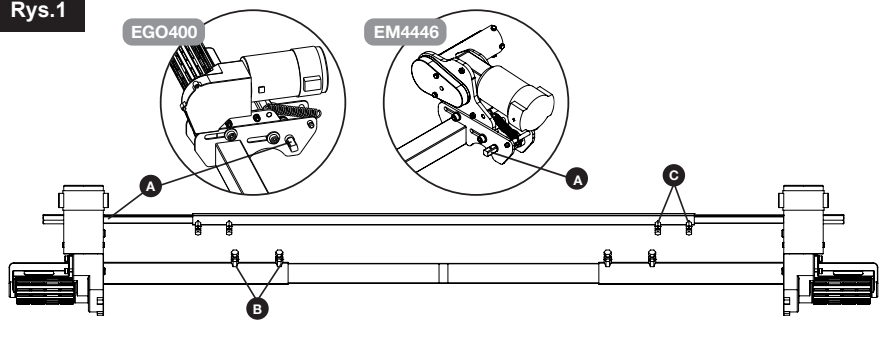
\*W zależności od modelu, w zestawie znajduje się zacisk Classic lub zacisk Shark.

# Rys.A

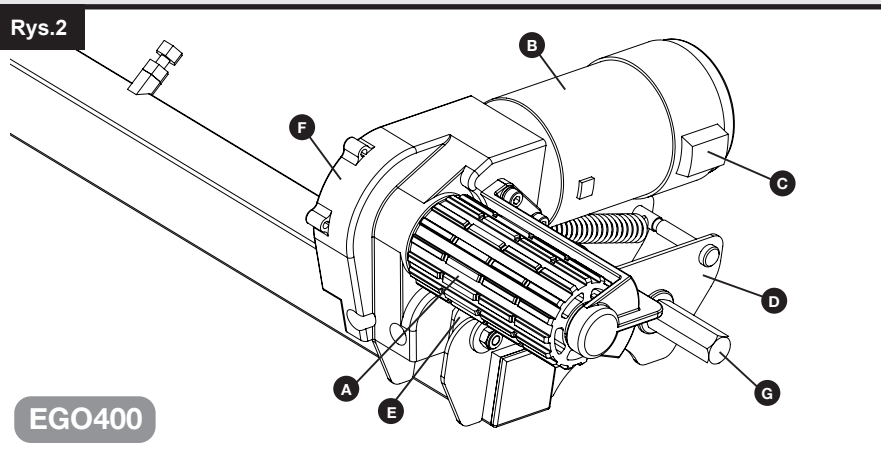


# Techniczne schematy odniesienia

Rys.1

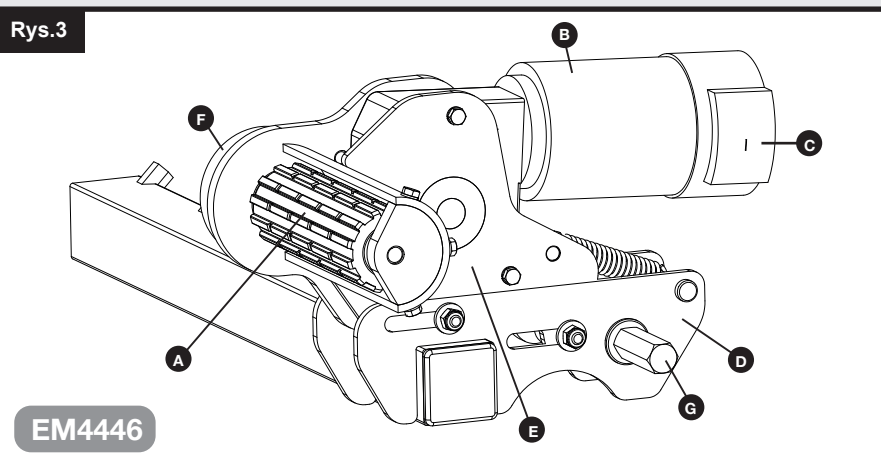


Rys.2



EGO400

Rys.3

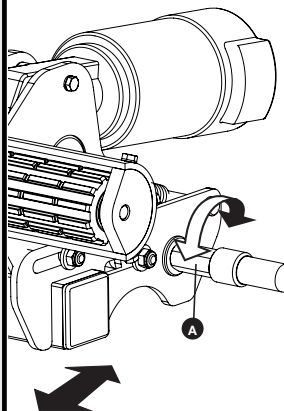


EM4446

# Techniczne schematy odniesienia

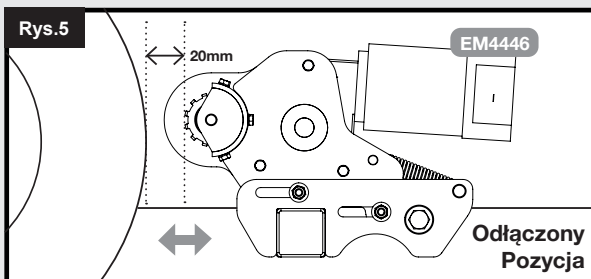
Rys.4

EM4446



Rys.5

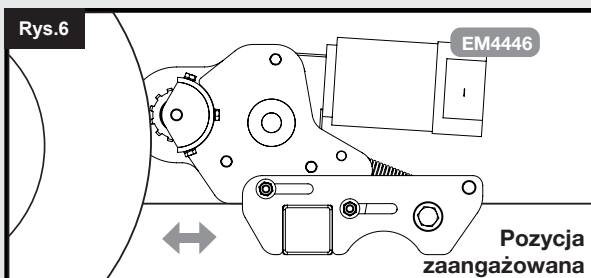
EM4446



Odłączony  
Pozycja

Rys.6

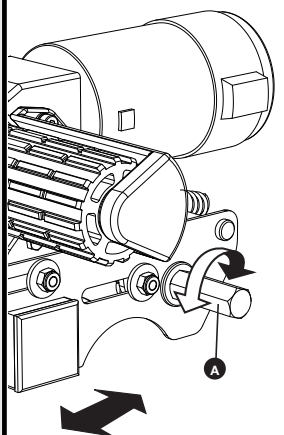
EM4446



Pozycja  
zaangażowana

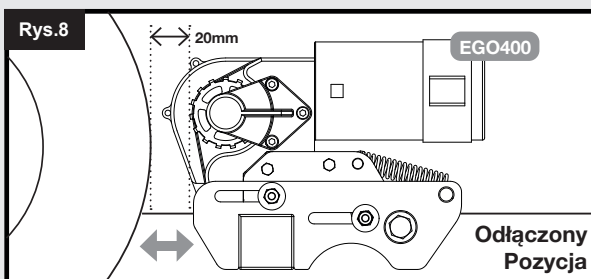
Rys.7

EGO400



Rys.8

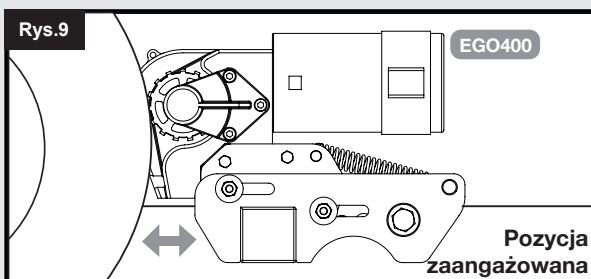
EGO400



Odłączony  
Pozycja

Rys.9

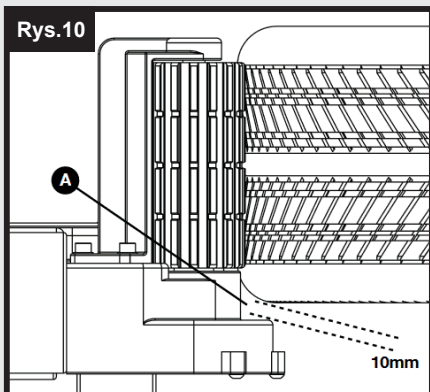
EGO400



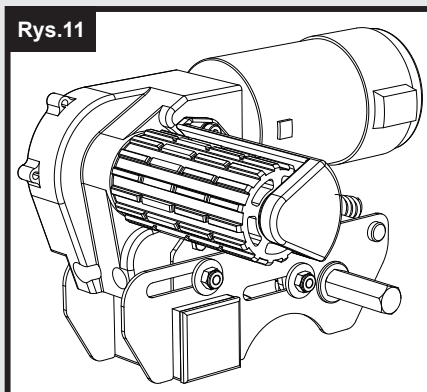
Pozycja  
zaangażowana

# Techniczne schematy odniesienia

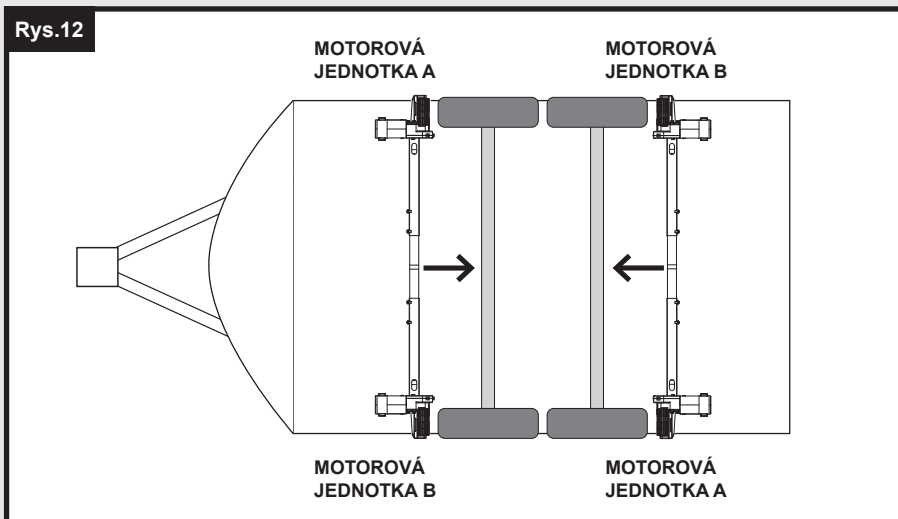
Rys.10



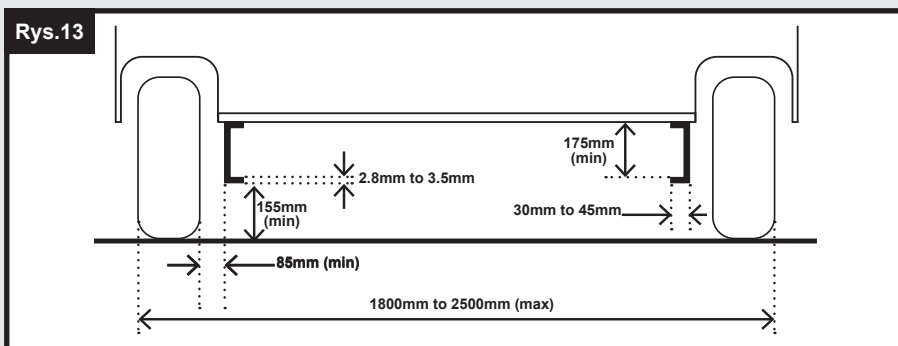
Rys.11



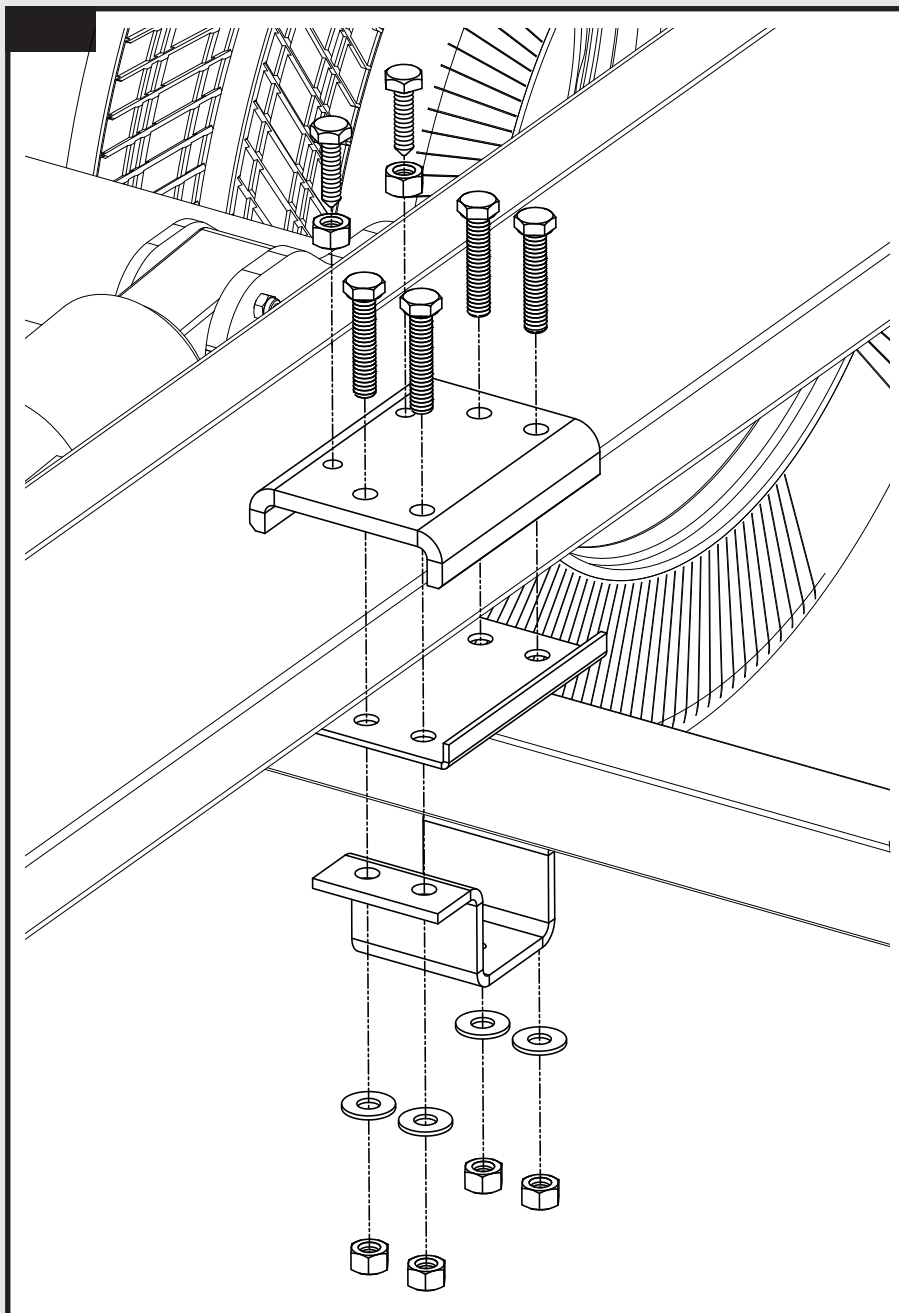
Rys.12



Rys.13

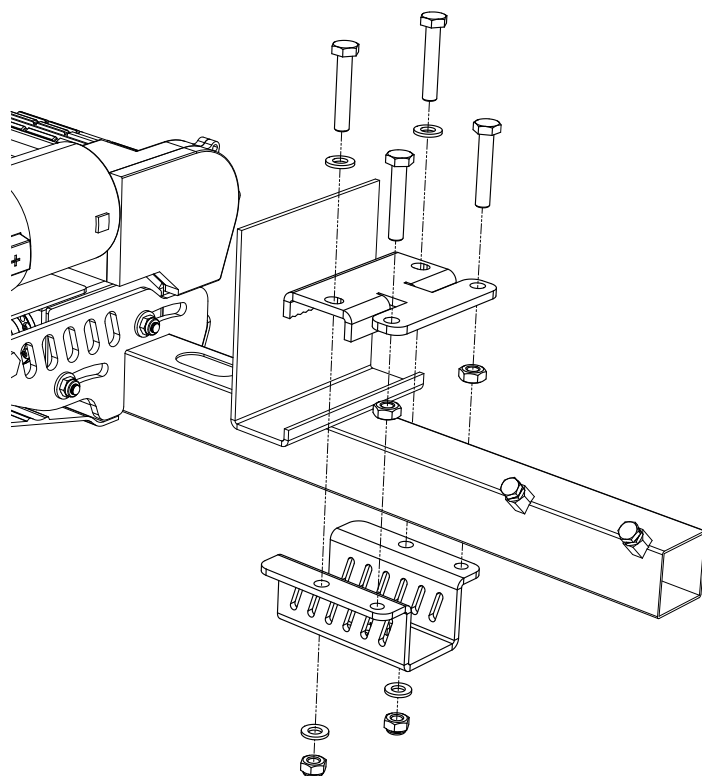


## Techniczne schematy odniesienia

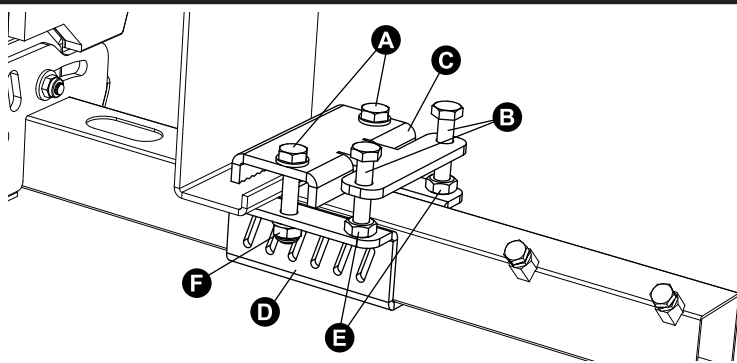


## Techniczne schematy odniesienia

Rys.15



Rys.16



## Úvod

Děkujeme, že jste si vybrali tento stěhovák pro karavany. Tento výrobek byl vyroben podle vysokých standardů a prošel pečlivou kontrolou kvality. Jednoduchým použitím dálkového ovládání můžete svůj karavan bez námahy přesunout do jakékoli požadované polohy v rámci provozních pokynů.



Než přistoupíte k instalaci a začnete mover používat, přečtěte si prosím pečlivě tento návod a dbejte všech bezpečnostních pokynů! Za správné používání je vždy zodpovědný majitel karavanu. Tento návod uschovejte uvnitř karavanu pro budoucí použití.

Tento návod k instalaci se vztahuje na dva modely karavanového stěhováku: EM4446 - Ego Enduro a EGO400 - Quattro Titanium. Případné rozdíly mezi modely jsou podrobně popsány tam, kde je to vhodné. Systém moveru se skládá ze dvou válečků poháněných 12V motorem, 12V elektronické řídicí jednotky a dálkového ovládání. Aby fungoval, musí být motoricky poháněné válce zapřeny o pneumatiky karavanu. Systém křížového ovládání umožňuje současně zapnutí válečků obou stěhováků. Jakmile je to provedeno, je pohyblivé zařízení připraveno k provozu. Dálkové ovládání vám umožní pohybovat karavánem v libovolném směru.

Upozorňujeme, že některé instalace v Německu podléhají dalším technickým požadavkům než ve zbytku Evropy. Pokud má po instalaci stěhovák karavanu snadno přístupné odkryté ostré hrany, které nejsou zakryty karoserií karavanu, je pravděpodobné, že bude nutné nainstalovat dodatečný kryt. Pro další pomoc se obraťte na společnost Purple Line a podívejte se na "Volitelné montážní adaptéry", kde jsou tyto volitelné kryty uvedeny s vysvětlením instalace.

## Pokyny pro montáž

Svorky podvozku dodávané s tímto systémem jsou vhodné pro montáž na většinu standardních podvozků karavanů s profilem ve tvaru písmene L nebo U (Rys.11). Dříve než budete pokračovat v montáži, přečtěte si Rys.13, kde jsou uvedeny rozměry a vůle. Pokud má váš podvozek jiné rozměry, než jsou uvedeny v Rys.13, jsou k dispozici různé adaptéry pro upnutí podvozku, které vyhovují většině britských a kontinentálních karavanů; viz část tohoto návodu nazvaná "Volitelné montážní adaptéry".

## Specifikace

Číslo modelu	EGO400	EM4446
Provozní napětí	12V DC	12V DC
Průměrná spotřeba proudu *	25A (approx.)	25A (approx.)
Maximální odběr proudu **	120A	120A
Rychlost	12cm/s (approx.)	9cm/s (approx.)
Přibližná čistá hmotnost (včetně všech upevňovacích prvků a příslušenství)	35 kg	40 kg
Bezpečné pracovní zatížení (SWL) Dvojitý motor/ čtyřkolový motor	2250kg / 3500kg	2250kg / 3500kg
Minimální šířka (karavan/přívěs)	1800mm	1800mm
Maximální šířka (karavan/přívěs)	2500mm	2500mm
Zdroj energie (baterie pro volný čas karavanu)	12V	12V

\* Průměrné hodnoty spotřeby proudu při použití jednonápravového karavanu o hmotnosti přibližně 1100 kg na tvrdém, rovném povrchu.

\*\* Údaje o maximální spotřebě proudu při použití jednonápravového karavanu o hmotnosti přibližně 1100 kg při stoupání ve sklonu 1:4 (25 %).

## Instalacja - wskazówki bezpieczeństwa



Przed przystąpieniem do instalacji i użytkowania należy dokładnie przeczytać niniejszą instrukcję obsługi. Nieprzestrzeganie tych zasad może spowodować poważne obrażenia lub uszkodzenie mienia.

Przed rozpoczęciem montażu wózka kempingowego:

Należy sprawdzić, czy przyczepa kempingowa jest odłączona od zasilania z akumulatora i od sieci elektrycznej.

**NALEŻY** stosować wyłącznie adaptery i akcesoria dostarczane lub zalecane przez producenta. DO sprawdź, czy opony nie są nadmiernie zużyte (najlepszym rozwiązaniem jest montaż na nowych lub prawie nowych oponach). Upewnij się, że ciśnienie w oponach jest zgodne z zaleceniami producenta.

DO upewnij się, że podwozie jest w dobrym stanie bez żadnych uszkodzeń i jest wolne od rdzy, brudu itp.

W przypadku wątpliwości dotyczących montażu lub jakichkolwiek procedur należy natychmiast przerwać pracę i skonsultować się z jednym z naszych inżynierów.

DO zlokalizuj przełącznik odłączania akumulatora, aby był zawsze dostępny podczas parkowania i przemieszczania przyczepy kempingowej.

**NIE WOLNO** usuwać, zmieniać ani przerabiać żadnych części podwozia, osi, zawieszenia lub mechanizmu hamulcowego. **NIE** obsługuj urządzenia, jeśli jesteś pod wpływem narkotyków, alkoholu lub leków, które mogłyby pogorszyć Twoją zdolność do bezpiecznego korzystania z urządzenia.



Niniejsza instrukcja ma charakter ogólny. Procedury montażowe mogą się różnić w zależności od typu przyczepy kempingowej.



Stosować odpowiednie podpory! Praca pod pojazdem bez odpowiedniego podparcia jest bardzo niebezpieczna. W przypadku samodzielnego montażu systemu movera zaleca się, aby montaż przeprowadzały dwie osoby, ponieważ przed zamontowaniem zacisków konieczne będzie podniesienie movera do dolnej części podwozia przyczepy kempingowej.



Pamiętaj, aby przed montażem wypełnić formularz rejestracyjny produktu z numerami seryjnymi każdego zespołu silnika (patrz szczegóły w części Gwarancja w niniejszej instrukcji).

## Instalacja - komponenty mechaniczne

Aby rozpocząć montaż mechaniczny, upewnij się, że przyczepa kempingowa jest ustawiona na twardej, równej powierzchni. Tam, gdzie jest to możliwe, dla zapewnienia dostępu i bezpieczeństwa osobistego idealnie nadaje się rampa do podnoszenia lub dół montażowy.

Upewnij się, że Twoja przyczepa kempingowa jest przygotowana do montażu. Oczyszcz odpowiednie obszary montażowe podwozia, aby zapewnić bezpieczny montaż systemu mover. Przed montażem sprawdź, czy ważne miejsca, takie jak odpływy, opony zapasowe itp. nie stanowią przeszkody dla montażu systemu mover i jego zamierzonej funkcjonalności.

Rozpakować wszystkie komponenty i sprawdzić, czy wszystkie części są obecne (patrz Zawartość opakowania Rys.A). Instrukcje instalacji będą nadal odnosić się do numerów części pokazanych na Rys.A. Przed i w trakcie instalacji należy upewnić się, że ruchome elementy pozostają w pozycji ODŁĄCZONE (patrz Rys.5 lub Rys.8), ponieważ w przeciwnym razie urządzenie nie będzie prawidłowo dopasowane.

## Installation - Classic Clamp System (Rys.14)

Luźno zmontować stronę ramy silnika (1), stronę ramy silnika (2) i główną poprzeczkę (3) (patrz Rys.1). Nakrętki (Rys.1.B) do mocowania poprzeczki muszą być na tym etapie dokręcone tylko palcami. Zmontować poprzeczną belkę uruchamiającą wsuwając pręty uruchamiające (5) w środkową belkę uruchamiającą (4) i mocując je do prętów zespołu silnika (Rys.1.A). Zamocować pręty uruchamiające do tych prętów za pomocą dostarczonej nakrętki nylon i śruby (wstępnie dołączone do prętów uruchamiających). Nakrętki (Rys.1.C) do mocowania nie mogą być na tym etapie bardziej niż fingertight.

Umieścić zespół (Rys.1) luźno pod przyczepą kempingową. Zasadniczo zespół powinien być zamontowany przed kołami jezdnyymi przyczepy kempingowej, ale jeśli montaż w tej pozycji nie jest możliwy, dopuszczalny jest montaż do tylnej części kół poprzez obrócenie całego zespołu o 180 stopni (uwaga: w tym przypadku podczas podłączania systemu należy zapoznać się ze schematem tylnej osi). Upewnić się, że główna belka poprzeczna (3) jest umieszczona w środku zespołu przyczepy kempingowej/wózka (środek jest zaznaczony). Wyregulować pozycję boczną każdej strony silnika tak, aby rolki znajdowały się centralnie w stosunku do opony lub jak najbliższej środka, zapewniając 10 mm przestrzeni pomiędzy oponą a skrzynią biegów wózka (Rys.10).

Przestudiować Rys.14. Po jednej stronie pojazdu podnieść zespół ramy i luźno zamocować zespół zaciskowy do ramy i podwozia zgodnie z rys. 14. Na tym etapie mocowania zacisków (7, 16, 17, 18) muszą być dokręcone tylko palcami. Po uzyskaniu samonośności poprzez luźne mocowania, należy powtórzyć proces po drugiej stronie pojazdu.



Zachować należytą ostrożność podczas podnoszenia i mocowania ram i uchwytów. Przy podnoszeniu/montażu należy korzystać z urządzeń wspomagających podnoszenie i/lub z pomocy drugiej osoby.

Po luźnym zamontowaniu zespołu głównego na podwoziu, przesunąć cały zespół wzdłuż podwozia, aż rolki (Rys.2.A lub Rys.3.A) znajdą się w odległości 20mm od powierzchni każdej opony (patrz Rys.5 lub Rys.8). Do ustawienia tej odległości służą dwie przekładki 20mm (30). Należy zwrócić uwagę, że przy ustawianiu odstępów 20 mm ruchome elementy powinny znajdować się w pozycji rozłączonej. Podczas ustawiania odstępów należy upewnić się, że rolki na obu rolkach znajdują się centralnie w stosunku do opon pojazdu zarówno w poziomie, jak i w pionie, aby umożliwić jak najlepszy kontakt z kołami (patrz Rys.10 jako punkt odniesienia). Jeśli szerokość rolek przekracza szerokość opony, należy zwrócić uwagę na to, aby koniec rolki był wyrównany z zewnętrzną ścianą opony. Wystające elementy na wewnętrznej ścianie opony są dopuszczalne w przypadku cieńszych opon i nie powinny drastycznie wpływać na funkcjonowanie lub przyczepność.



Ważne jest, aby każda rolka znajdowała się w dokładnie takiej samej odległości od opony. Aby system działał zgodnie z przeznaczeniem, cały zespół musi być równoległy do osi przyczepy/przyczepy.

## Montaż - Classic Clamp System (Rys.14) c.d.

Po upewnieniu się, że odstęp między rolkami są prawidłowe, całkowicie dociągnąć cztery nakrętki nyloc (17) na obu zespołach zaciskowych (Rys.14) momentem obrotowym 40 ft lbs/55Nm, a następnie śruby (Rys.1.B i Rys.1.C) na każdej ramie od strony silnika momentem obrotowym 9ft lbs/12Nm. Ponownie sprawdzić odległość 20 mm od rolek do opon i w razie potrzeby poluzować śruby i ponownie ustawić położenie zespołu. Po ustaleniu pozycji zespołu, zamontować i dokręcić nakrętki i śruby ograniczające podwozie (7) w każdej z górnych płyt obejmują Classic (8) (patrz Rys.14). Dokręcić momentem obrotowym 40 ft lbs/55Nm. Śruby oporowe chwytają krawędź podwozia i zapobiegają przesuwaniu się wózka wzdłuż podwozia.

Główne elementy mechaniczne zostały już zamontowane.

## Montaż - system zacisków Shark (Rys.15)

Luźno zamontować główną belkę poprzeczną (3) wewnątrz strony ramy silnika (1) i strony ramy silnika (2) (patrz rys. 1). Nakrętki/śruby (Rys.1.B) na ramach silnika muszą być na tym etapie dokręcone tylko palcami. Zmontować poprzeczny drążek uruchamiający, wsuwając drążki uruchamiające (5) w środkowy drążek uruchamiający (4) i mocując je do prętów zespołu silnika (Rys.1.A). Zamocować pręty uruchamiające do tych prętów za pomocą dostarczonej nakrętki i śruby nyloc (wstępnie dołączone do prętów uruchamiających). Nakrętki (Rys.1.C) do mocowania muszą być na tym etapie maksymalnie dokręcone.

Umieścić zespół (Rys.1) luźno pod przyczepą kempingową. Zasadniczo zespół powinien być zamontowany przed kołami jezdnyymi przyczepy kempingowej, ale jeśli montaż w tej pozycji nie jest możliwy, dopuszczalne jest zamontowanie go z tyłu kół poprzez obrót całego zespołu o 180 stopni.

Zwyczajaj klamry Shark Clamp będą wstępnie zmontowane na burtach silnika dla ułatwienia montażu, ale jeśli klamry zostały zakupione oddzielnie lub nie są wstępnie zmontowane, należy je zamontować na ramie jak pokazano na (Rys.15). Przed przystąpieniem do montażu wózka na podwoziu przyczepy kempingowej należy upewnić się, że nakrętki mocujące (Rys.16.E) są dokręcone, mocując tylne śruby (Rys.16.B) na miejscu, co pozwoli na przesunięcie górnej szczęki (Rys.16.C) w osi pionowej.

Przy luźno zamontowanych nakrętkach i śrubach mocujących (Rys.16.A i F), przesunąć górną szczękę (Rys.16.C) w górę, aby otworzyć szczękę zacisku po stronie silnika. Zawiesić górną szczękę na podwoziu przyczepy kempingowej, pozwalając stronie silnikowej zwiisać w miejscu. Powtórzyć ten proces z drugą stroną silnikową, tak aby cały zespół był zawieszony na miejscu.

Przy poluzowanych nakrętkach/śrubach poprzecznych (Rys.1B) wyregulować boczne położenie każdej strony silnikowej tak, aby rolki znajdowały się centralnie na oponie lub jak najbliższej środka, pamiętając o pozostawieniu 10 mm przestrzeni pomiędzy oponą a przekładnią wózka (Rys.10). Po wyregulowaniu upewnij się, że zaciski nie wysunęły się z pozycji, trzymając mocno ramę od strony silnika, a jednocześnie sięgając i wypychając zaciski na zewnątrz, aż śruby mocujące i podwozie znajdą się w odległości 1-2 mm od siebie. Po ustaleniu całkowitej szerokości systemu jeźdnego należy dokręcić nakrętki/śruby poprzeczek (Rys.1B) i nakrętki/śruby uruchamiania poprzeczek (Rys.1C) z siłą 9ft lbs/12Nm, aby ustawić szerokość.

Przesuń cały zespół wzdłuż podwozia, aż rolki (Rys.2.A lub Rys.3.A) znajdą się w odległości 20mm od powierzchni środka każdej opony (Rys.5 lub Rys.8). W zestawie znajdują się dwie przekładki 20 mm (30). Całkowicie dokręcić śruby zaciskowe (Rys.16.A) na obu zespołach zaciskowych momentem obrotowym 40 ft lbs/55Nm. Podczas dokręcania jednej śruby zacisku, druga może się lekko poluzować, więc może być konieczne kilka przejść, aby uzyskać pełne dokręcenie obu śrub na każdym zacisku. Wskazówką jest dokręcenie wszystkich śrub zacisku do momentu, aż pojawi się silny opór przed pełnym dokręceniem.

## Instalace - Shark Clamp System (Rys.15) pokračování.

Všimněte si, že zadní matice/šrouby (Rys.16.B a E) není nutné utahovat/otáčet. Tyto součásti jsou na místě pouze pro usnadnění procesu instalace a nepředstavují způsob upevnění.

## Instalace - mechanické součásti (konfigurace AWD)

Chcete-li do karavanu nainstalovat konfiguraci pohonu všech kol, postupujte podle stejných pokynů uvedených v předchozích částech "Instalace - mechanické součásti". Nastavení pohonu AWD probíhá přesně podle stejného postupu, jediným rozdílem je orientace pohyblivých prvků. V konfiguraci AWD musí být pohyblivé prvky pohánějící zadní nápravu vozidla orientovány směrem k přední části přívěsu (viz Rys.12).

Dbejte na to, abyste pečlivě dodržovali část Elektrická/elektronická instalační příručka věnovanou konfiguraci AWD, abyste zajistili, že tyto sestavy motorů budou fungovat tak, jak mají, a nikoli proti sobě.

## Zapojení/odpojení stěhování

U modelů EM4446 Ego Enduro a EGO400 Titanium mover je proces zapnutí manuální. Chcete-li motory zaaretovat, umístěte zaaretovací nástroj (6) na vřeteno motoru (Rys.2.G nebo Rys.3.G) rovnoběžně se zemí v poloze odvrácené od daného kola. Chcete-li motor zaaretovat, otočte zaaretovacím nástrojem o 180 stupňů směrem k příslušnému kolu (viz Rys.4 nebo Rys.7). Pokud jste příčné ovládací tyče namontovali správně, měl by proces zapojení jednoho pohonu následně zapojit i opačnou stranu vozidla.

Mechanismus záběru využívá jednoduchou nadstředovou vačku, která přitlačí válečky na pneumatiky a poté se automaticky zajistí. Pokud byl mover správně namontován, přesně 20 mm od pneumatik při odpojení, bude síla, kterou váleček působí na pneumatiku, dostatečná pro většinu okolností použití (Rys.6 nebo Rys.9).

Poznámka: Bez ohledu na to, ze které strany vozidla ovládáte záběr, by se nástroj měl vždy otáčet směrem ke kolu, aby se zabíral, a směrem od kola, aby se odpojoval.

Chcete-li válec odpojit, jednoduše znovu nasadte nástroj na jedno z vřeten a otočte jej směrem od pneumatiky. Vezměte prosím na vědomí, že zpočátku pocítíte malý odpor při odpojování vačky ze zajištěné polohy; pružina pak vykoná zbytek práce a odtáhne váleček od pneumatiky do zcela odpojené polohy (Rys.5 nebo Rys.8).

## Instalace - elektrické/elektronické komponenty

*Instalaci zapojení, pokyny k provozu a řešení problémů naleznete v příručce dodávané s elektronikou nebo na adrese [www.purpleline.co.uk/qtr-m003](http://www.purpleline.co.uk/qtr-m003).*

## Konserwacja

Należy regularnie sprawdzać, czy na rolkach jednostek napędowych nie ma zanieczyszczeń, które mogły zostać zebrane podczas użytkowania/nieużytkowania.

Należy regularnie sprawdzać odległość między rolkami a oponami. W pozycji neutralnej, całkowicie rozłączonej (Rys.5 lub Rys.8) musi on wynosić 20mm.

Raz w roku należy przeprowadzić konserwację i kontrolę wzrokową ruchomych części przyczepy kempingowej. Kontrola ta musi obejmować wszystkie połączenia śrubowe/nakrętki, kable i połączenia elektryczne oraz smarowanie ruchomych części/stawów.

Długie okresy bezczynności stwarzają możliwość ustania elementów ruchomych. Należy sobie z tym odpowiednio poradzić, stosując smarowanie i usuwając utlenienie, jeśli to konieczne.

NIE UŻYWAJ żadnej formy wody pod ciśnieniem ani czyszczenia chemicznego na swoich przyczepach kempingowych.



Podczas konserwacji systemu motorowerowego należy pamiętać o odłączeniu zasilania elektrycznego, w przeciwnym razie może dojść do porażenia prądem.

W przypadku jakichkolwiek awarii lub problemów należy zwrócić się do dostawcy Caravan Mover.

## Rejestracja produktu

Prosimy o zarejestrowanie swojego wózka kempingowego Quattro® online w ciągu 14 dni od zakupu. Rejestracja jest szybka i prosta, wejdź na stronę [www.purpleline.co.uk/product-registration](http://www.purpleline.co.uk/product-registration). Prosimy o zachowanie oryginalnego dowodu zakupu.

Proszę wypełnić numery seryjne oraz dodatkowe informacje i zachować tę instrukcję na przyszłość. odniesienie. Numery seryjne można znaleźć na etykiecie produktu na każdej sekcji silnika. Numer seryjny może mieć długość do 18 cyfr. Prosimy o zanotowanie numerów seryjnych w poniższej sekcji w celu wykorzystania ich w przyszłości. Numery seryjne będą wymagane do rejestracji produktu.

Numer seryjny silnika.	<input type="text"/>
	<input type="text"/>
Data zakupu	<input type="text"/>
Nazwa sprzedawcy	<input type="text"/>

## Gwarancja

Systemy Quattro® caravan mover objęte są w Wielkiej Brytanii gwarancją tylko na części na okres 7 lat (EGO400 Quattro Titanium) i 5 lat (EM4446 Ego Enduro), która obejmuje pierwsze 12 miesięcy ustawowych oraz dodatkowy przedłużony okres gwarancji wynoszący odpowiednio 6 i 4 lata. Należy pamiętać, że przedłużone okresy gwarancji są oferowane tylko wtedy, gdy Rejestracja Produktu zostanie wypełniona i zwrócona w ciągu 14 dni od daty zakupu. Wszelkie roszczenia gwarancyjne muszą być kierowane za pośrednictwem miejsca zakupu wraz z dowodem zakupu. Gwarancja jest ograniczona do produktów znajdujących się na terenie Wielkiej Brytanii.

W okresie pięciu lat producent, według własnego uznania, wymieni lub naprawi wszelkie części, które uległy awarii, jeśli zostanie to uznane za spowodowane wadą produkcyjną.

Producent nie ponosi odpowiedzialności za jakiegokolwiek straty następcze.

Po sprawdzeniu, w ciągu 5 dni roboczych należy zgłosić w miejscu zakupu elementy, których brakuje przy sprawdzaniu listy zawartości opakowania.

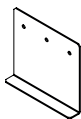
Niniejsza ochrona gwarancyjna jest dostępna wyłącznie dla pierwotnego nabywcy produktu i nie podlega przeniesieniu.

Co nie jest objęte gwarancją:

- Normalne zużycie.
- Uszkodzenia, które uznaje się za spowodowane niewłaściwym użytkowaniem lub zaniedbaniem ze strony klienta.
- Koszt naprawy po przypadkowym uszkodzeniu, nadużyciu produktu lub celowej ingerencji.
- Gwarancja nie jest udzielana na wszelkiego rodzaju użytek handlowy lub komercyjny.
- W wyniku wycofania lub modyfikacji wszystkich urządzeń w danej gamie modelowej.
- Siła wyższa, np. szkody spowodowane przez nadzwyczajne wydarzenia lub okoliczności, na które nikt nie ma wpływu.
- Uszkodzenia w wyniku wniknięcia wody.
- Przewóz lub wszelkie dodatkowe poniesione opłaty, w tym koszty podróży lub pracy.
- Elektryka przyczepy kempingowej, w tym bezpieczniki, wtyczki, akumulatory, połączenia elektryczne i wiązki.
- Zarysowania, wgniecenia, lakier i wykończenia kosmetyczne.
- Uszkodzenie w wyniku nieprawidłowego montażu i/lub nieprzestrzegania instrukcji montażu producenta.
- Ochroną ubezpieczeniową nie zostaną objęte żadne części lub komponenty, które wyszły z produkcji lub nie są już dostępne.
- Ochrona nie zostanie udzielona, jeśli produkt został w jakikolwiek sposób zmodyfikowany.
- Uszkodzenia powstałe w wyniku zastosowania produktu poza zaleceniami producenta dotyczącymi obciążenia.

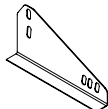
## Opcjonalne adaptéry montażowe

Další níže uvedené adaptéry pro upínání podvozku je možné zakoupit:



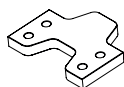
### Nizkoprofilové adaptéry podvozku (č. dílu CM-029)

Pokud je výška rámu vašeho podvozku menší než 140 mm, je nutné tyto desky namontovat, aby se sestava snížila na správnou výšku 185 mm. Může být nutné vrtání podvozku.  
Poznámka: V některých zemích musí instalaci zkontrolovat odborný technik, aby byly dodrženy místní předpisy.



### Úzké podvozkové adaptéry (č. dílu CM-030)

Tyto desky je nutné použít, pokud máte podvozek AL-KO Vario III/AV s tloušťkou rámu menší než 2,8 mm. Musí být umístěny za nápravou pomocí předvrtaných otvorů, které jsou již na podvozku k dispozici; váš pohyblivý prvek tedy musí být namontován za nápravou.



### Rozpěrky 16 mm - 1 pár (č. dílu CM-028/Q)

Pokud má váš podvozek výšku rámu mezi 140 a 185 mm, použijte distanční podložky pro snížení sestavy maveru. Pro dosažení správné výšky rámu 185 mm lze použít maximálně 3 sady distančních podložek. Ve spojení s těmito distančními podložkami je nutné použít sadu prodloužených upínacích šroubů (č. dílu CM-031).  
[Pouze pro použití se svorkami Classic.]



### Sada 8 šroubů M10 x 100 (č. dílu CM-031)

Sada 8 prodloužených upínacích šroubů pro použití s 16mm distančními podložkami.  
[Pouze pro použití s klasickou svorkou.]

## INFORMACJA O ZATWIERDZENIU

	MODEL RUCHU				
<b>APROBATA</b>	QUATTRO600	EGO500	QUATTRO500	EGO400	EM4446
<b>UNECE R10</b>	E1*10R06/01*9650		E1*10R06/01*9651		
<b>ABE</b>	KBA 91897	KBA 91896	KBA 91897	KBA 91509	KBA 91230

Wszystkie modele motorowerów posiadają ogólne dopuszczenie do eksploatacji (ABE) na terenie Niemiec. Zezwolenia zostały wymienione w powyższej tabeli i są odpowiednio oznaczone na odpowiednich produktach. Dokumenty zatwierdzające ABE można zamówić w firmie Purple Line lub pobrać z naszej strony internetowej i muszą one znajdować się w pojeździe na terenie Niemiec. Homologacja zostaje unieważniona, jeżeli produkt jest używany niezgodnie z przeznaczeniem, jak opisano w niniejszej instrukcji.

Wszystkie modele silników zostały zatwierdzone zgodnie ze zharmonizowanymi normami technicznymi dotyczącymi kompatybilności elektromagnetycznej sprzętu samochodowego (UNECE R10 Add.9 Rev.6). Aprobaty są wymienione w tabeli powyżej i są odpowiednio oznaczone na odpowiednich produktach. Zatwierdzenie traci ważność, jeśli produkt jest używany niezgodnie z przeznaczeniem, jak opisano w niniejszej instrukcji.

Podczas montażu jakiegokolwiek systemu Mover należy przestrzegać przepisów technicznych i administracyjnych kraju, w którym zarejestrowany jest pojazd. Wszelkie modyfikacje urządzenia lub zastosowanie części zamiennych i akcesoriów ważnych dla działania systemu, które nie są oryginalnymi częściami Purple Line, oraz nieprzestrzeganie instrukcji montażu i obsługi spowoduje anulowanie gwarancji i zwolnienie Purple Line z wszelkich roszczeń z tytułu odpowiedzialności. Ponadto zostanie anulowana homologacja eksploatacyjna urządzenia.

## INFORMACJE KONTAKTOWE

UK Purple Line Limited  
Peninsula Business Centre  
Wherstead, Suffolk  
IP9 2BB, United Kingdom  
Tel: +44 (0) 1473 601200  
E-mail: [info@purpleline.co.uk](mailto:info@purpleline.co.uk)

EU Purple Line GmbH  
Jägerhofstraße 29,  
Düsseldorf,  
40479, Deutschland  
Tel: +44 (0) 1473 601200  
E-mail: [info@purpleline.co.uk](mailto:info@purpleline.co.uk)

# DEKLARACJA ZGODNOŚCI UE

**Výrobce:**

Purple Line Limited  
Peninsula Business Centre,  
Wherstead, Suffolk, IP9 2BB,  
United Kingdom

**Zplnomocněný zástupce:**

Purple Line GmbH  
Jägerhofstraße 29,  
40479 Düsseldorf,  
Germany

**Předměty prohlášení:****Označení výrobku:  
(Referenční kód)**

Quattro Caravan Motor Movers with  
Quattro Smart Electronics (QUATTRO400-001)

**Modely:**

QUATTRO500, QUATTRO500/S, QUATTRO600, QUATTRO600/S  
EGO500, EGO500/S, EGO400, EGO400/S, EM4446, EM4446/S

Purple Line Limited, deklaruje na našu výlučnou odpověď, že powyższe produkty są zgodne z zasadniczymi wymaganiami następujących dyrektyw Unii Europejskiej, gdy są używane zgodnie z przeznaczeniem:

Dyrektywa o kompatybilności elektromagnetycznej [EMC]  
(2014/30/EU) ETSI EN301489-1 V2.2.0 (2017-03)  
ETSI EN301489-17 V3.2.0 (2017-03)  
ETSI EN301489-9

Dyrektywa w sprawie urządzeń radiowych  
[RED] (2014/53/UE) ETSI EN300328  
V2.2.0 (2017-11) EN 62479: 2010

Ograniczenie stosowania niektórych niebezpiecznych substancji [RoHS] Dyrektywa  
(2011/65/EU) EN IEC 63000:2018

**Emitent:**

Purple Line Limited

**Umístění:**

Suffolk, United Kingdom

**Oprávněný signatář:**

Jonathan Harrison, Managing Director

**Datum:**

09/12/2022

**Podpis:**

DOC-CE-QUATTRO400-001

## EU DECLARATION OF CONFORMITY

**Výrobce:**

Purple Line Limited  
Peninsula Business Centre,  
Wherstead, Suffolk, IP9 2BB,  
United Kingdom

**Zplnomocněný zástupce:**

Purple Line GmbH  
Jägerhofstraße 29,  
40479 Düsseldorf,  
Germany

**Předměty prohlášení:****Označení výrobku:  
(Referenční kód)**

Quattro Caravan Motor Movers with  
Basic Auto Engage Electronics (CM-071)

**Modely:**

QUATTRO500, QUATTRO500/B, QUATTRO600, QUATTRO600/B  
EGO500, EGO500/B, EGO400, EGO400/B, EM4446, EM4446/B

Purple Line Limited, deklaruje na naszą wyłączną odpowiedzialność, że powyższe produkty są zgodne z zasadniczymi wymaganiami następujących dyrektyw Unii Europejskiej, gdy są używane zgodnie z przeznaczeniem:

Dyrektywa o kompatybilności elektromagnetycznej [EMC]  
(2014/30/EU) ETSI EN 301 489-1 V2.2.3  
EN 55032:2015  
EN 61000-3-2:2014  
EN 61000-3-3:2013  
EN 55035:2017

Dyrektywa w sprawie urządzeń radiowych [RED]  
(2014/53/EU) EN IEC 63000:2018  
EN IEC 63000:2018

**Emitent:**

Purple Line Limited

**Umístění:**

Suffolk, United Kingdom

**Oprávněný signatář:**

Jonathan Harrison, Managing Director

**Datum:**

09/12/2022

**Podpis:**

DOC-CE-CM071

**Blank page**



**Purple Line Ltd, Unit 1,  
Peninsula Business Centre,  
Wherstead,  
Suffolk  
IP9 2BB**

**Web: [www.quattromover.com](http://www.quattromover.com)  
Tel: +44 (0)1473 601200  
Email: [info@purpleline.co.uk](mailto:info@purpleline.co.uk)**

**UK**

Photographs & diagrams for illustration purposes only. Actual product may differ slightly. All weights & dimensions are approximate. The manufacturer reserves the right to change product specification without prior notice. E & OE.

**DE**

Fotos und Diagramme dienen nur zur Veranschaulichung. Das tatsächliche Produkt kann leicht abweichen. Alle Gewichte und Abmessungen sind ungefähre Angaben. Der Hersteller behält sich das Recht vor, Produktspezifikationen ohne vorherige Ankündigung zu ändern. E & OE.

**NL**

Foto's en diagrammen dienen alleen ter illustratie. Het werkelijke product kan licht afwijken. Alle gewichten en afmetingen zijn bij benadering. De fabrikant behoudt zich het recht voor om productspecificaties zonder voorafgaande kennisgeving te wijzigen. E & OE.

**FR**

Les photographies et les diagrammes sont fournis à titre d'illustration uniquement. Le produit réel peut différer légèrement. Tous les poids et dimensions sont approximatifs. Le fabricant se réserve le droit de modifier les spécifications du produit sans préavis. E & OE.

**ES**

Fotografías y diagramas sólo con fines ilustrativos. El producto real puede diferir ligeramente. Todos los pesos y dimensiones son aproximados. El fabricante se reserva el derecho de modificar las especificaciones del producto sin previo aviso. E & OE.

**DK**

Fotografier og diagrammer er kun til illustration. Det faktiske produkt kan afvige en smule. Alle vægte og dimensioner er omtrentlige. Producenten forbeholder sig ret til at ændre produktspecifikationerne uden forudgående varsel. E & OE.

**PL**

Zdjęcia i diagramy tylko do celów ilustracyjnych. Rzeczywisty produkt może się nieznacznie różnić. Wszystkie wagi i wymiary są przybliżone. Producent zastrzega sobie prawo do zmiany specyfikacji produktu bez wcześniejszego powiadomienia. E & OE.